



ASSEMBLY INSTRUCTIONS



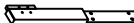


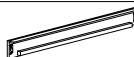

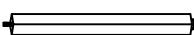
ITEM 305-S426-270-271-406

CAL KING BED

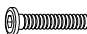






Thank you for purchasing this quality product. Be sure to check all packing material carefully for small hardware which may have come loose inside the carton during shipment. Identify and count all hardware and compare with the hardware list below.

When placing furniture on non-carpeted flooring, HMI recommends the use of floor protection such as an area rug or furniture pads. Area rugs and padding not included with purchase.

PARTS LIST

NO.	Description	Sketch	Quantity
1	Headboard Panel		1
2	Headboard(legs-left)		1
3	Headboard(legs-right)		1
4	Footboard Panel		1
5	Safety Rail		1
6	Side Rail		2
7	Slats		5
8	Center leg		10

HARDWARE LIST

NO.	Description	Sketch	Quantity
A	Allen bolt Ø5/16"x45mm		10
B	Hex bolt Ø5/16"x25mm		8
C	Flat washer Ø5/16"x19x1.5mm		18
D	Lock washer Ø5/16"		18
E	Allen key 4mm		1
F	Open Wrench 13mm		1
G	Wood screw #8X35mm		10

TOLL SREQUIRED (NOT PROVIDED)



PHILLIPSSCREWDRIVER



ASSEMBLY INSTRUCTIONS

ITEM 305-S426-270-271-406

CAL KING BED

