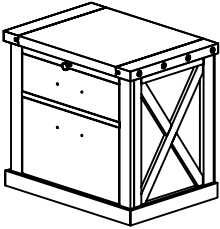
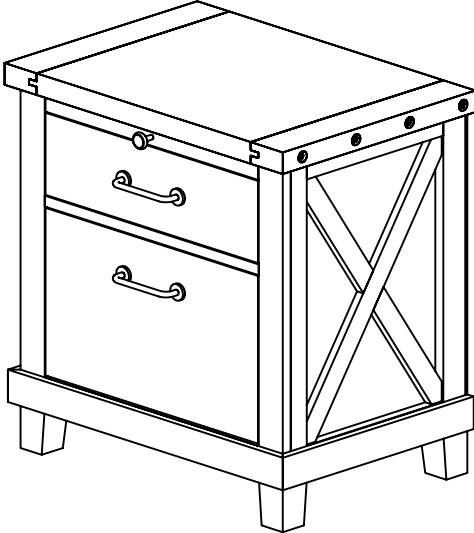






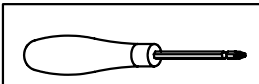


YOSEMITE NIGHTSTAND ASSEMBLY INSTRUCTIONS



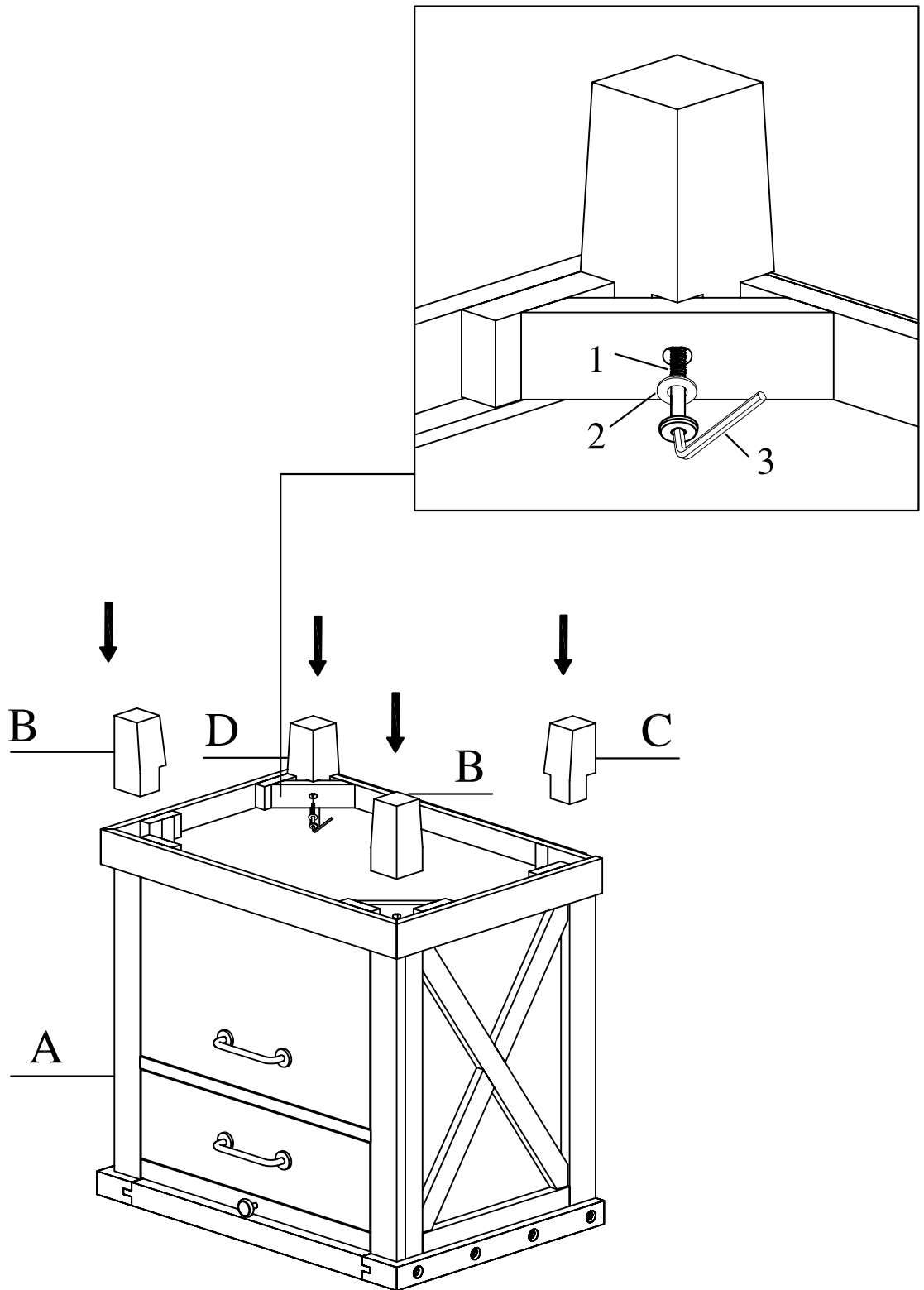
| | |
|--|---|
| <p>A. NIGHTSTAND 1PC</p>  | <p>NIGHTSTAND ASSEMBLED</p>  |
| <p>B. FRONT LEGS 2PCS</p>  | |
| <p>C. BACK LEFT LEG 1PC</p>  | |
| <p>D. BACK RIGHT LEG 1PC</p>  | |

HARDWARE ARE PACKED IN BOX

| | | | | | | | | |
|---|--------------------------|---|----------|--|-----------|----------|--------------------|--|
| 1 | ALLEN BOLT M6 x 50 MM | 04 PCS | 2 | WASHER M8 | 04 PCS | 3 | ALLEN KEY (4MM) | 01 PC |
|  | |  | |  | | | | |
| <p>TOOL REQUIRED</p> <p>PHILLS HEAD SCREW DRIVER NOT PROVIDED</p> | | | | | | | |  |

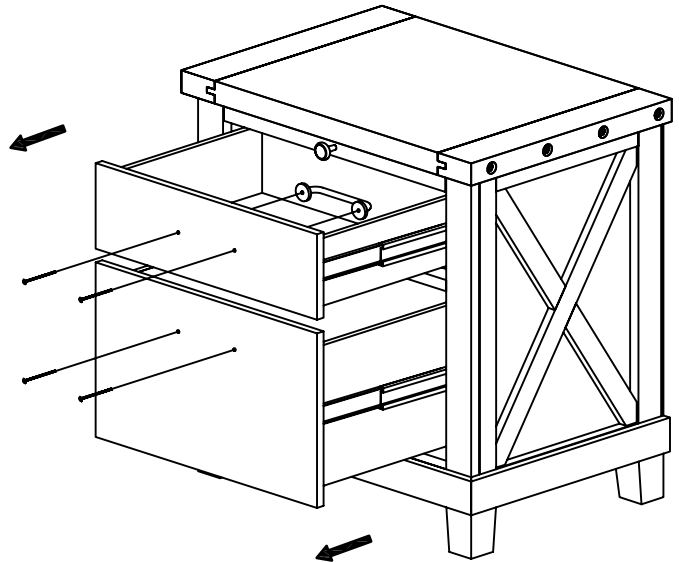
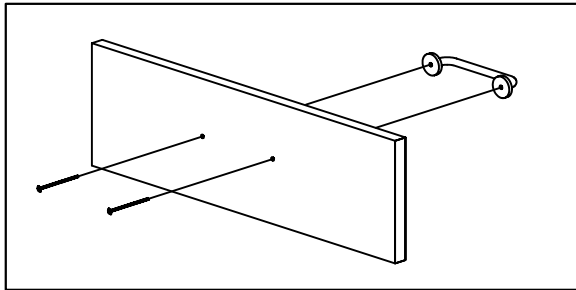
STEP 1:

FASTEN THE LEG (B),(C),(D) TO THE NIGHTSTAND (A), WITH BOLTS (1) AND WASHERS (2).



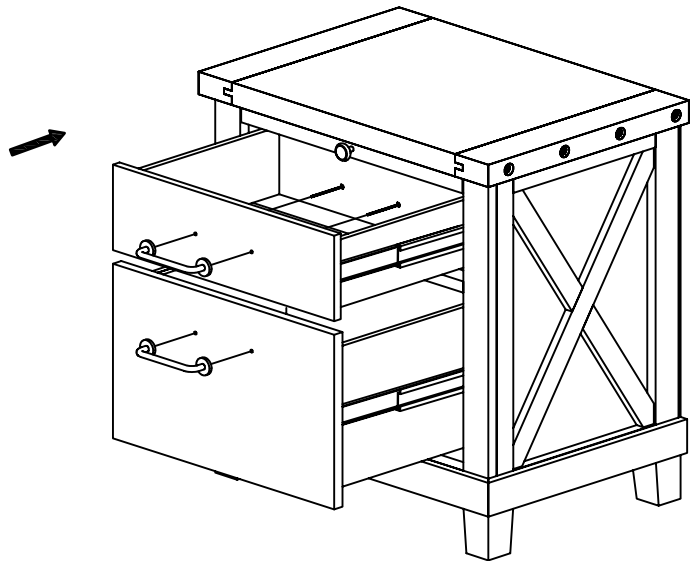
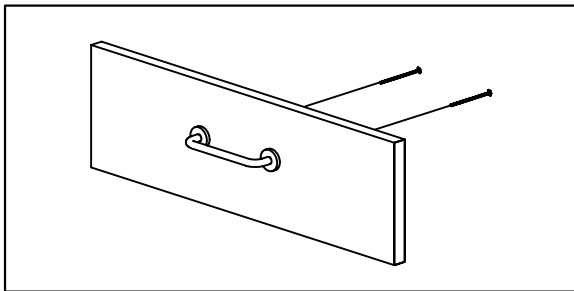
STEP 2:

PULL OUT AND REMOVE HANDLE.



STEP 3:

ASSEMBLE HANDLE.



STEP 4:

ASSEMBLY COMPLETE.

