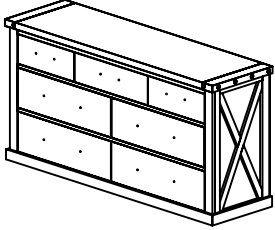
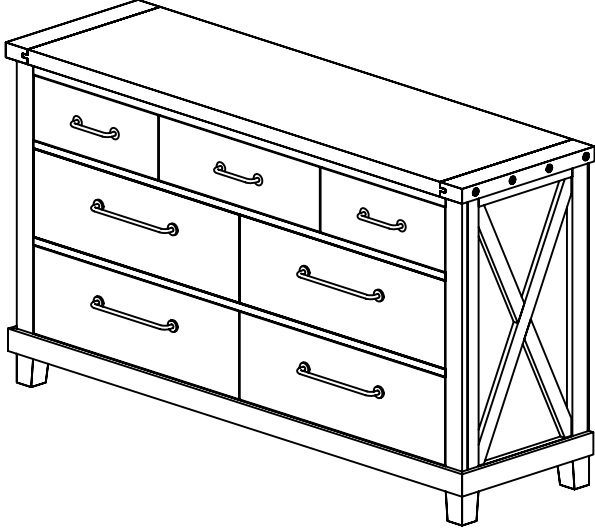


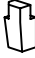







# YOSEMITE DRESSER ASSEMBLY INSTRUCTIONS



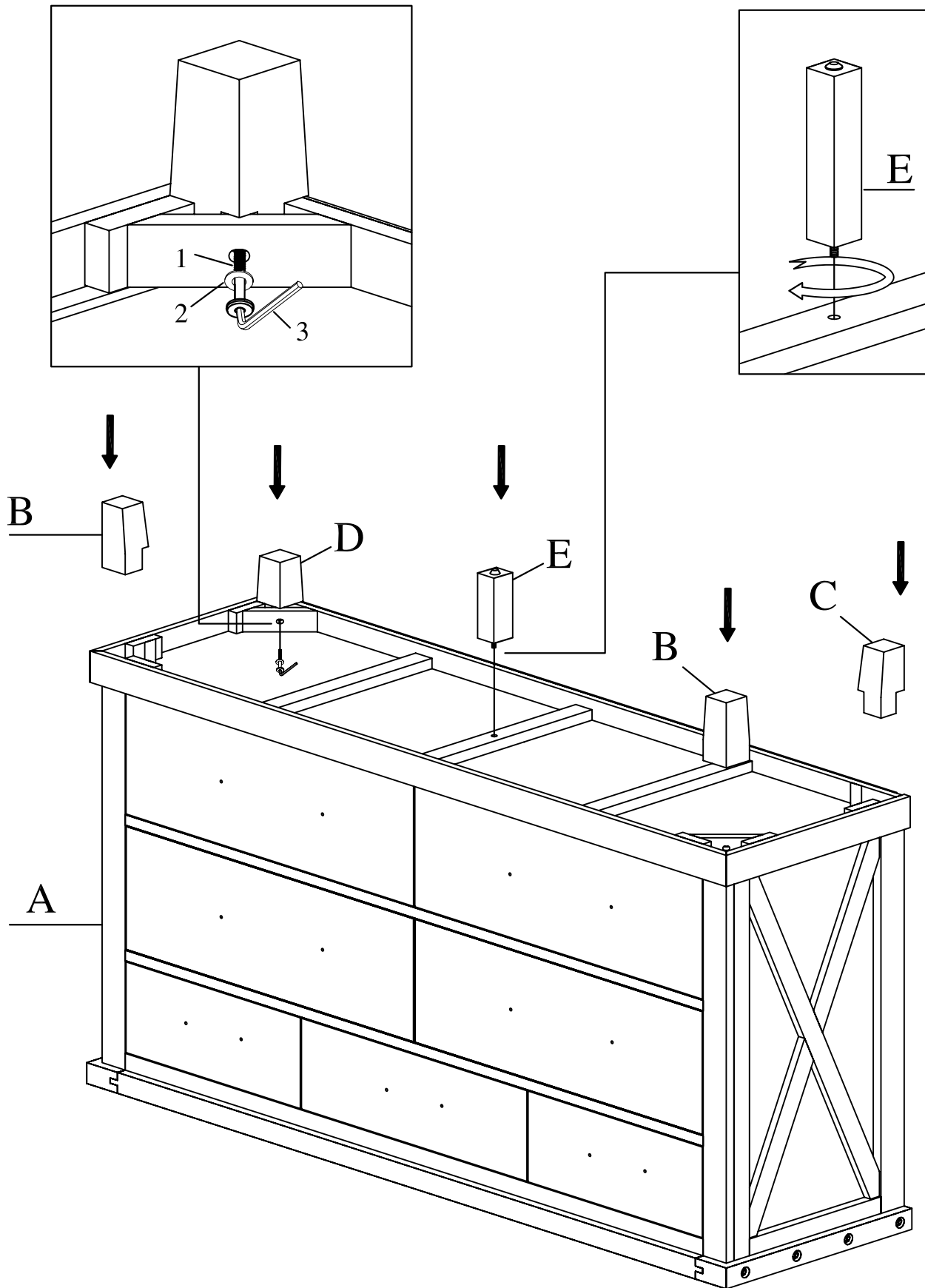
|  |  |
|--|--|
| <p>A. DRESSER 1PC</p>           | <p style="text-align: center;">DRESSER ASSEMBLED</p>  |
| <p>B. FRONT LEGS 2PCS</p>       |  |
| <p>C. BACK LEFT LEG 1PC</p>    |  |
| <p>D. BACK RIGHT LEG 1PC</p>  |  |
| <p>E. LEG 1PC</p>             |  |

## HARDWARE ARE PACKED IN BOX

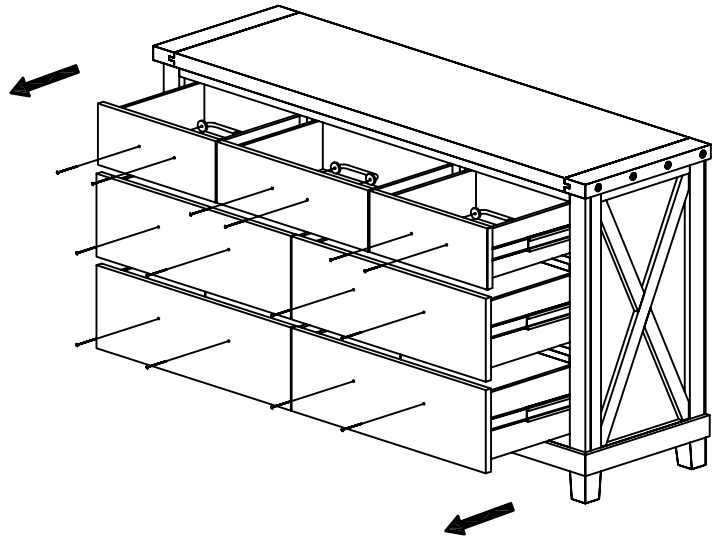
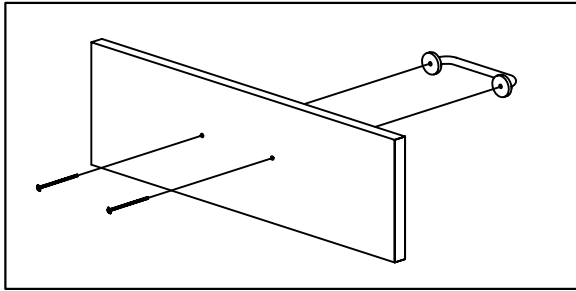
|   |                          |   |          |   |           |          |  |          |
|---|--------------------------|---|----------|---|-----------|----------|--|----------|
| <b>1</b>  | ALLEN BOLT<br>M6 x 50 MM | 04<br>PCS   | <b>2</b> | WASHER<br>M8  | 04<br>PCS | <b>3</b> | ALLENKEY<br>(4MM)  | 01<br>PC |
|  |                          |  |          |  |           |          |  |          |
| <b>TOOL REQUIRED</b>  |                          |   |          |   |           |          |  |          |
| PHILLS HEAD SCREW<br>DRIVER NOT PROVIDED  |                          |   |          |   |           |          |  |          |

**STEP 1:**

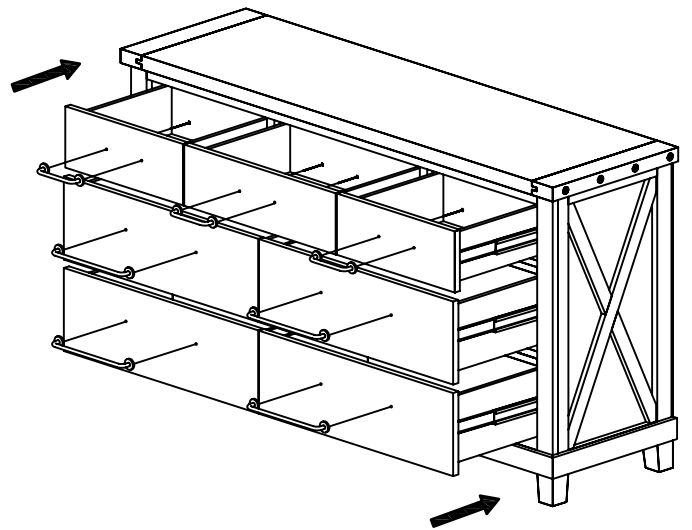
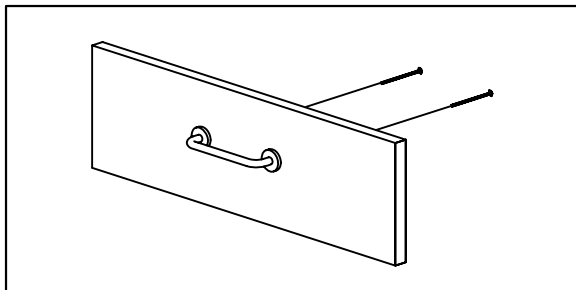
**FASTEN THE LEG (B),(C),(D),(E) TO THE DRESSER (A), WITH BOLTS (1) AND WASHERS (2).**



**STEP 2:**  
PULL OUT AND REMOVE HANDLE.



**STEP 3:**  
ASSEMBLE HANDLE.



**STEP 4:**  
ASSEMBLY COMPLETE.

