



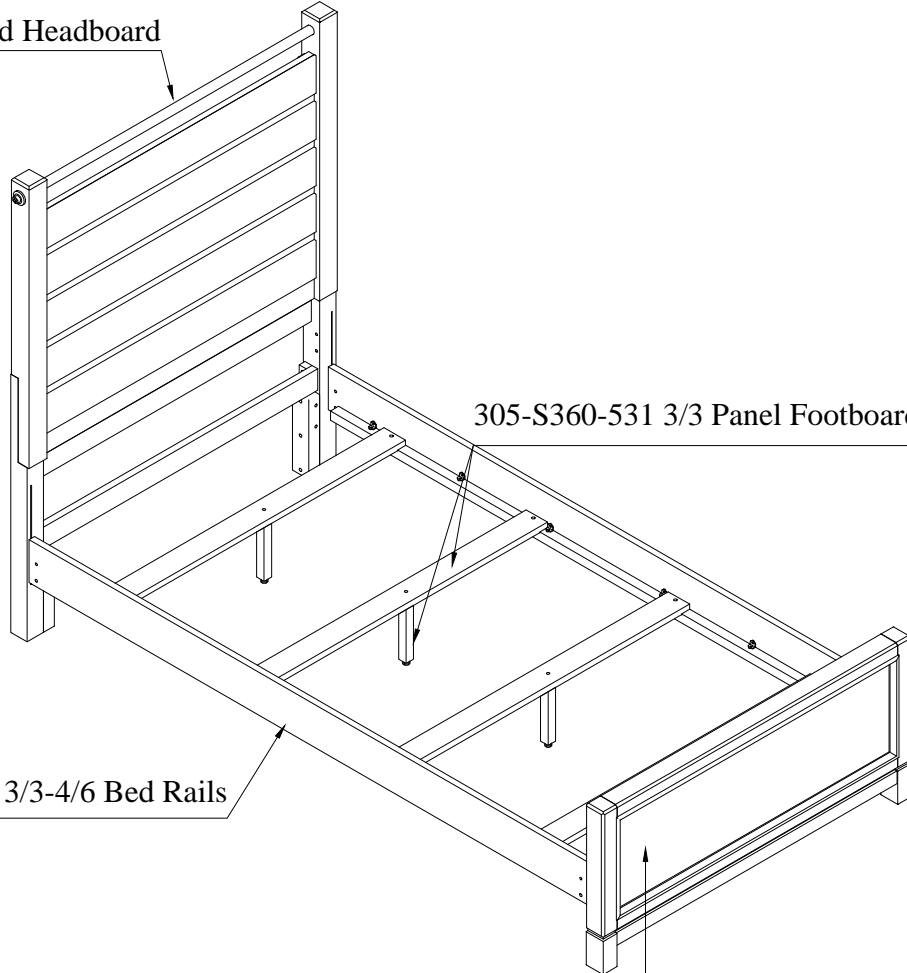
ASSEMBLY INSTRUCTIONS

ITEM NO: 305-S360-538 / 531 / 401

DESCRIPTION: 3/3 METAL ROD BED

Thank you for purchasing this quality product. Be sure to check all packing material carefully for small Hardware which may have come loose inside the carton during shipment. Identify and count all Hardware and compare with the Hardware List Below.

305-S360-538 3/3 Metal Rod Headboard



305-S360-531 3/3 Panel Footboard W/Slats

305-S360-401 3/3-4/6 Bed Rails

305-S360-531 3/3 Panel Footboard W/Slats

HARDWARE LIST (For 305-S360-531 3/3 Panel Footboard W/Slats)				
No.	Drawing	Descriptions	Size	Qty.
13		Screw	M4 x 32mm	8 PCS

TOOLS REQUIRED (NOT PROVIDED)

PHILLIPS SCREWDRIVER

PART LIST

Drawing	Descriptions	Qty.
	3/3 Metal Rod Headboard (305-S360-538)	1 PC
	3/3 Panel Footboard W/Slats (305-S360-531)	1 SET
	3/3-4/6 Bed Rails (305-S360-401)	2 PCS

MADE IN VIET NAM

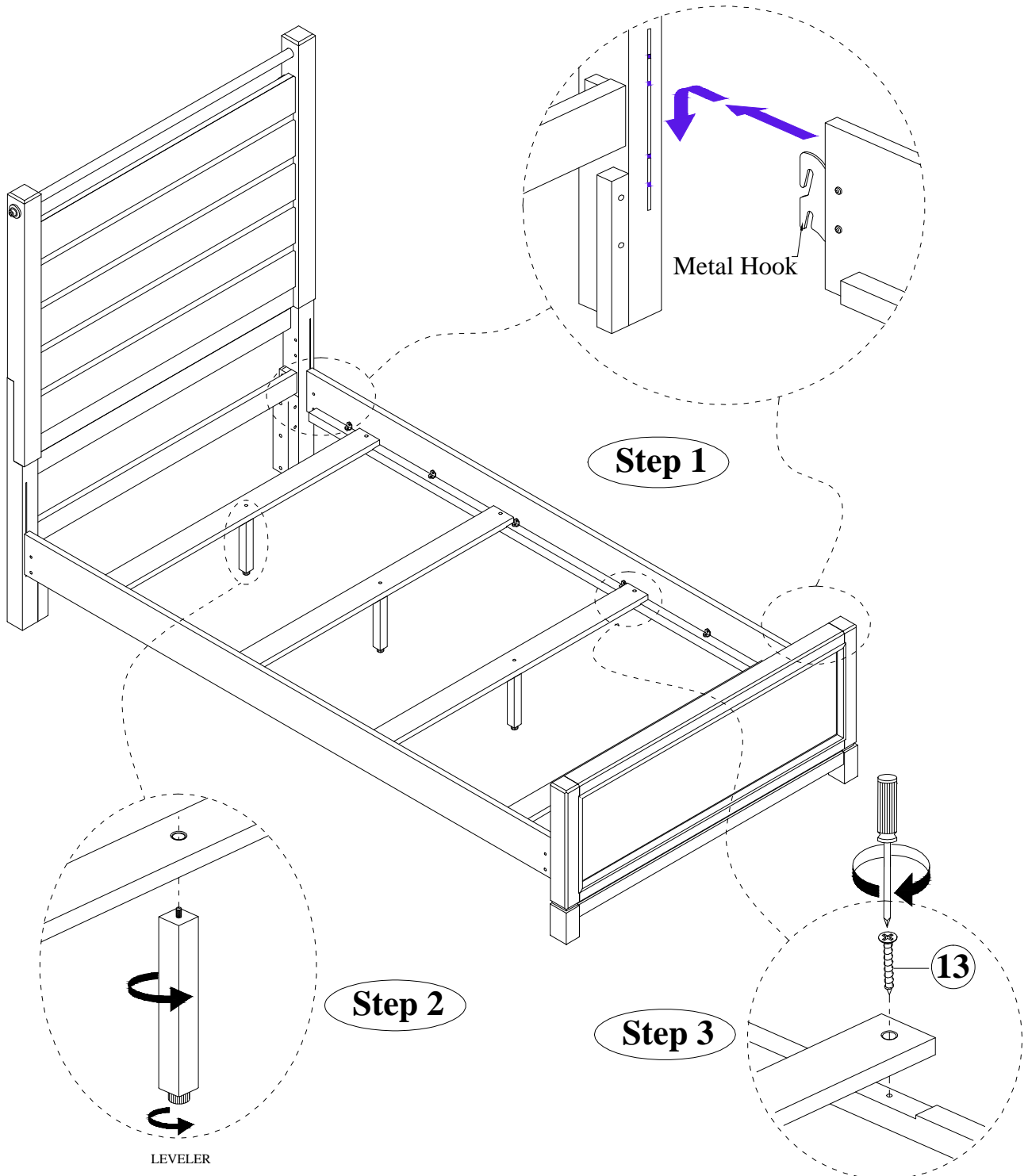


LIVING SPACES

ASSEMBLY INSTRUCTIONS

ITEM NO: 305-S360-538 / 531 / 401

DESCRIPTION: 3/3 METAL ROD BED



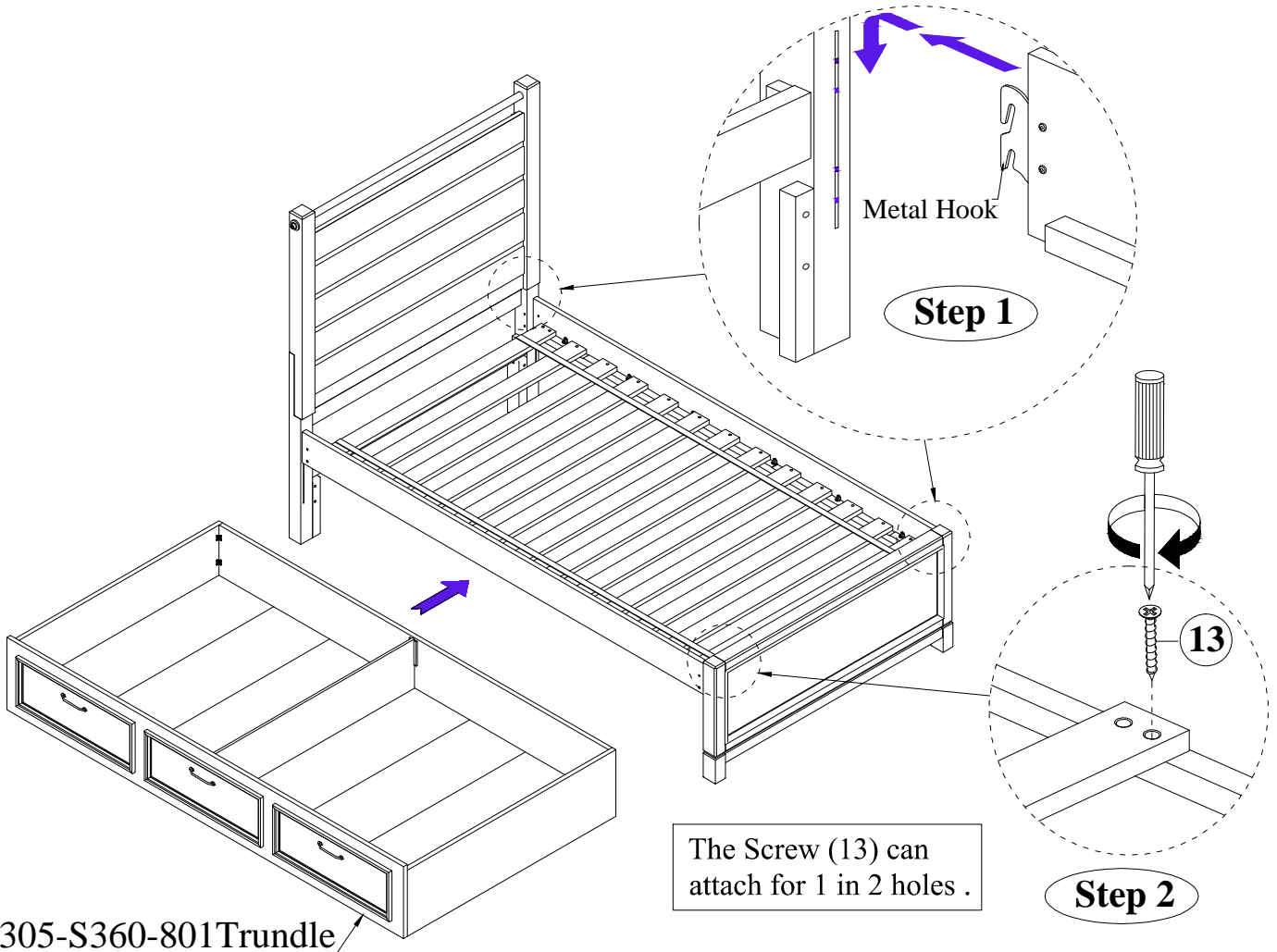
MADE IN VIET NAM



ASSEMBLY INSTRUCTIONS

ITEM NO: 305-S360-538 / 531 / 401 / 801

DESCRIPTION: 3/3 METAL ROD BED & TRUNDLE & 3/3 SLAT ROLL



305-S360-801 Trundle

The Screw (13) can attach for 1 in 2 holes .

HARDWARE LIST (For SLATR-33)				
No.	Drawing	Descriptions	Size	Qty.
13		Screw	M4 x 32mm	26 PCS
TOOLS REQUIRED (NOT PROVIDED)				
PHILLIPS SCREWDRIVER				

PART LIST		
Drawing	Descriptions	Qty.
	3/3 Metal Rod Headboard (305-S360-538)	1 PC
	3/3 Panel Footboard W/Slats (305-S360-531)	1 PC
	3/3-4/6 Bed Rails (305-S360-401)	2 PCS
	SLATR-33	1 SET
	Trundle (305-S360-801)	1 PC

MADE IN VIET NAM



ASSEMBLY INSTRUCTIONS

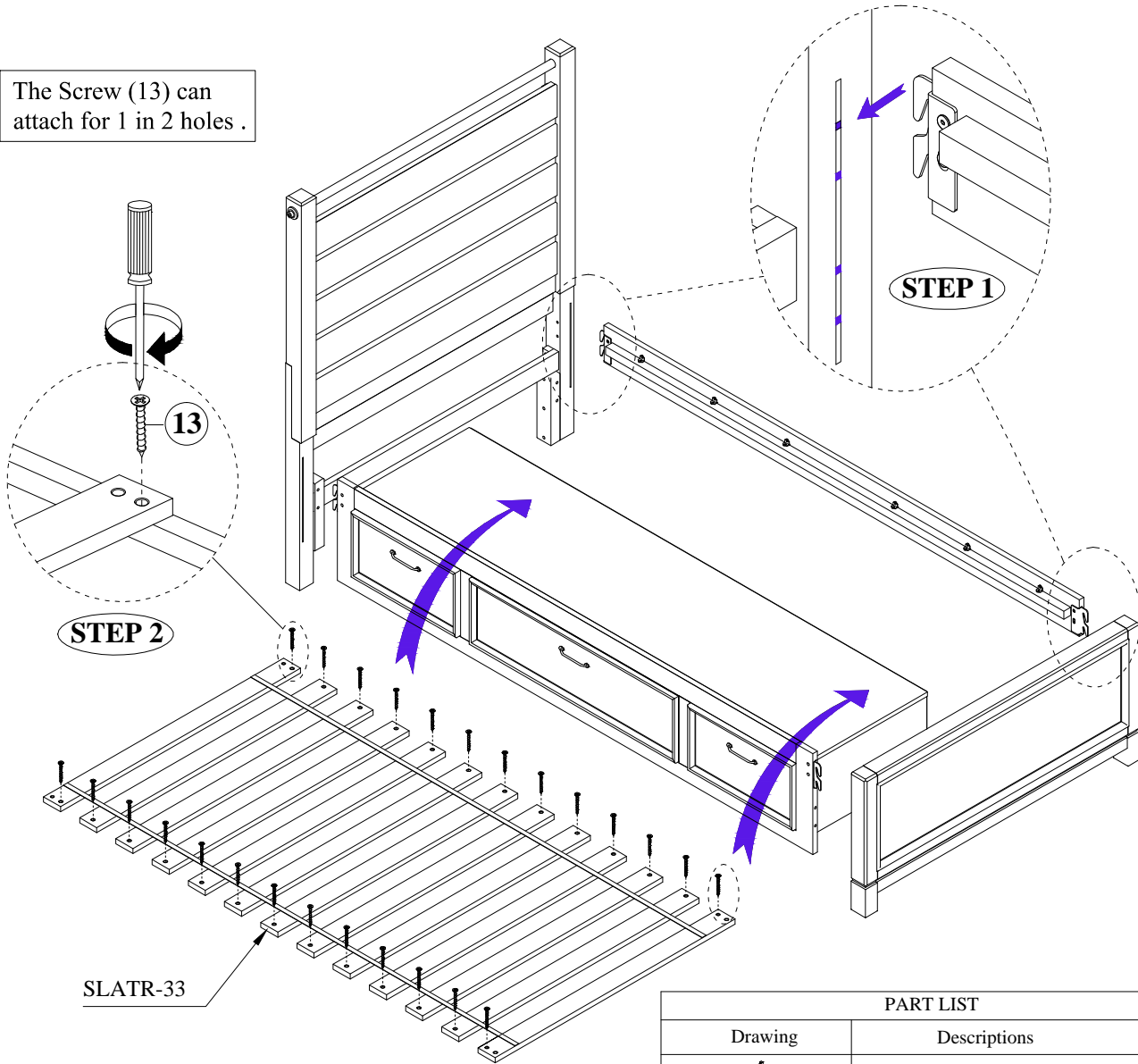
ITEM NO: 305-S360-538 / 531 / 643

ITEM NO: SLATR-33

DESCRIPTION: 3/3 METAL ROD BED

STORAGE RAIL & 3/3 SLAT ROLL

The Screw (13) can attach for 1 in 2 holes .



SLATR-33

PART LIST

Drawing	Descriptions	Qty.
	3/3 Metal Rod Headboard (305-S360-538)	1 PC
	3/3 Panel Footboard W/Slats (305-S360-531)	1 PC
	Side Rail (305-S360-643)	1 PC
	Side Storage Rail (305-S360-643)	1 PC
	SLATR-33	1 SET

HARDWARE LIST (For SLATR-33)

No.	Drawing	Descriptions	Size	Qty.
13		Screw	M4 x 32mm	26 PCS

TOOLS REQUIRED (NOT PROVIDED)

	PHILLIPS SCREWDRIVER
--	----------------------

MADE IN VIET NAM