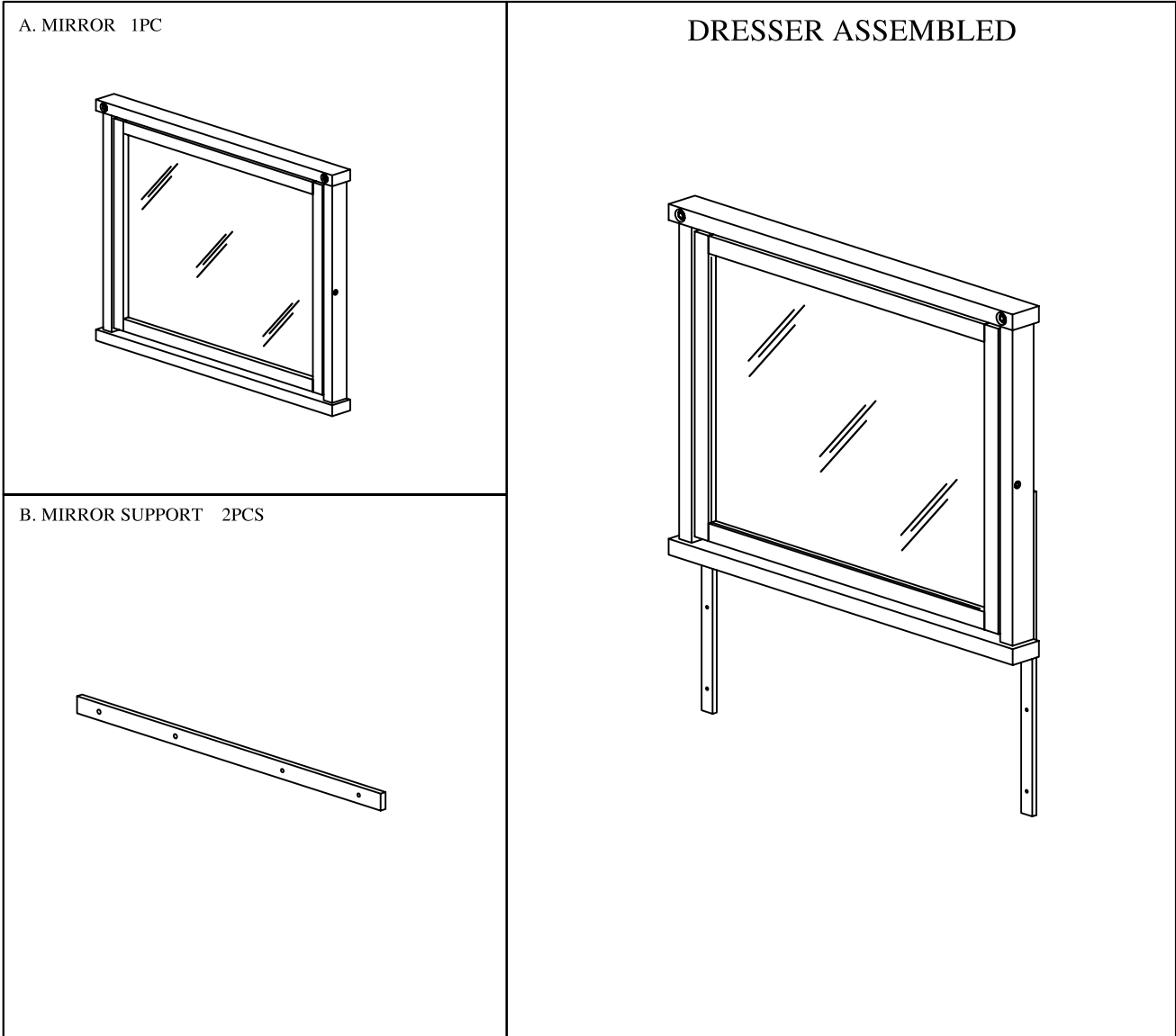


YOSEMITE MIRROR ASSEMBLY INSTRUCTIONS

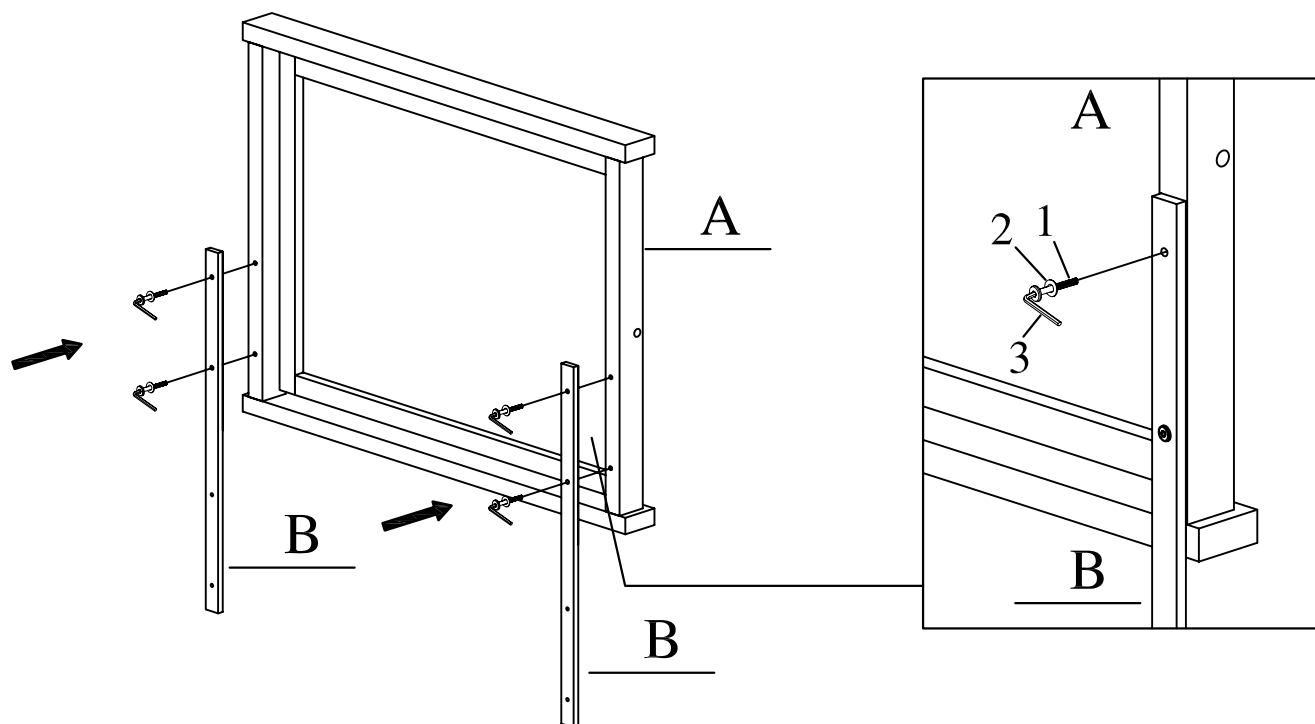


HARDWARE ARE PACKED IN BOX

1	ALLEN BOLT M6 x 40 MM	08 PCS	2	WASHER M8	08 PCS	3	ALLENKEY (4MM)	02 PCS	
<p>TOOL REQUIRED</p> <p>PHILLS HEAD SCREW DRIVER NOT PROVIDED</p>									

STEP 1:

ATTACH THE MIRROR SUPPORT (B), TO THE MIRROR (A), WITH BOLTS (1) AND WASHERS (2).



STEP 2:

ATTACH THE MIRROR , TO THE DRESSER WITH BOLTS (1) AND WASHERS (2).

