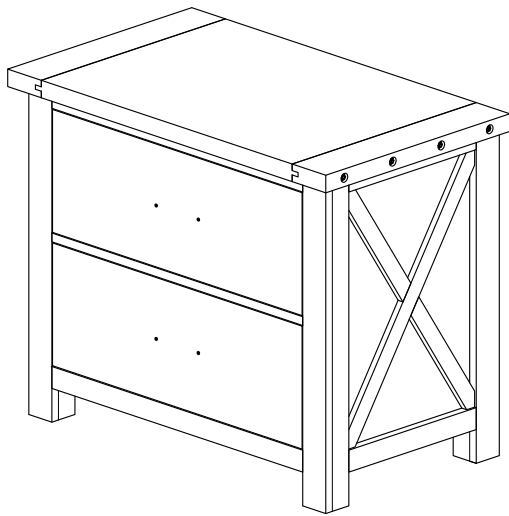


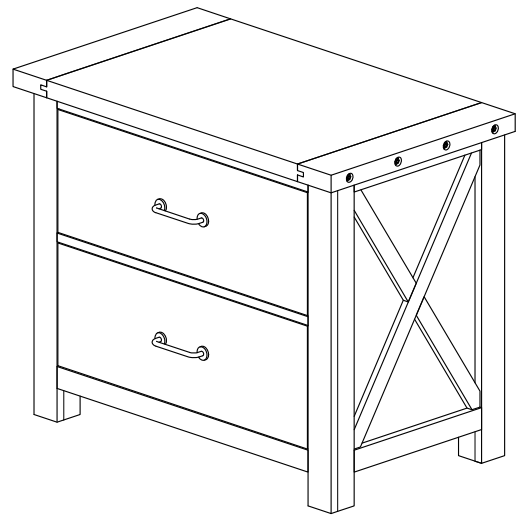
YOSEMITE LATERAL FILE ASSEMBLY INSTRUCTIONS



A. LATERAL FILE 1PC



YOSEMITE LATERAL FILE
ASSEMBLED

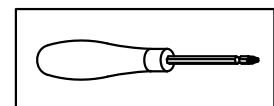


HARDWARE ENCLOSED IN BOX

1	HANDLE U128	02 PCS	2	BOLT (M4 x 35 MM)	04 PCS
					

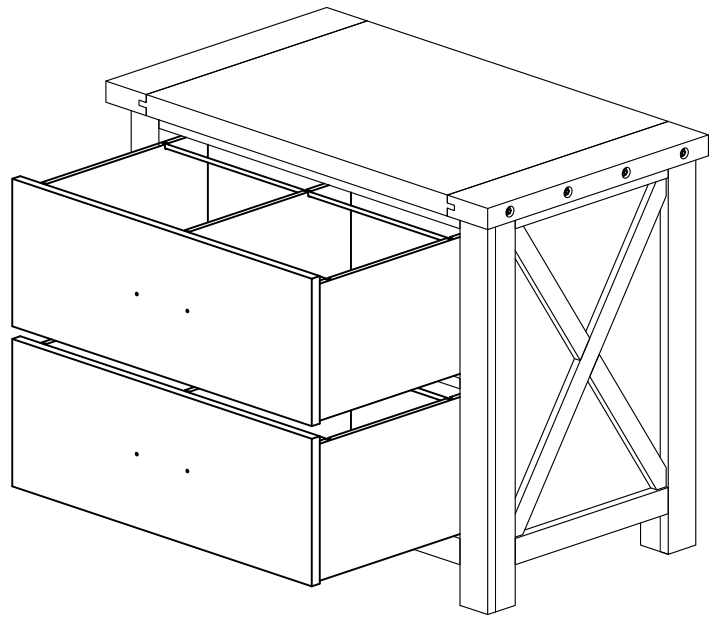
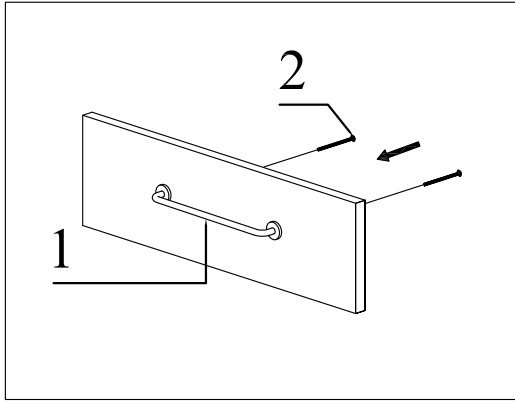
TOOL REQUIRED

PHILLIPS HEAD SCREW
DRIVER NOT PROVIDED



STEP 1:

PULL OUT THE FILE DRAWERS, AND ATTACH THE HANDLE (1) WITH TWO BOLTS (2). REPEAT THIS STEP FOR BOTH DRAWERS.



STEP 2:

ASSEMBLY COMPLETE.

