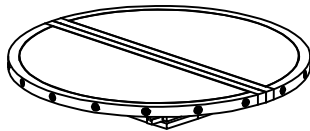


# YOSEMITE ROUND TABLE ASSEMBLY INSTRUCTIONS

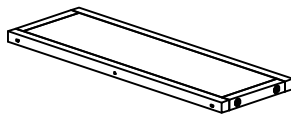


## BOX#1

### A. TABLE TOP 1PC

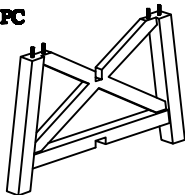


### B. EXTENSION 1PC

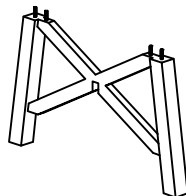


## BOX#2

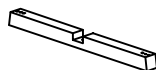
### C. FRAME LEG A 1PC



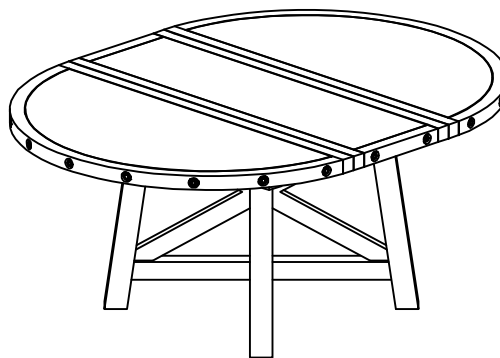
### D. FRAME LEG B 1PC



### E. CROSS BAR 1PC



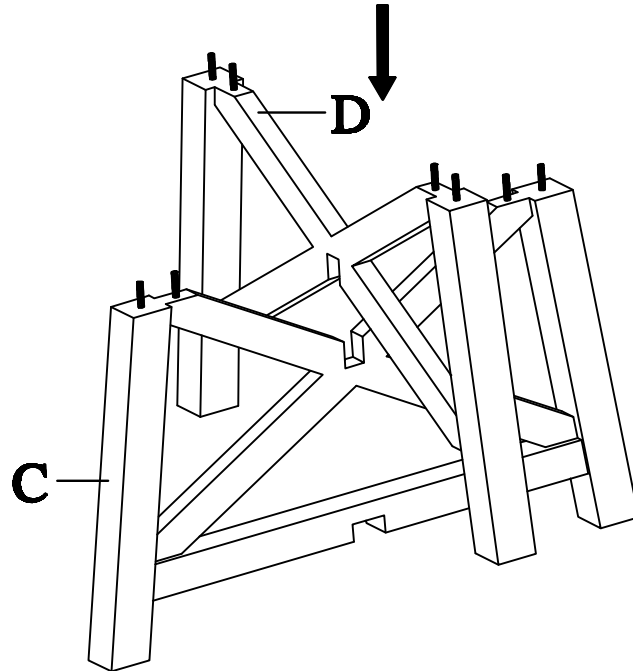
## ROUND TABLE ASSEMBLED



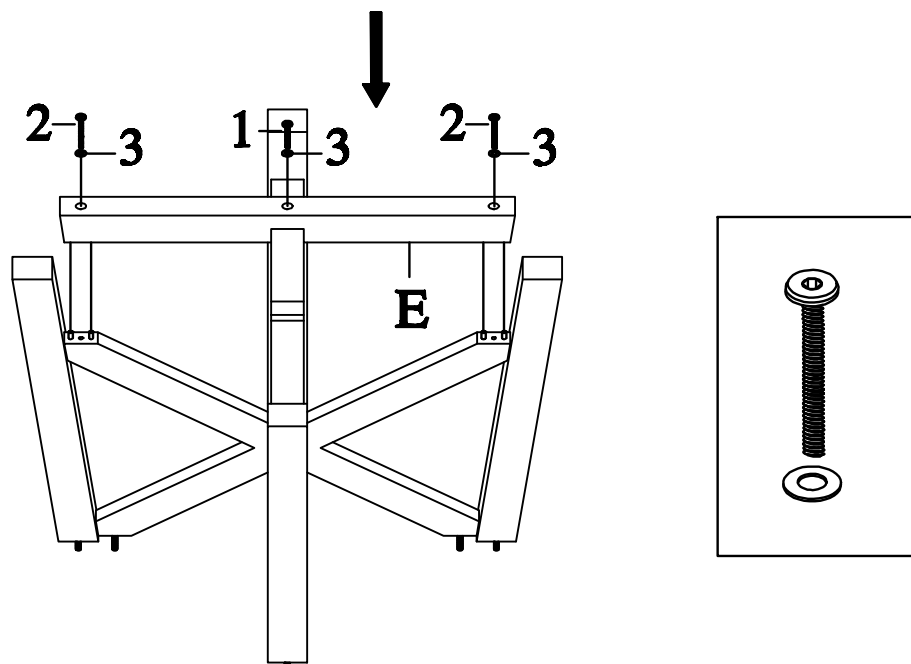
## HARDWARE ARE PACKED IN BOX 1

<b>1</b>	<b>ALLEN BOLT</b> M8 x 30MM	01 PCS	<b>2</b>	<b>ALLEN BOLT</b> M8 x 70MM	02 PCS	<b>3</b>	<b>WASHER</b> M8	11 PCS	<b>4</b>	<b>SPRING WASHER</b> M8	08 PCS	<b>5</b>	<b>ALLEN KEY</b> (4MM)	01 PC
<b>6</b>	<b>HEXAGON NUTS</b> M8	06 PCS	<b>7</b>	<b>SPANNER</b> (N13)	01 PC	<b>TOOL REQUIRED</b>  <b>PHILLS HEAD SCREW DRIVER NOT PROVIDED</b>								

**STEP 1:**  
**ATTACH FRAME LEG (D) TO FRAME LEG (C)**

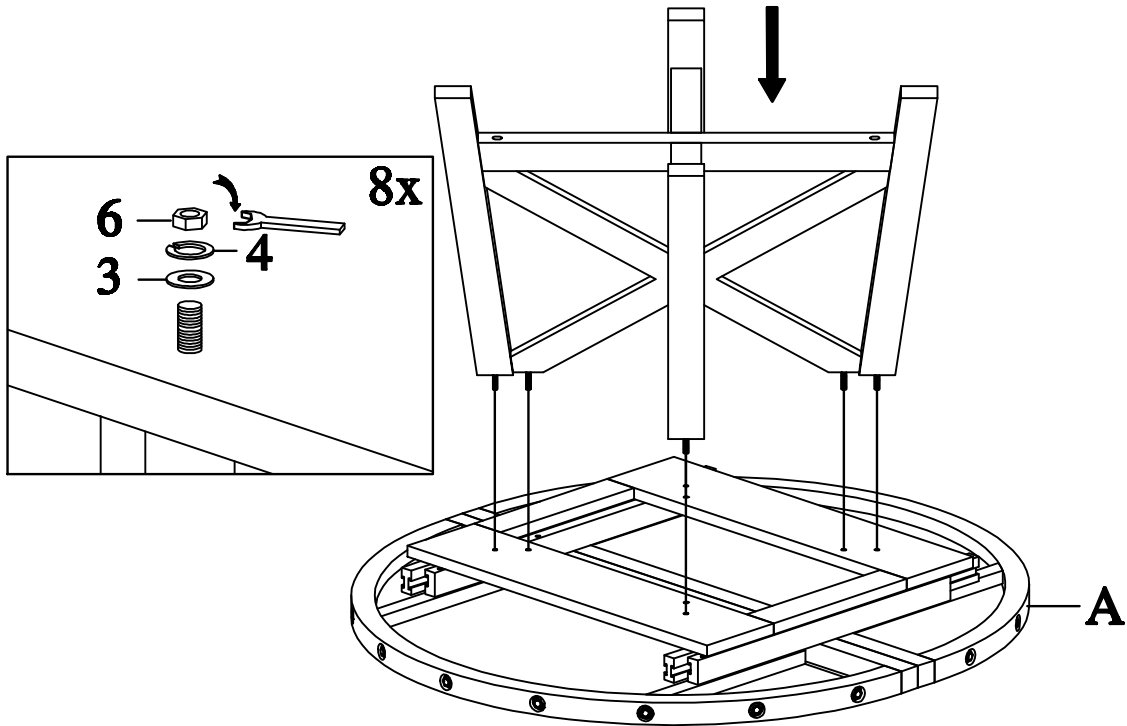


**STEP 2:**  
**ATTACH CROSS BAR (E) TO THE UNIT. FASTEN WITH BOLT (1), (2) AND WASHER (3).**

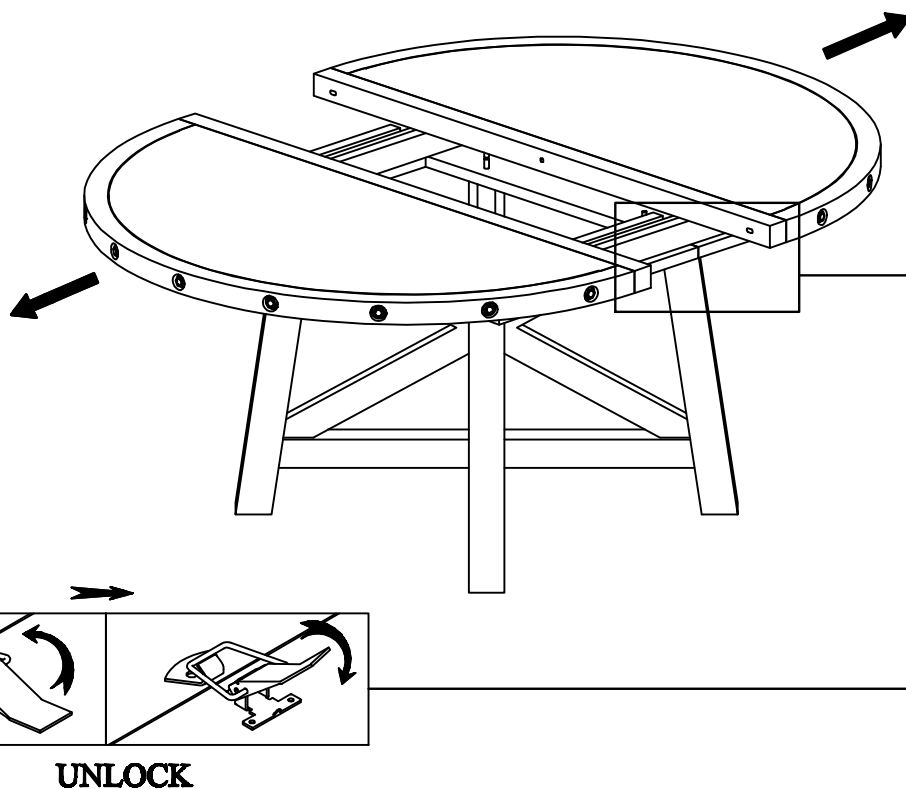


**STEP 3:**

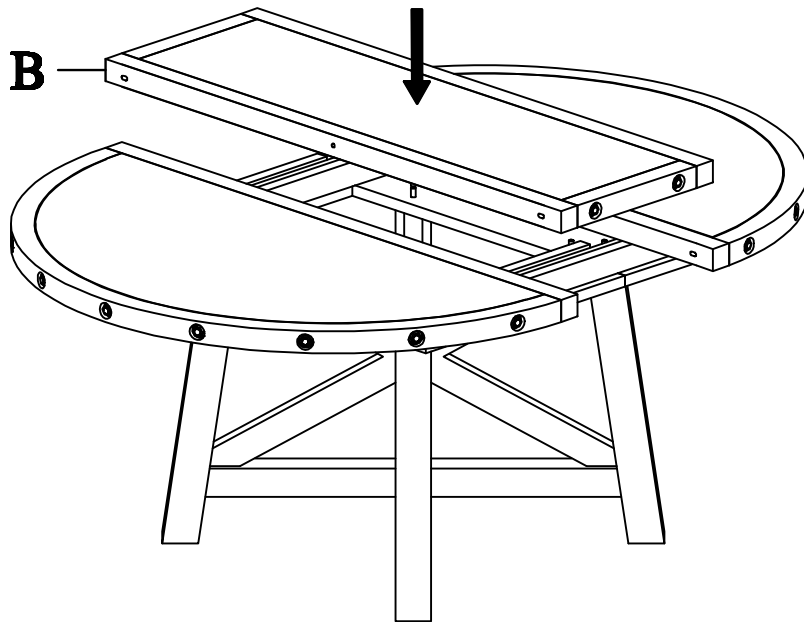
**ATTACH THE UNIT LEG TO THE TOP TABLE (A). FASTEN WITH HEXAGON NUTS (6), AND WASHER (3), SPRING WASHER (4).**



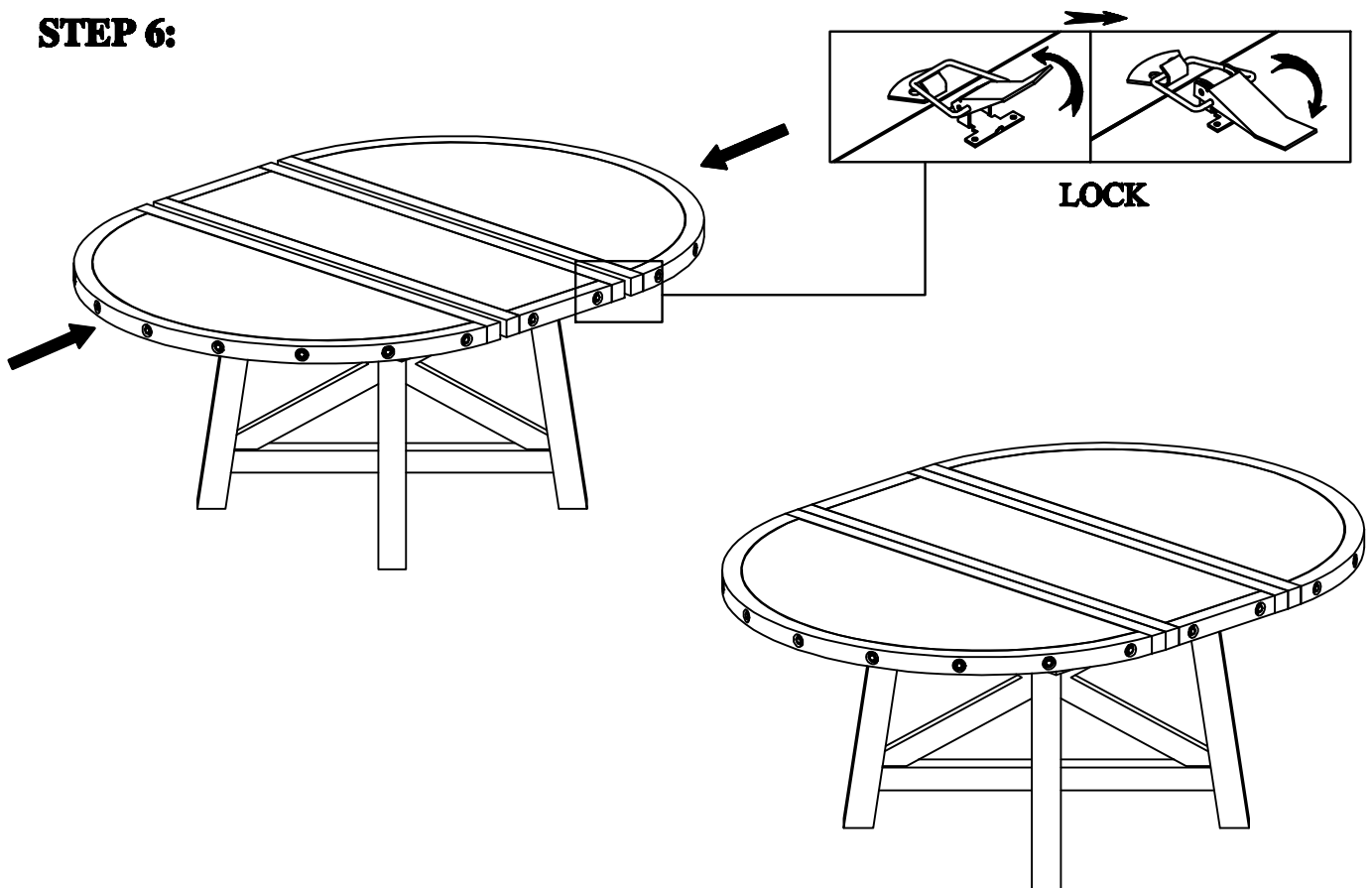
**STEP 4:**



**STEP 5:**  
**ATTACH EXTENSION (B) TO THE TABLE TOP (A).**



**STEP 6:**



**ASSEMBLY COMPLETE.**