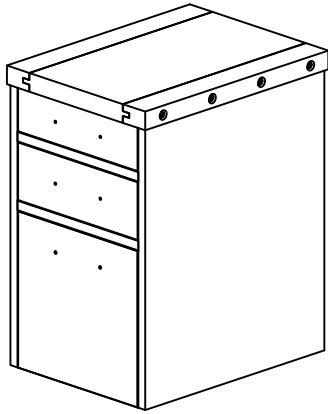
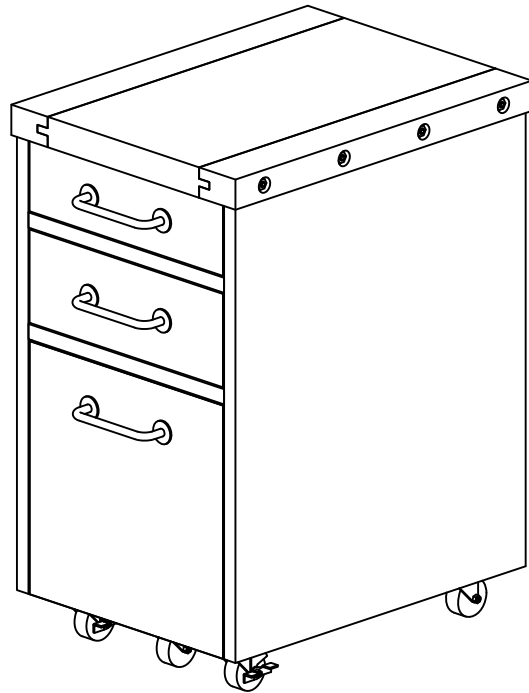


# YOSEMITE ROLLING FILE ASSEMBLY INSTRUCTIONS

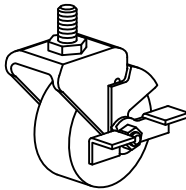
A. ROLLING FILE 1PC



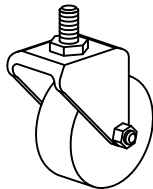
YOSEMITE ROLLING FILE ASSEMBLED



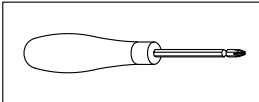
B. LOCK WHEEL 2PCS



C. WHEEL 3PCS

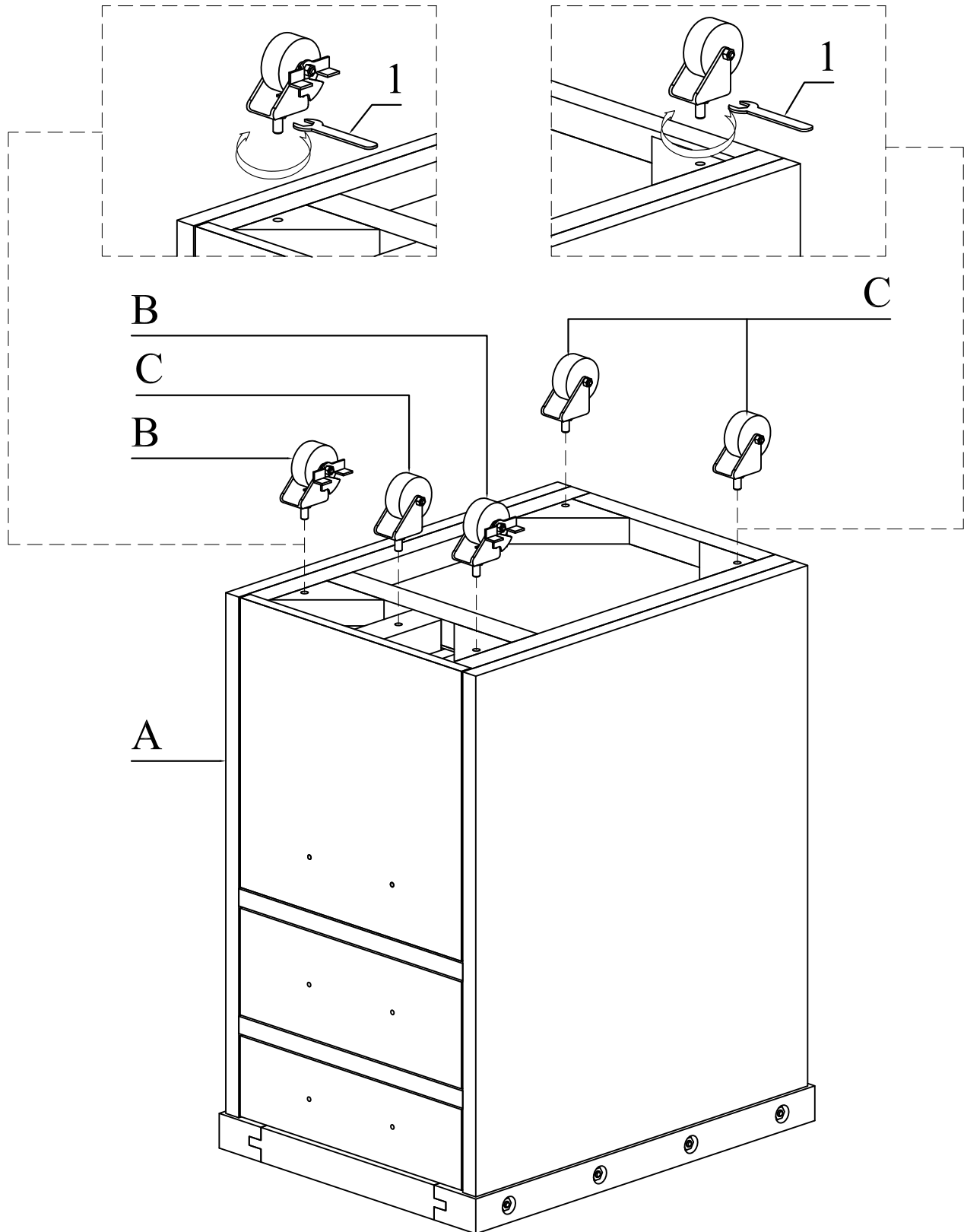


HARDWARE ARE PACKED IN BOX

<b>1</b>	SPANNER N17	01 PC	
			
<p><b>TOOL REQUIRED</b></p> <p>PHILLIPS HEAD SCREW DRIVER NOT PROVIDED</p>			

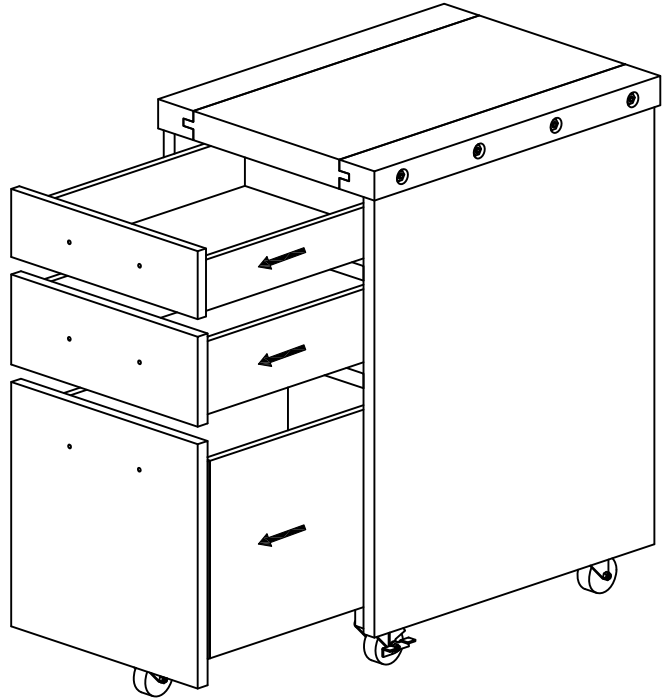
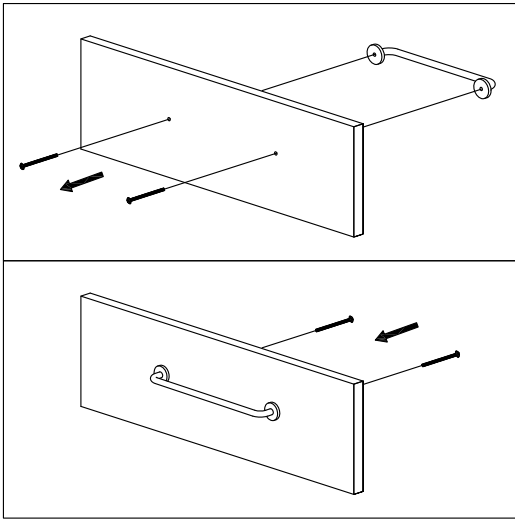
**STEP 1:**

ON A FLAT, LEVEL AREA LAY DOWN A CLEAN BLANKET OR TOWEL. PLACE THE ROLLING FILE (A) TOPSIDE DOWN. ATTACH THE TWO LOCK WHEELS TO THE FRONT LEFT AND RIGHT CORNER BRACKETS. ATTACH THE THREE WHEELS TO THE FRONT CENTER AND BACK LEFT AND RIGHT BRACKETS. TIGHTEN WITH THE PROVIDED SPANNER 1. WITH THE HELP OF A SECOND PERSON, FLIP THE FILE RIGHT SIDE UP.



**STEP 2:**

**PULL OUT THE FILE DRAWERS, REMOVE THE HANDLE FROM THE INSIDE AND ATTACH IT TO THE FRONT SIDE OF THE DRAWER.**



**STEP 3:**

**ASSEMBLY COMPLETE.**

