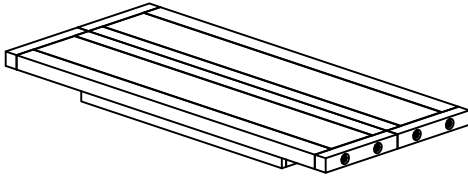


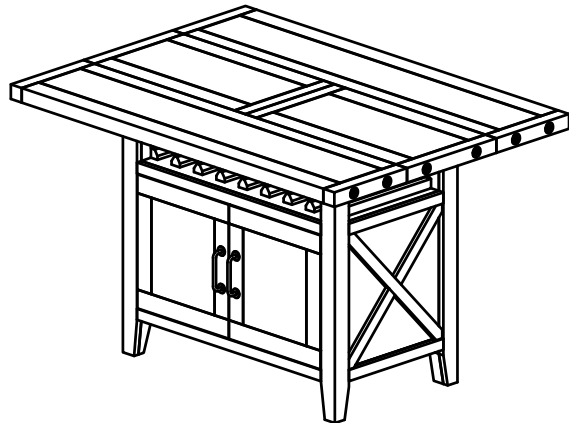
YOSEMITE CANTINA TABLE ASSEMBLY INSTRUCTIONS



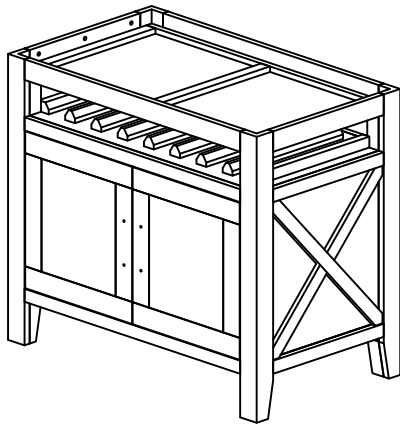
BOX#1:
A. TABLE TOP 1PC







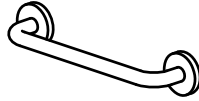

YOSEMITE CANTINA TABLE ASSEMBLED



BOX#2:
B. TABLE BASE 1PC

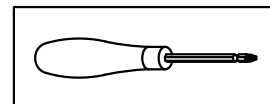


HARDWARE ENCLOSED IN BOX #1

1	ALLEN BOLT M8 x 50 MM	06 PCS	2	WASHER M9/22	06 PCS	3	SPRING WASHER M9/11	06 PCS
								
4	ALLEN KEY (4MM)	01 PC	5	HANDLE U128	04 PCS	6	BOLT (M4 x 30 MM)	08 PCS
								

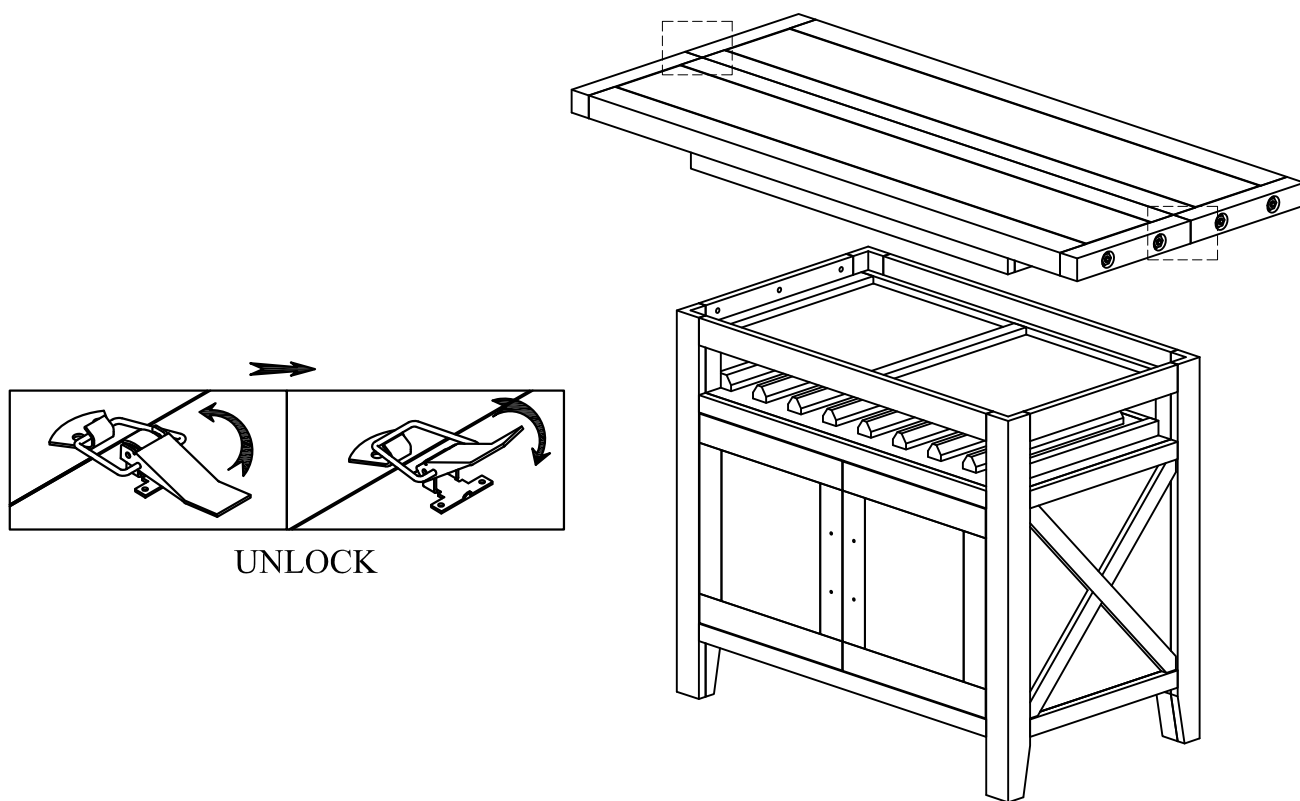
TOOL REQUIRED

PHILLIPS HEAD SCREW
DRIVER NOT PROVIDED



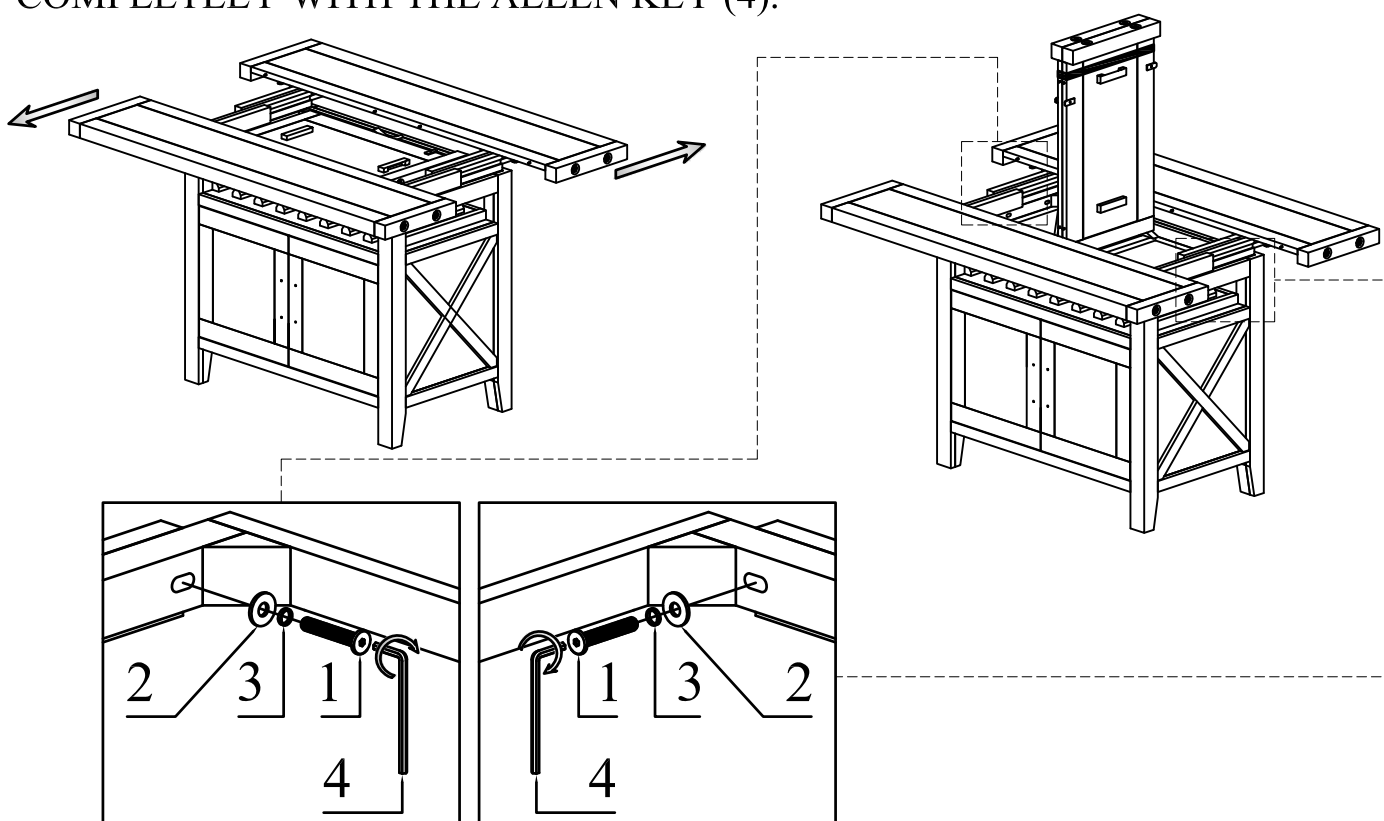
STEP 1:

PLACE THE TABLE TOP (A) ON THE TOP OF THE TABLE BASE (B). UNLATCH THE LOCKS ON THE UNDERSIDE OF THE TABLE TOP.



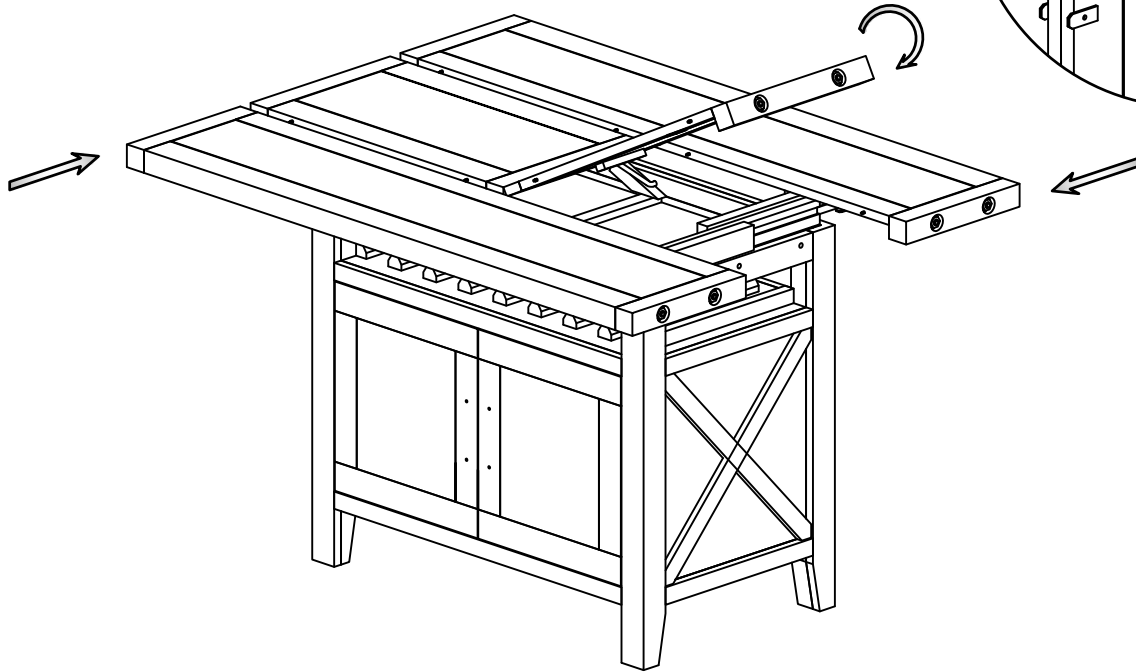
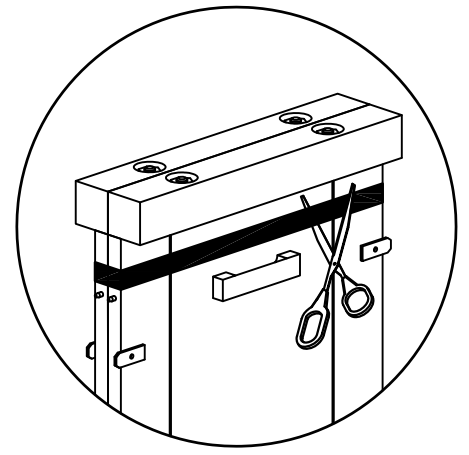
STEP 2:

FOLLOWING THE ILLUSTRATION, OPEN THE TABLE LEAVES AND ROTATE THE EXTENSION AS SHOWN. ATTACH THE TOP TO THE BASE WITH FOUR ALLEN BOLTS (1), SPRING WASHERS (3) AND FLAT WASHERS (2). TIGHTEN COMPLETELY WITH THE ALLEN KEY (4).



STEP 3:

CUT THE SAFETY BAND ON THE LEAVES AND LOWER THEM INTO THEIR FLAT POSITION. PUSH THE EXTENSIONS TOGETHER AND RELATCH THE LOCKS ON THE UNDERSIDE OF THE TOP.



STEP 4:

OPEN THE CABINET DOORS ON BOTH SIDES OF THE BASE AND ATTACH ONE HANDLE (5) PER DOOR WITH TWO BOLTS (6). REPEAT THIS FOR ALL FOUR DOORS. ASSEMBLY IS NOW COMPLETE.

