

YOSEMITE STORAGE E. KING BED HBW ASSEMBLY INSTRUCTIONS





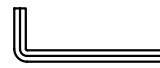

BOX#1
A. HEADBOARD 1PC

BOX#2
B. FOOTBOARD 1 PC
C. SLAT ROLL 1 PC
D. SLATS SUPPORT 9 PCS
E. BOTTOM SLATS 3 PCS

BOX#3
F. SIDERAILS 2 PCS

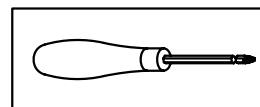
STORAGE E. KING BED ASSEMBLED

HARDWARE ARE PACKED IN BOX

1	ALLEN BOLT M8 x 30 MM	16 PCS	2	WASHER M8/19	16 PCS	3	ALLEN KEY (4MM)	02 PCS	4	SCREW M4 x 30MM	24 PCS
											

TOOL REQUIRED

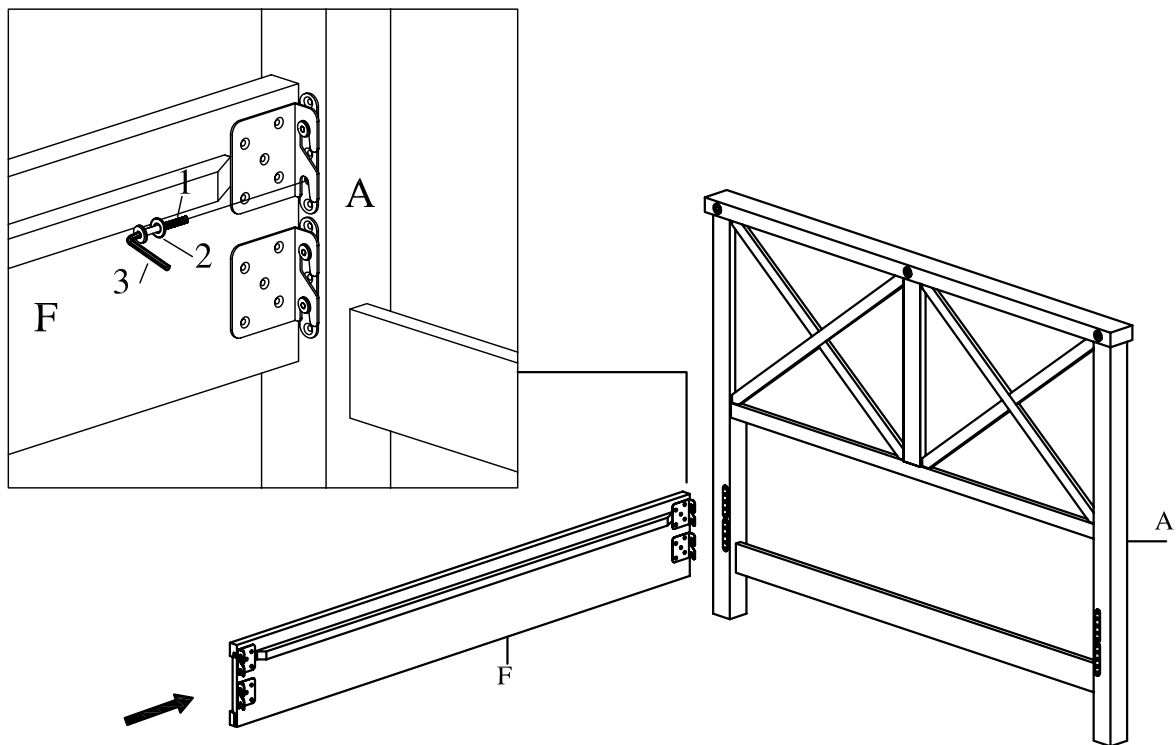
PHILLS HEAD SCREW
DRIVER NOT PROVIDED



STEP 1:

FIX ONE OF THE SIDERAILS (F) TO THE HEADBOARD (A) USING ALLEN KEY (3) AND ALLEN BOLT (1) AND WASHERS (2).

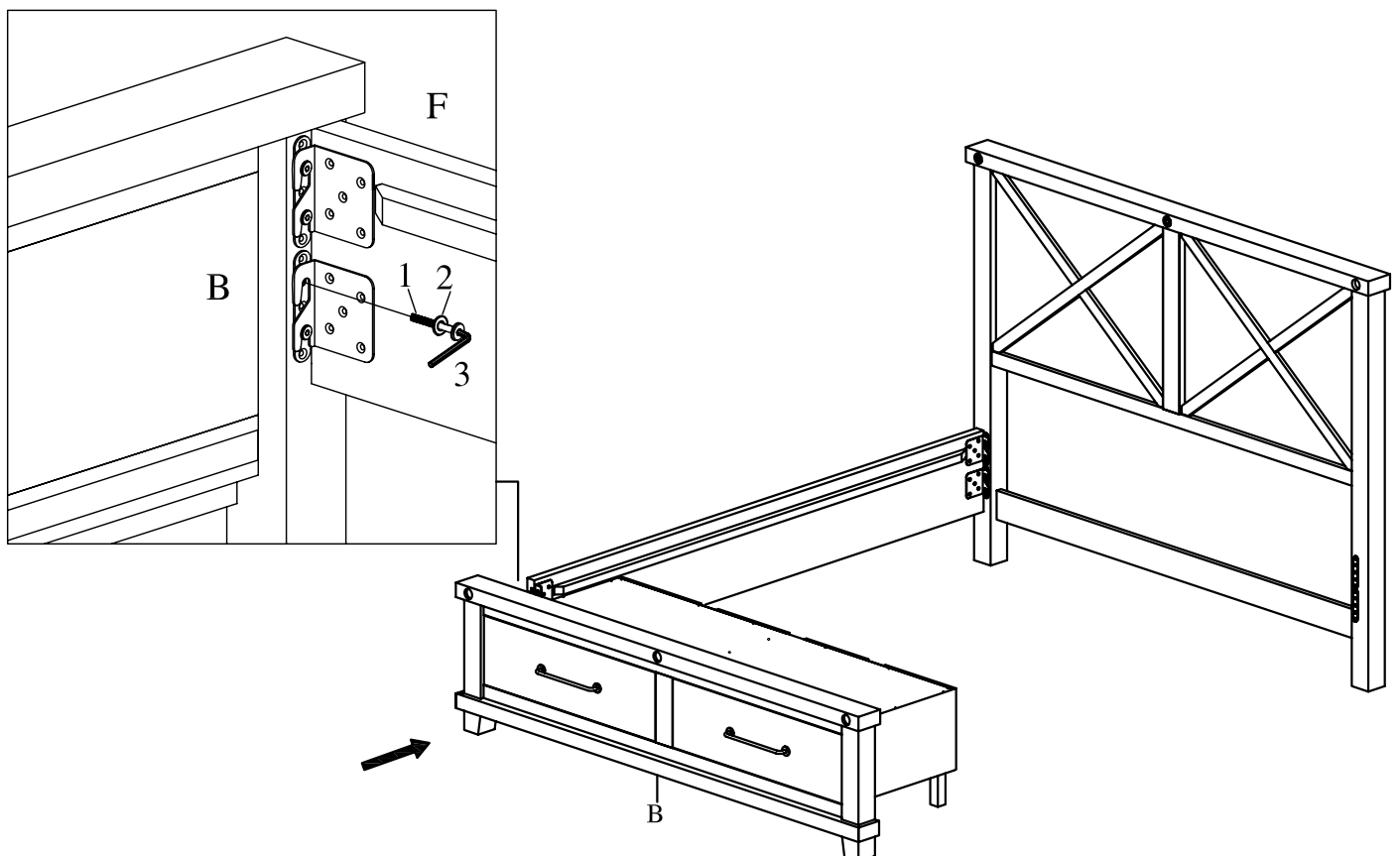
DO NOT TIGHTEN BOLTS COMPLETELY UNTIL ASSEMBLY IS COMPLETED.



STEP 2:

FIX THE OTHER END OF THE SIDERAILS (F) TO THE FOOTBOARD (B) USING ALLEN KEY (3) AND ALLEN BOLT (1) AND WASHERS (2).

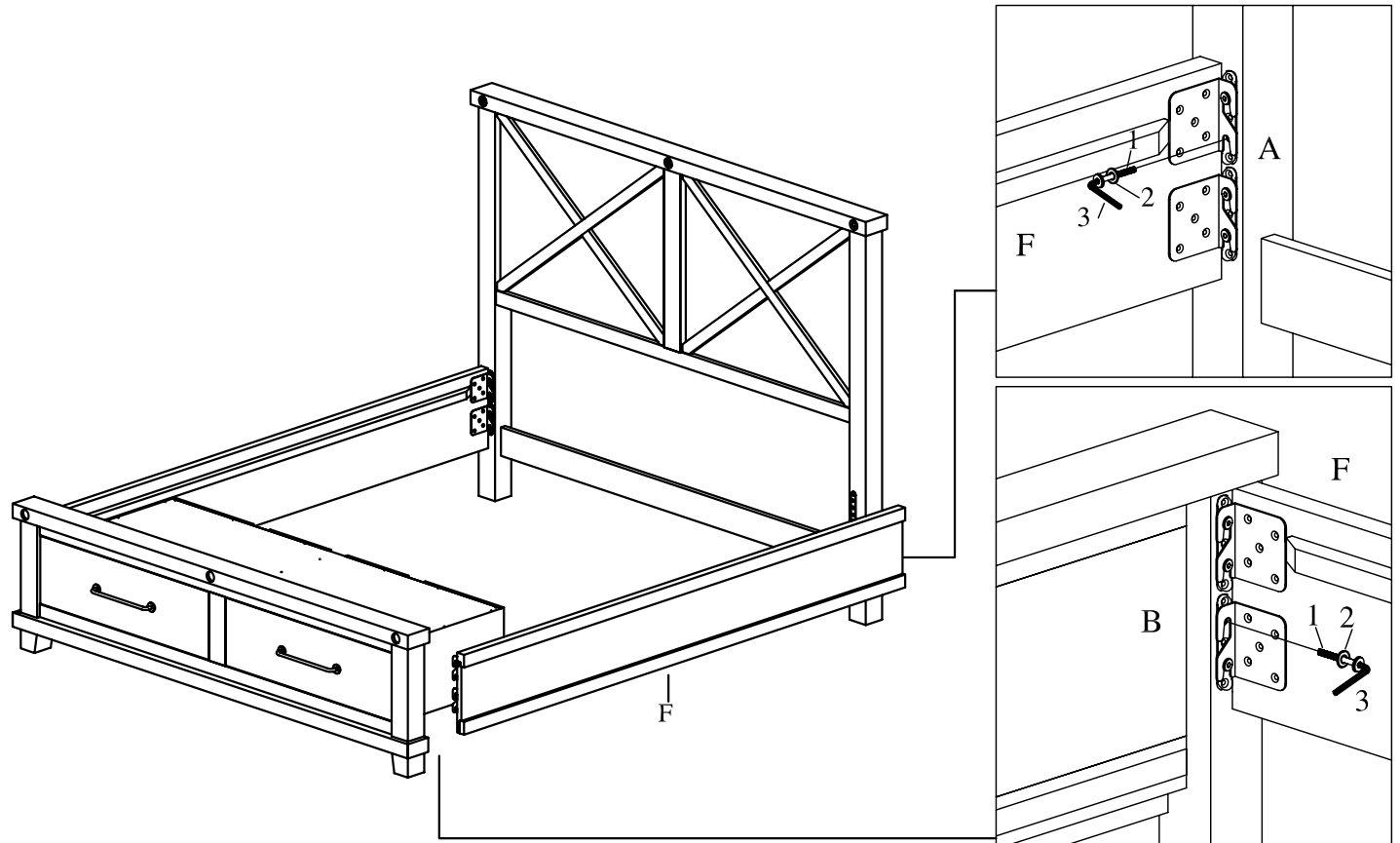
DO NOT TIGHTEN BOLTS COMPLETELY UNTIL ASSEMBLY IS COMPLETED



STEP 3:

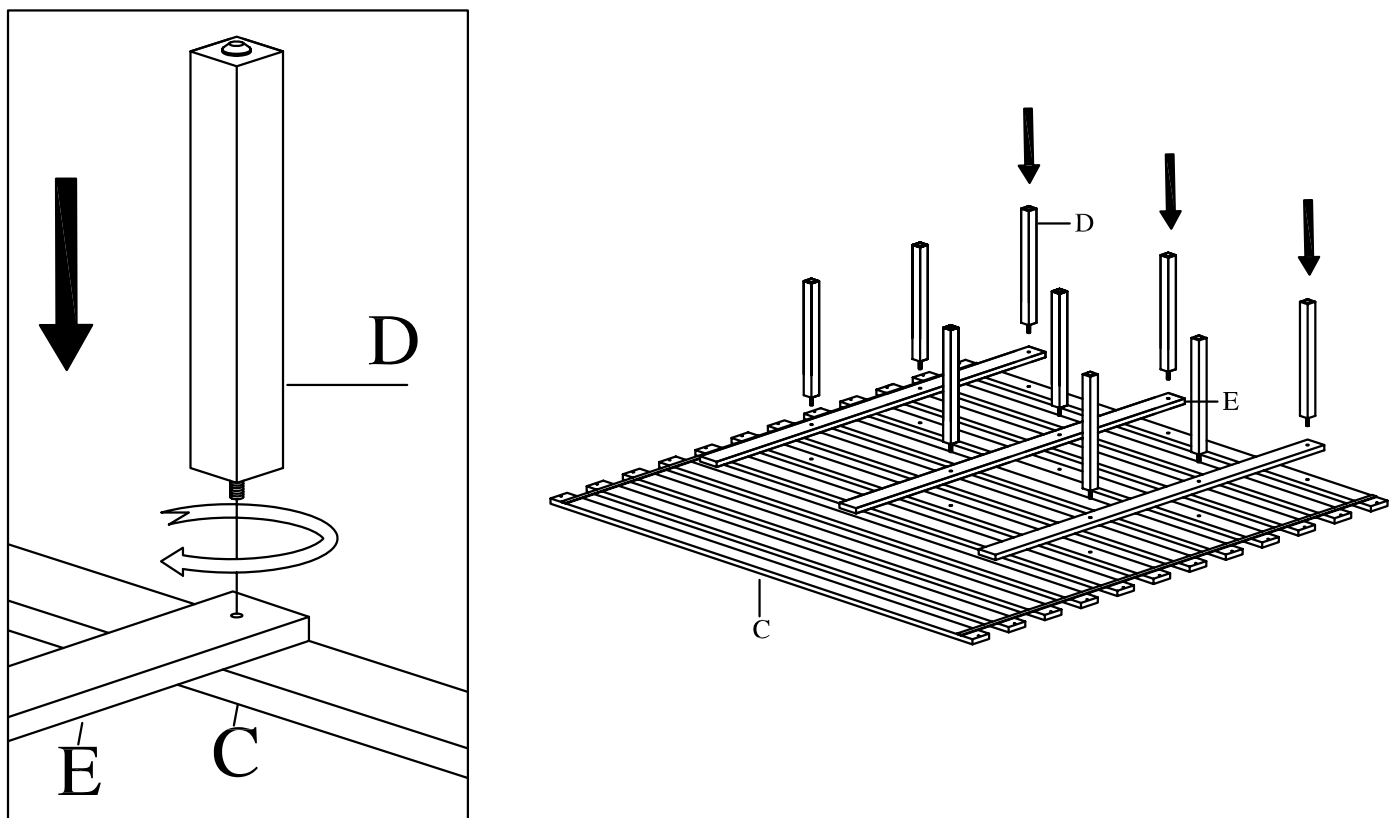
FIX ONE OF THE SIDERAILS (F) TO THE HEADBOARD (A) AND FOOTBOARD (B) USING ALLEN KEY (3) AND ALLEN BOLT (1) AND WASHERS (2).

DO NOT TIGHTEN BOLTS COMPLETELY UNTIL ASSEMBLY IS COMPLETED



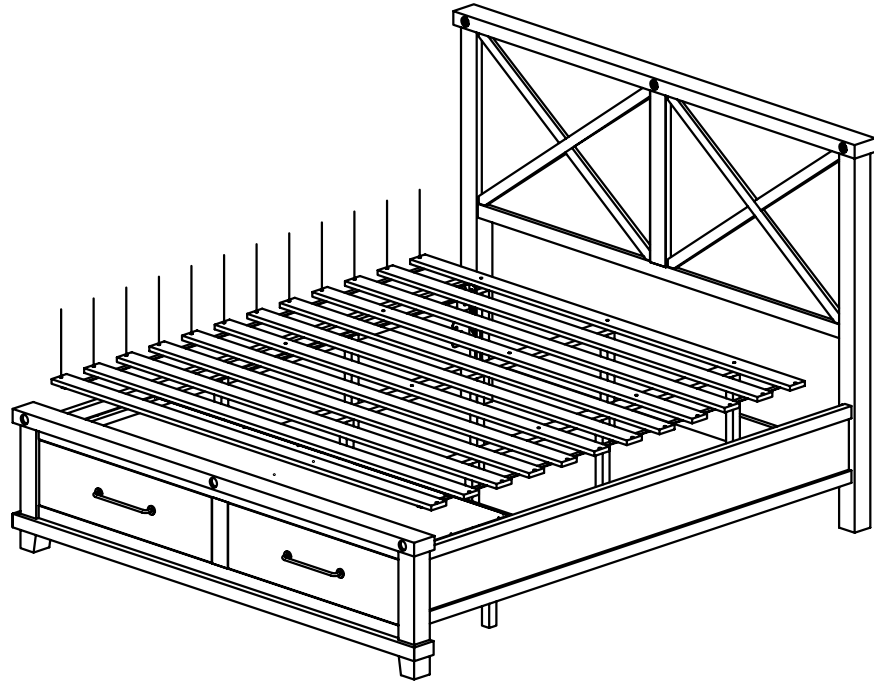
STEP 4:

ATTACH THE SLATS SUPPORT (D) TO THE BOTTOM SLATS (E) AND SLAT ROLL (C).



STEP 5:

FOLLOW THE ILLUSTRATION TO PLACE FIVE SLAT ROLL (C) ON THE BED FRAME. AND SECURE THE SLAT ROLL (C) USING WOOD SCREWS (4). USE THE PILOT HOLES ON THE SIDERAILS (C) AS YOUR REFERENCE FOR EASY ASSEMBLY.



STEP 6:

ASSEMBLY COMPLETE

