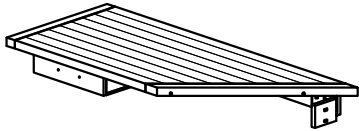
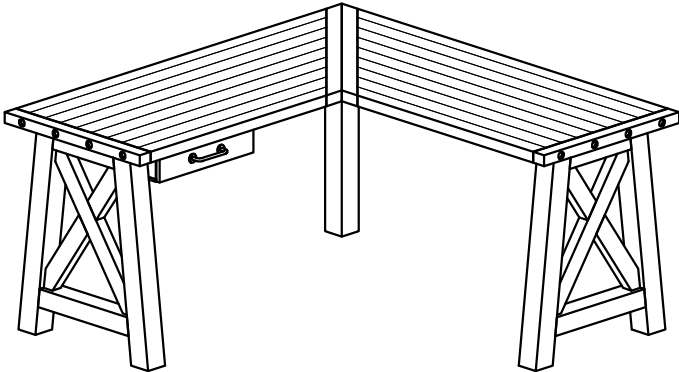
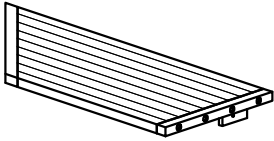
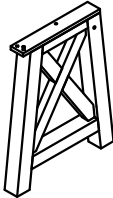
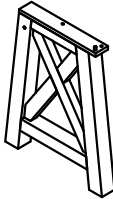

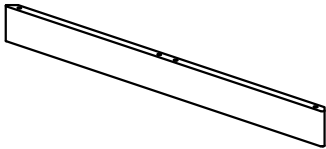










JAXON CORNER DESK ASSEMBLY INSTRUCTIONS



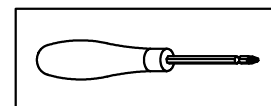
<p>A. LEFT TOP SECTION 1PC</p> 	<h2 style="text-align: center;">JAXON CORNER DESK ASSEMBLED</h2> 
<p>B. RIGHT TOP SECTION 1PC</p> 	
<p>C. LEFT LEG 1PC</p> 	
<p>D. RIGHT LEG 1PC</p> 	
<p>E. MIDDLE SUPPORT 1PC</p> 	
<p>F. STRETCHER 1PC</p> 	

HARDWARE ENCLOSED IN BOX

1	ALLEN BOLT (M8x70)	06 PCS	2	ALLEN BOLT (M8x40)	07 PCS	3	ALLEN BOLT (M6x90)	04 PCS	4	SPRING WASHER (M9)	13 PCS	5	FLAT WASHER (M9)	13 PCS
														
6	SPRING WASHER (M6)	04 PC	7	FLAT WASHER (M6)	04 PCS	8	ALLEN KEY	01 PC						
														

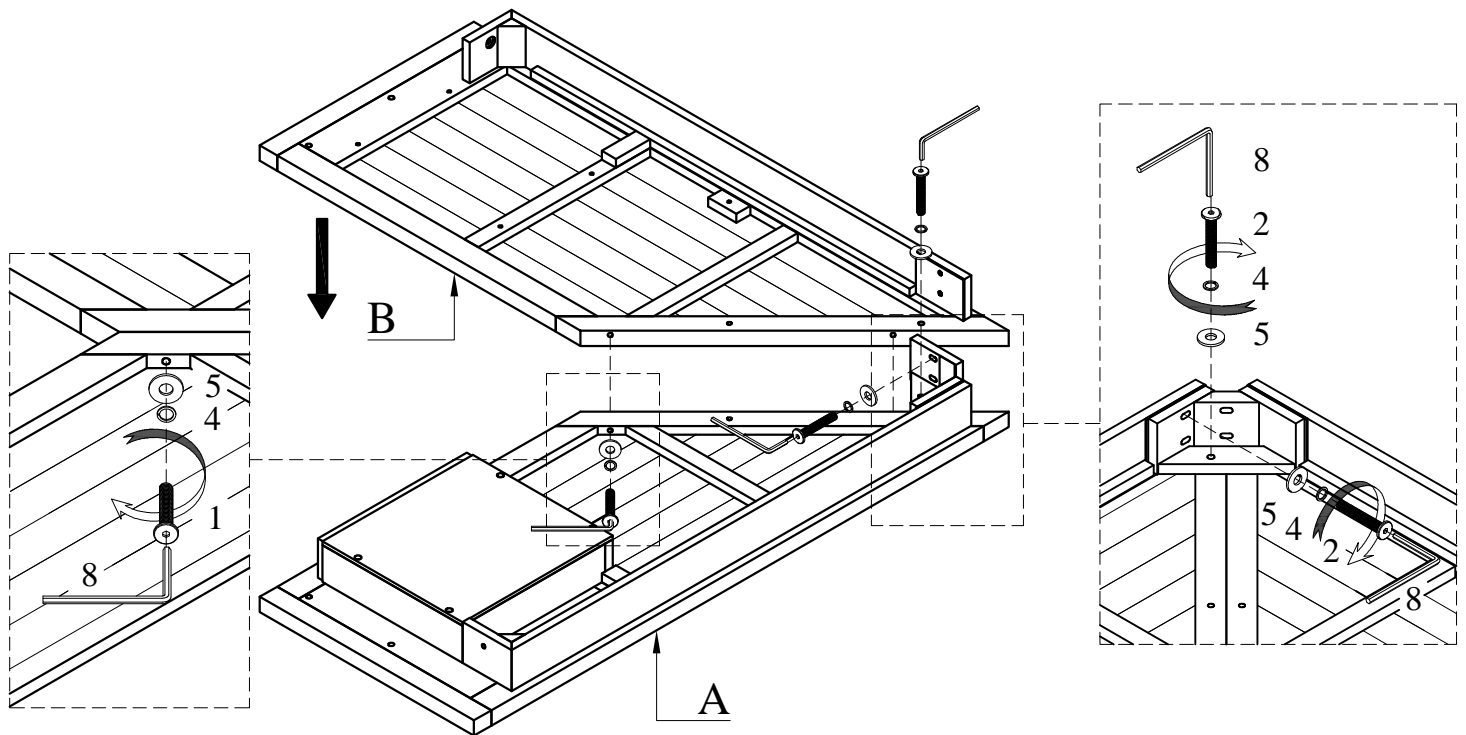
TOOL REQUIRED

PHILLIPS HEAD SCREW
DRIVER NOT PROVIDED



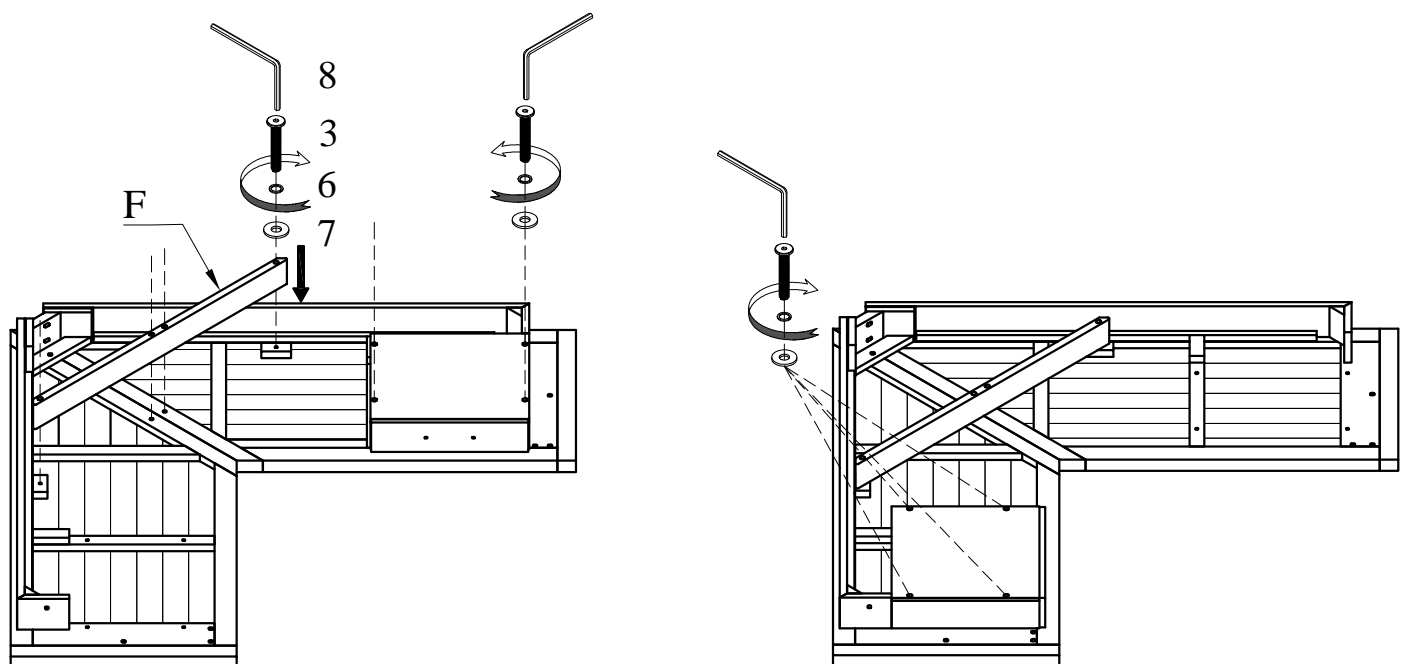
STEP 1:

ON A FLAT, LEVEL AREA LAY DOWN A CLEAN BLANKET OR TOWEL. PLACE BOTH THE LEFT (A) AND RIGHT TOP SECTIONS (B) UPSIDE DOWN ON. CONNECT THE SECTIONS WITH TWO M8X70 ALLEN BOLTS (1), M9 SPRING WASHERS (4) AND M9 FLAT WASHERS (5) THROUGH THE FRAME. ADDITIONALLY, USE THREE M8X40 ALLEN BOLTS (2), M9 SPRING WASHERS AND M9 FLAT WASHERS TO CONNECT THE CORNER FRAMING, PER THE ILLUSTRATION. TIGHTEN ALL BOLTS COMPLETELY WITH THE PROVIDED ALLEN KEY (8).

**STEP 2:**

ATTACH THE STRETCHER (F) TO THE TOP SECTION ASSEMBLY USING FOUR M6X90 ALLEN BOLTS (3), M6 SPRING WASHERS (6) AND M6 FLAT WASHERS (7). TIGHTEN ALL BOLTS COMPLETELY WITH PROVIDED ALLEN KEY.

OPTIONAL STEP: THE DESK DRAWER CAN BE POSITIONED ON EITHER THE LEFT OR RIGHT SIDE OF THE DESK. TO MOVE FROM CURRENT POSITION, REMOVE ALL FOUR BOLT ASSEMBLIES AND REPOSITION DRAWER OVER CORRESPONDING HOLES. REATTACH AND TIGHTEN BOLTS.

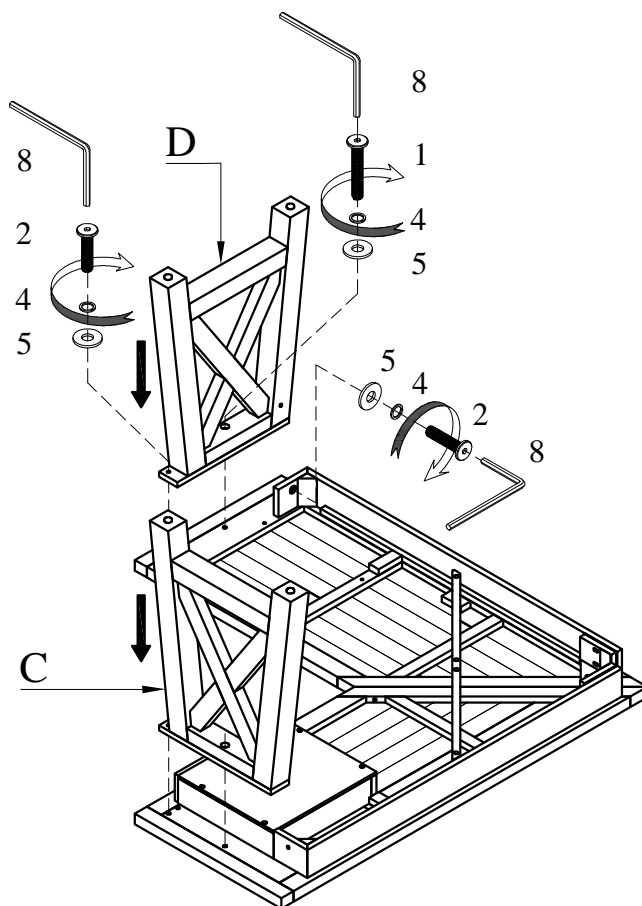


OPTION 1

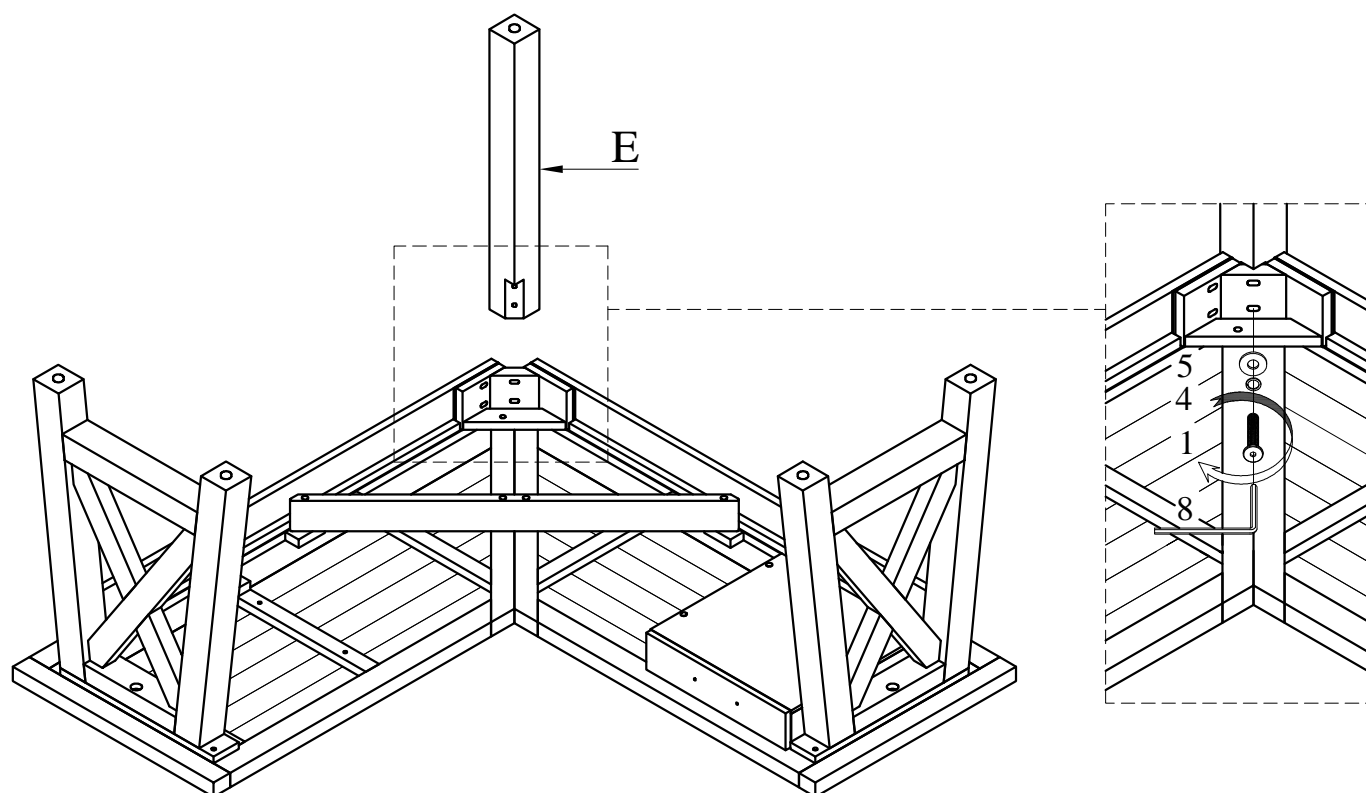
OPTION 2

STEP 3:

CONNECT THE LEFT (C) AND RIGHT LEGS (D) TO THE TOP ASSEMBLY WITH ONE M8X70 ALLEN BOLT, M9 SPRING WASHER AND M9 FLAT WASHER THROUGH THE CENTER TOP OF THE LEG. USE TWO M8X40 ALLEN BOLTS, M9 SPRING WASHERS AND M9 FLAT WASHERS TO CONNECT THE OUTSIDE EDGES OF THE LEGS. IN TOTAL, SIX BOLT ASSEMBLIES WILL BE USED. TIGHTEN ALL BOLTS COMPLETELY WITH PROVIDED ALLEN KEY.

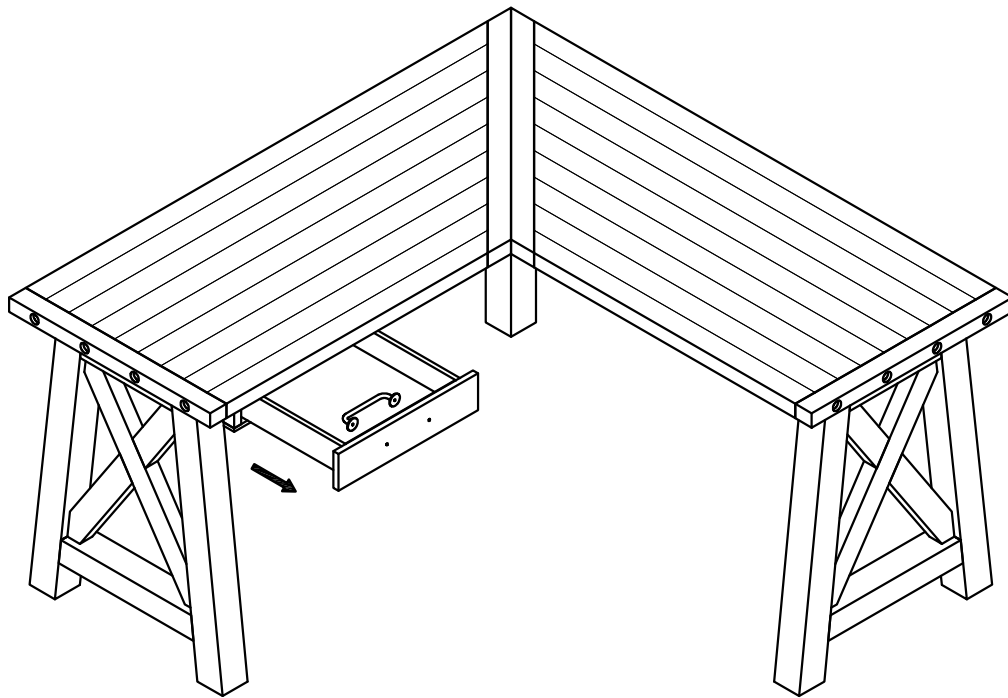
**STEP 4:**

ATTACH THE MIDDLE SUPPORT (3) TO THE TABLE TOP WITH TWO M8X70 ALLEN BOLTS, M9 SPRING WASHERS AND M9 FLAT WASHERS. TIGHTEN COMPLETELY WITH PROVIDED ALLEN KEY.

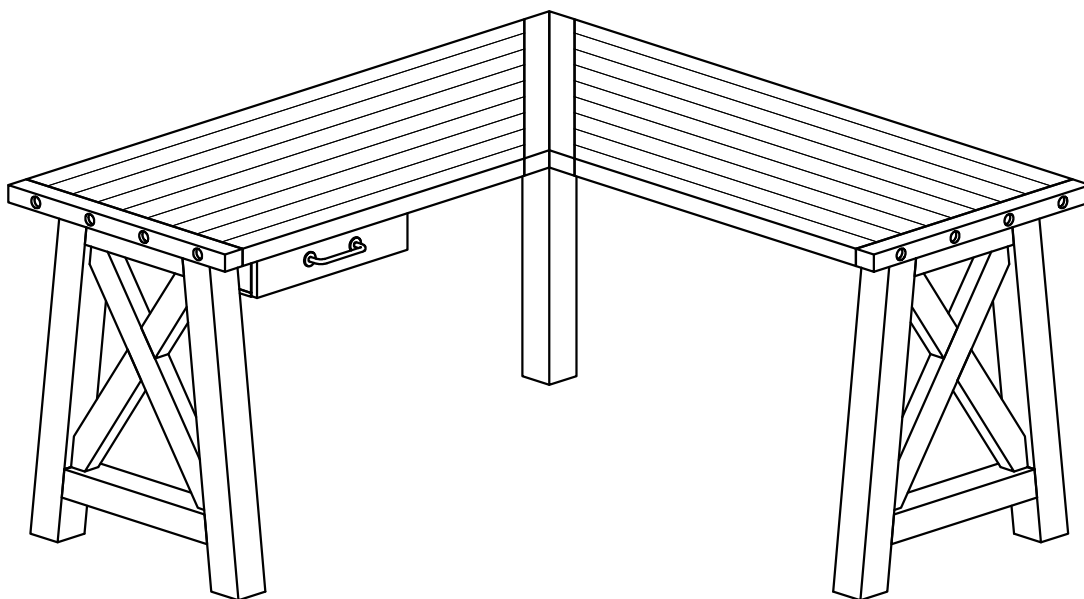


STEP 5:

WITH THE HELP OF A SECOND PERSON, FLIP THE DESK RIGHTSIDE UP. TO INSTALL THE DRAWER HANDLE, OPEN THE DESK DRAWER AND UNATTACH THE HANDLE. REPOSITION THE HANDLE ON THE OUTSIDE AND TIGHTEN USING THE PROVIDED SCREWS.



STEP 6:



ASSEMBLY COMPLETE.