

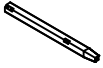




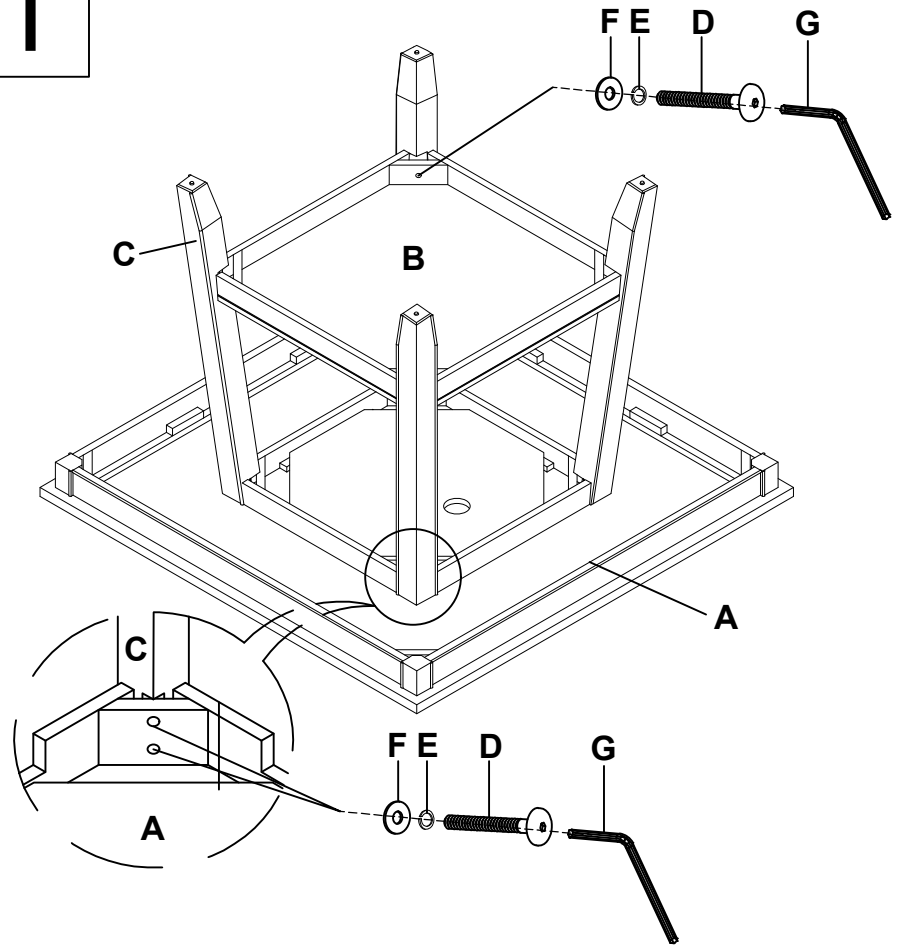




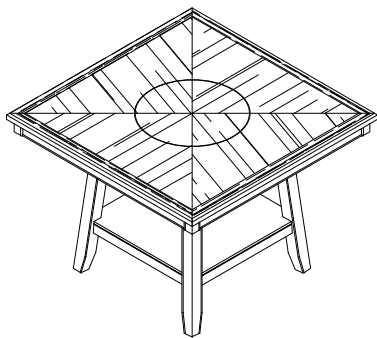
LIVING SPACES

A	2731T-4848-A	 ×1
B	2731T-4848-B	 ×1
C	2731T-4848-C	 ×4
D	2731T-4848-D	 ×12 516**18*2-1/4"
E	2731T-4848-E	 ×12 516**12mm
F	2731T-4848-F	 ×12 516**19mm
G	2731T-4848-G	 ×1 4mm

1



HYLAND COUNTER TABLE



2731T-4848
HYLAND COUNTER TABLE

2

