


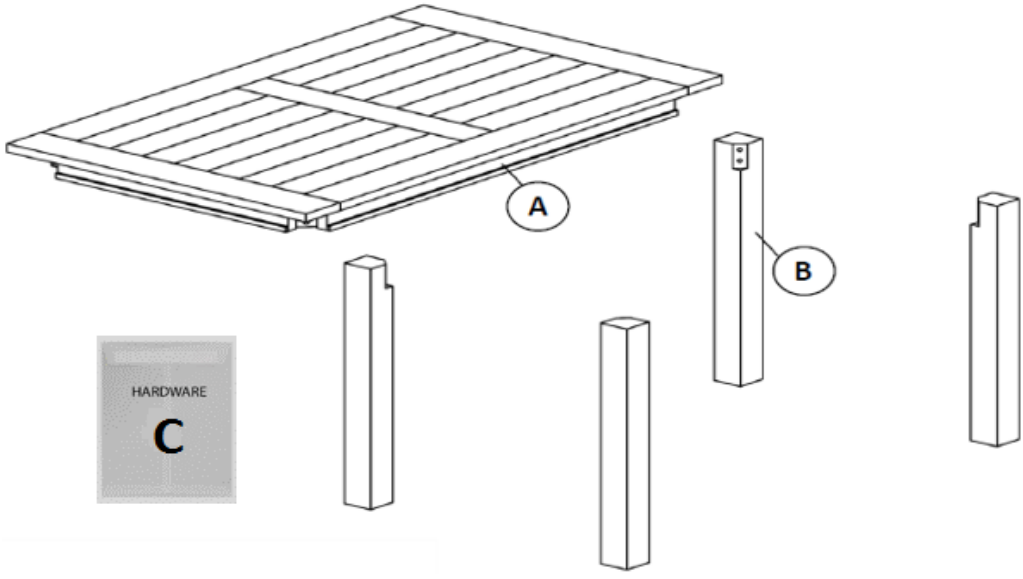




# Assembly Instructions

HIGHLANDS DINING TABLE 60"

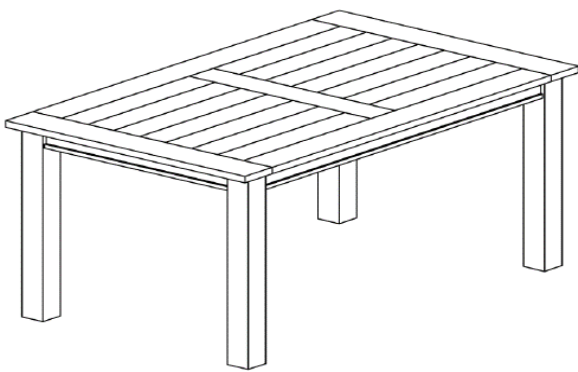
51030670

## Parts and Tools

A	51030670-A		X 1	
B	51030670-B		X 4	
C	51030670-C C D E		X 8 X 8 X 1	

HIGHLANDS DINING TABLE 60"

51030670



### Before Starting:

1. Choose a clean, level, spacious assembly area. Avoid hard surfaces that may damage the product.
2. Always read the instructions carefully before beginning assembly to ensure that you have all required contents.
3. To prevent choking hazards, keep the packaging material out of reach of small children
4. Do not over tighten the bolts as this may damage the thread.
5. Use only vendor supplied hardware to assemble. Using unauthorized hardware could jeopardize the structural integrity of the item.
6. The use of power tools to aid in assembly is not recommended. Power tools can damage hardware and split wood.



ASSEMBLY REQUIRES  
TWO PEOPLE



20 MINUTE  
ASSEMBLY TIME

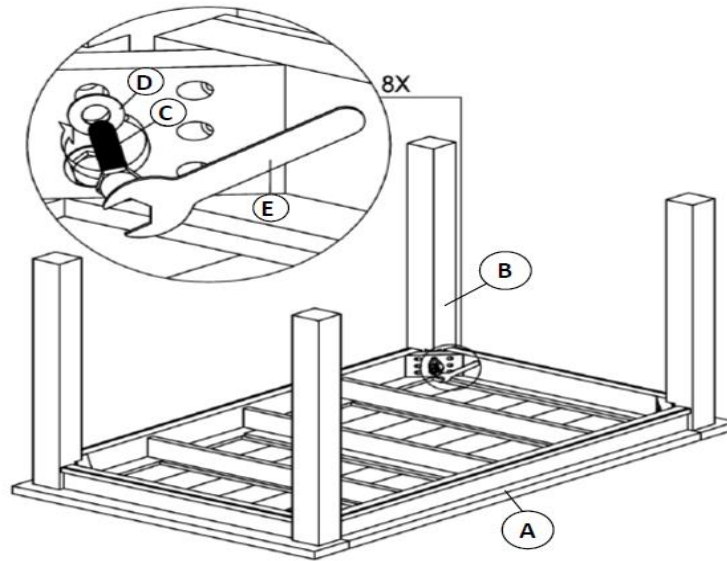


KEEP INSTRUCTIONS  
FOR FUTURE USE

# Assembly Instructions

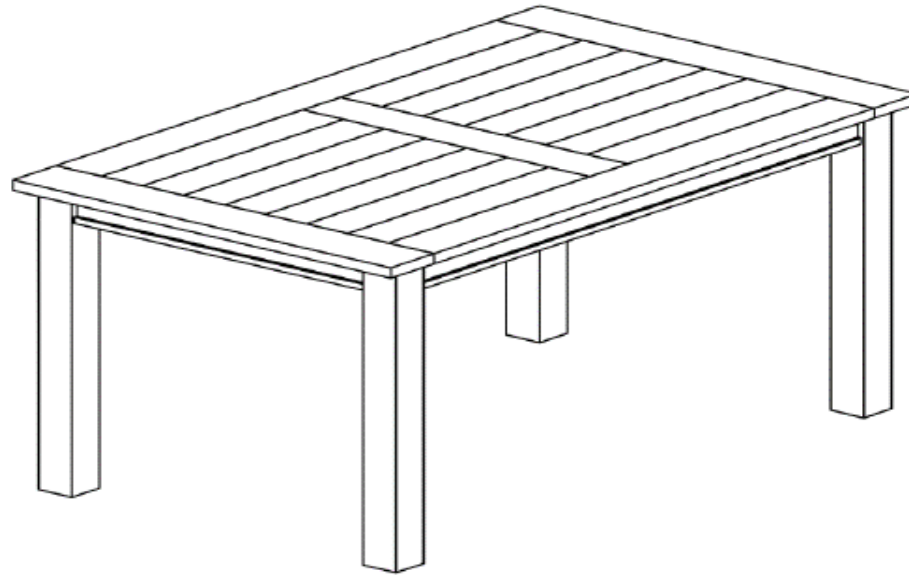
HIGHLANDS DINING TABLE 60"  
51030670

1



Assemble the Legs (B) into Table Top (A) by using Open Wrench (E) to tighten Bolts (C) and Washers (D).

2



Carefully turn the table and stand on it's leg. Item is completed.