



LIVING SPACES

ASSEMBLY INSTRUCTIONS





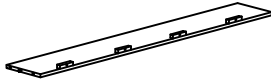
ITEM 305-P234180

CK / EK HEADBOARD PANEL BED









Thank you for purchasing this quality product. Be sure to check all packing material carefully for small hardware which may have come loose inside the carton during shipment. Identify and count all hardware and compare with the hardware list below.

When placing furniture on non-carpeted flooring, HMI recommends the use of floor protection such as an area rug or furniture pads. Area rugs and padding not included with purchase.

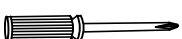
PARTS LIST

No.	Description	Sketch	Quantity
1	Headboard Bookcase		1
2	Headboard Legs (Right)		1
3	Headboard Legs (Left)		1
4	Back Support Rail		2
5	Front Frame Support		1

HARDWARE LIST

No.	Description	Size	Sketch	Quantity
A	JCBC Bolt	M6 x 35MM		4
B	JCBC Bolt	M6 x 40MM		4
C	JCBC Bolt	M6 x 50MM		4
D	Spring Washer	M6		12
E	Flat Washer	M6		12
F	Allen Key	4 x 65MM		1
G	Locking Pin	-		4
H	USB Adapter Plug	-		1

TOOLS REQUIRED (NOT PROVIDED)



PHILLIPS HEAD SCREWDRIVER

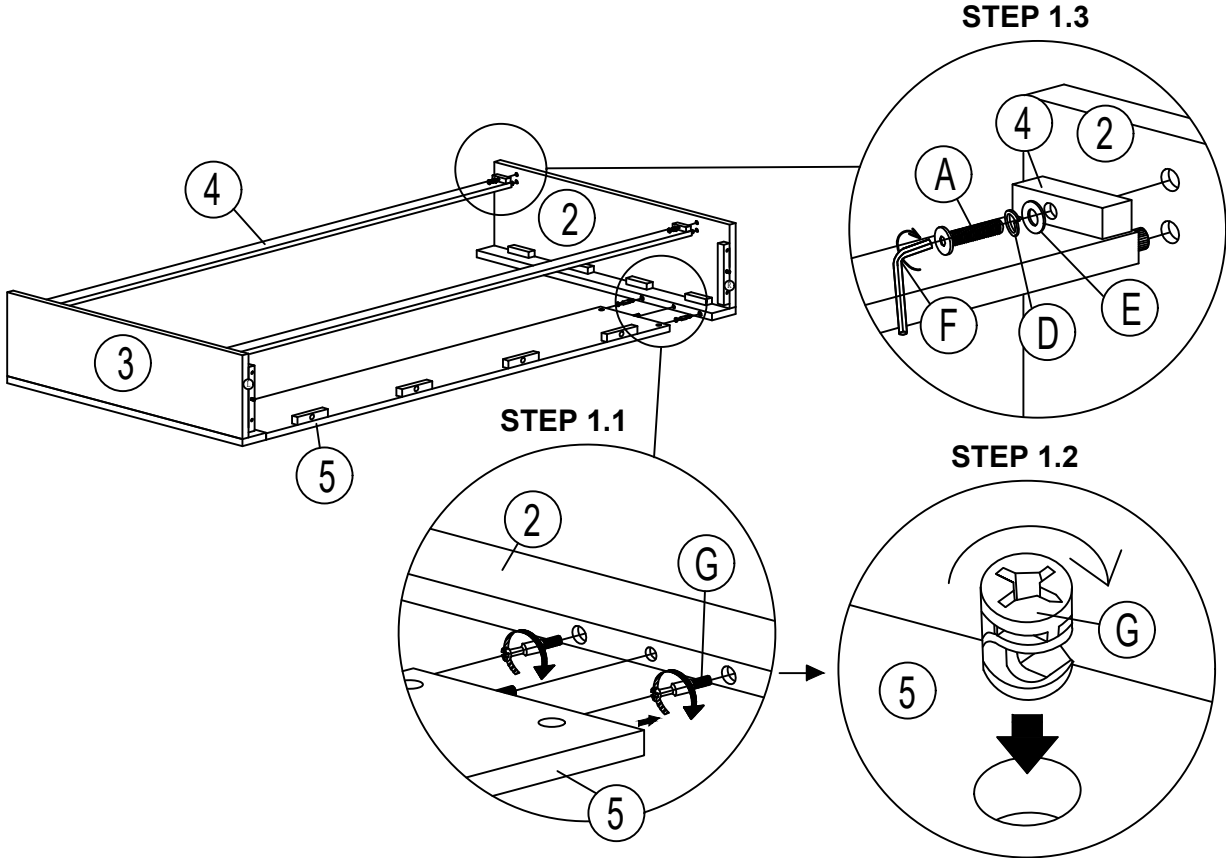


LIVING SPACES

ASSEMBLY INSTRUCTIONS

STEP 1

Fixed the Bottom Panel Support and front frame support to the left and right headboard leg as shown.



STEP 2

Fixed the leg to headboard bookcase as shown.

