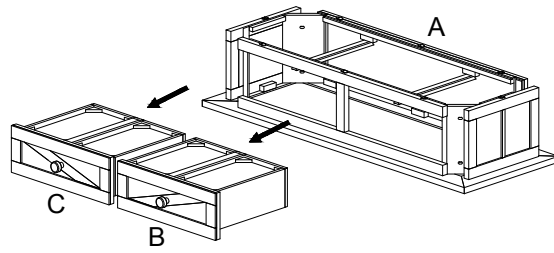


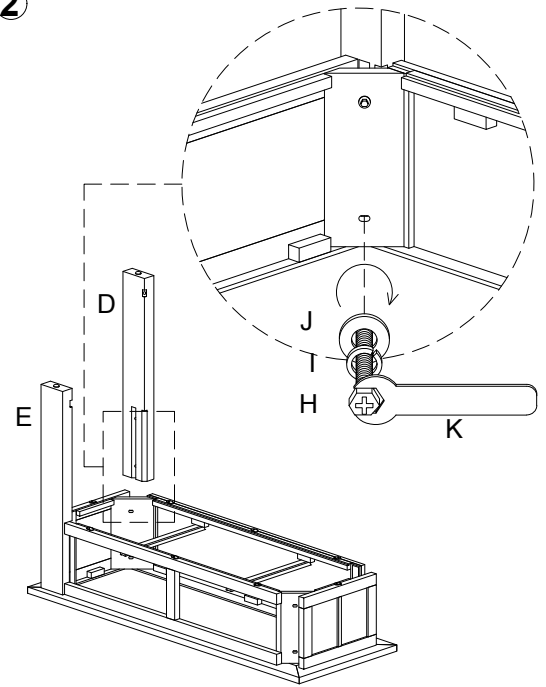
LIVING SPACES

| | | | |
|----------|---------------|--|-----|
| A | PT3778-73TP | | X1 |
| B | PT3778-73DW1 | | X1 |
| C | PT3778-73DW2 | | X1 |
| D | PT3778-73LG1 | | X2 |
| E | PT3778-73LG2 | | X2 |
| F | PT3778-73DP | | X1 |
| G | PT3778-73SH | | X1 |
| H | PT3778-73HD-H | | X12 |
| I | PT3778-73HD-I | | X12 |
| J | PT3778-73HD-J | | X12 |
| K | PT3778-73HD-K | | X1 |

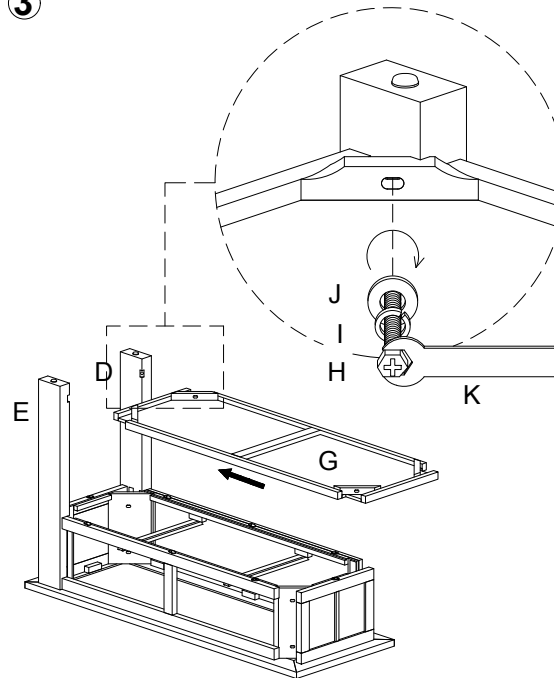
①



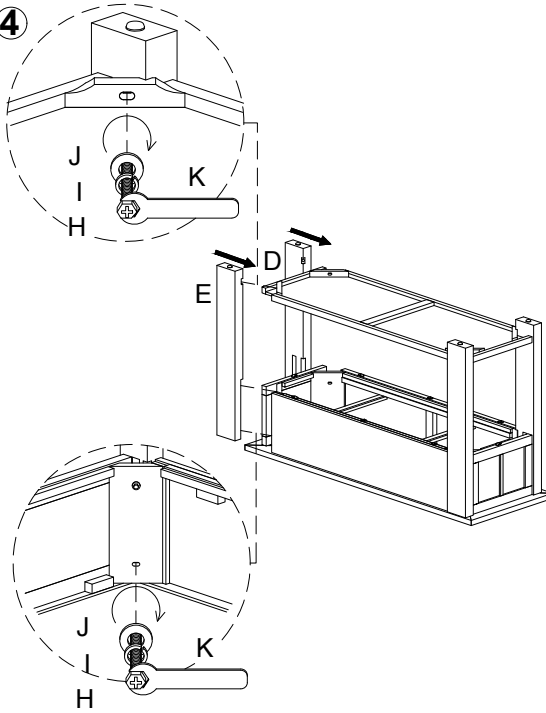
②



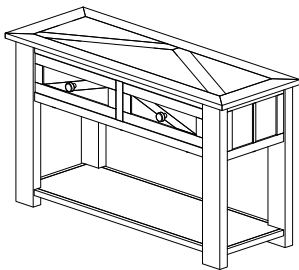
③



④

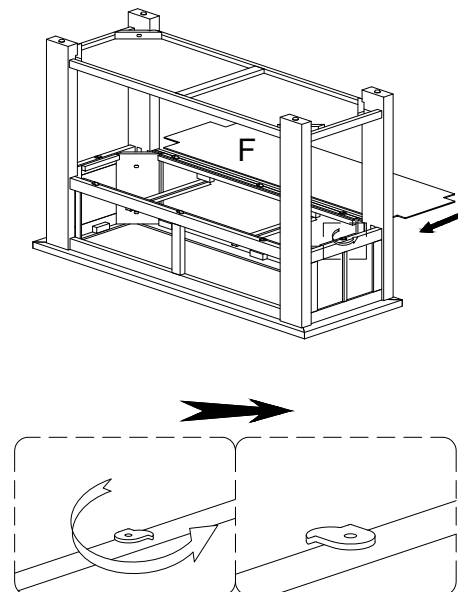


GRANT

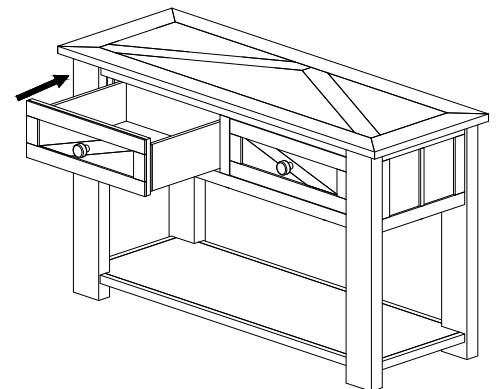


96197/T3778-73
RECTANGULAR SOFA TABLE

⑤



⑥



Not provided