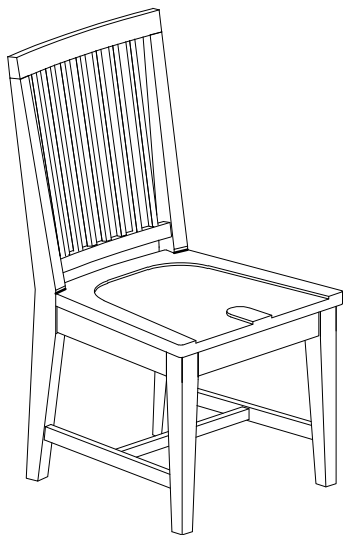




LIVING SPACES

A	CHAIR BACK		X1
B	CHAIR SEAT		X1
C	LEFT LEG		X1
D	RIGHT LEG		X1
E	LEFT STRETCHER		X1
F	RIGHT STRETCHER		X1
G	MIDDLE STRETCHER		X1
H	ALLEN BOLT (1/4 X 40MM)		X1
I	ALLEN BOLT (1/4 X 70MM)		X4
J	LOCK WASHER (1/4 X 9MM)		X9
K	FLAT WASHER (1/4 X 19MM)		X9
L	HEX NUT (1/4 X 4MM)		X4
M	WOOD SCREW (4 X 40MM)		X6
N	WRENCH		X1
O	ALLEN KEY		X1

GABLES DINING

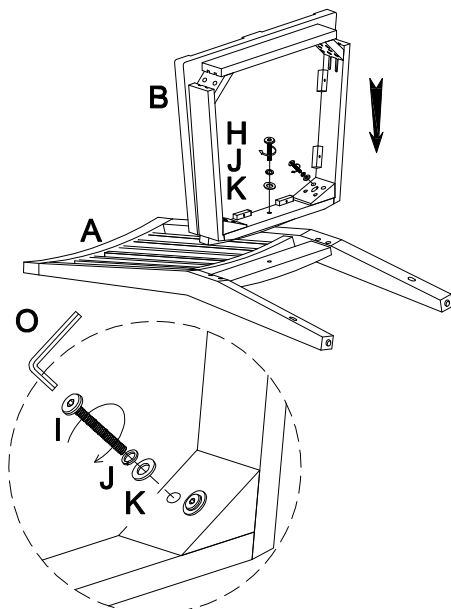


8EJ866
GABLES DINE CHAIR

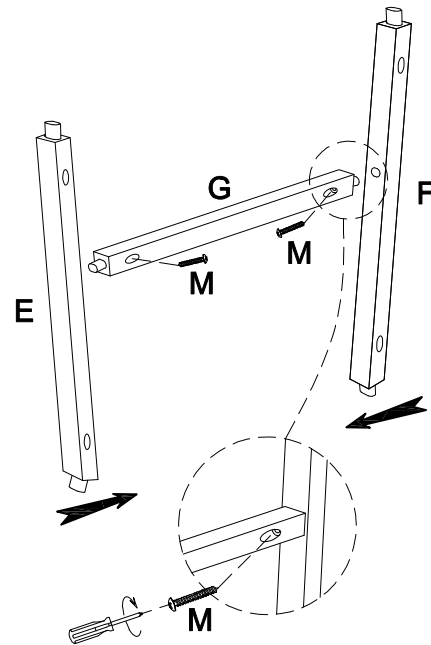


Not provided

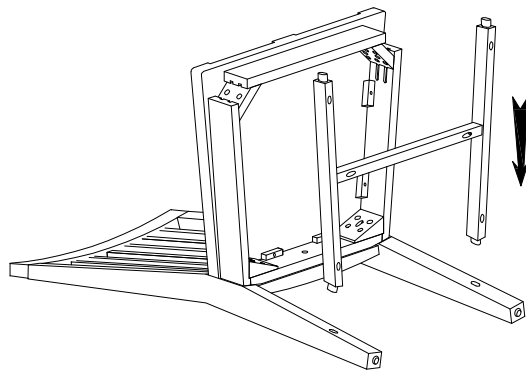
① FINGER TIGHTEN BOLTS ONLY



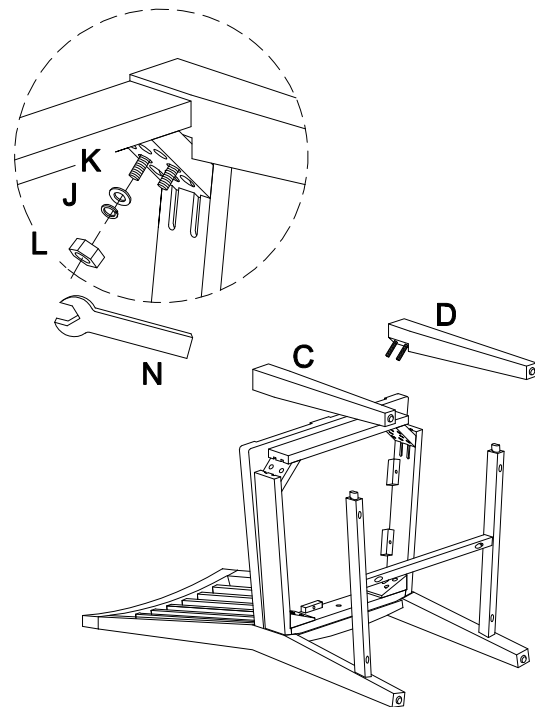
②



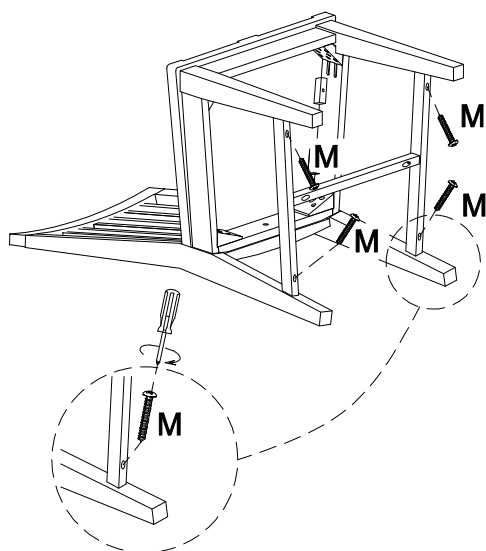
③



④ FINGER TIGHTEN BOLTS ONLY



⑤



⑥ STAND CHAIR UPRIGHT ON A FLAT, LEVEL AREA AND TIGHTEN ALL BOLTS COMPLETELY WITH THE ALLEN KEY

