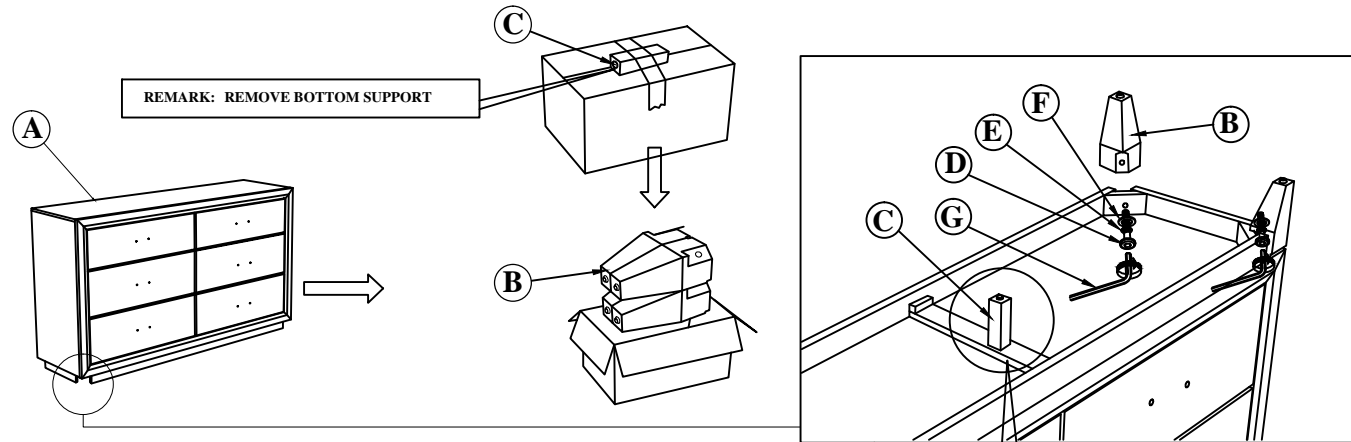


ASSEMBLY INSTRUCTIONS



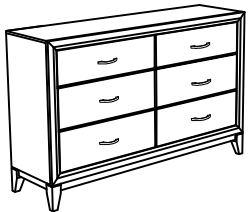
A	CHEST	X1
B	BUN FOOT	X1
C	BOTTOM SUPPORT	X1
D	JCBC BOLT	X4 M6 x 50mm
E	SPRING WASHER	X4 1/4"
F	FLAT WASHER	X4 1/4" ID x 19mm
G	ALLEN KEY	X1 M4 x 65mm

1



2

DRESSER



B4620-1
DRESSER

