


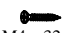


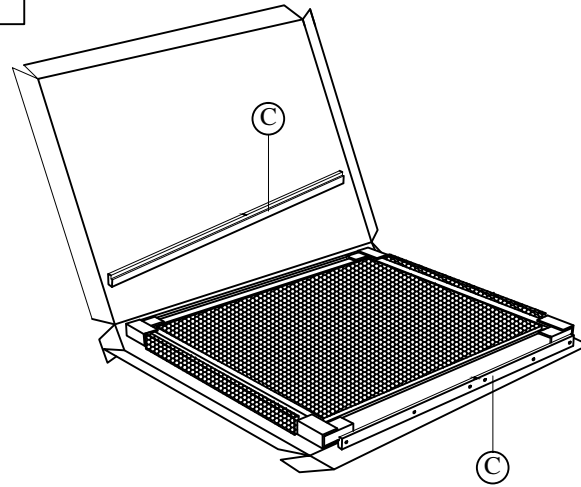
ASSEMBLY INSTRUCTIONS



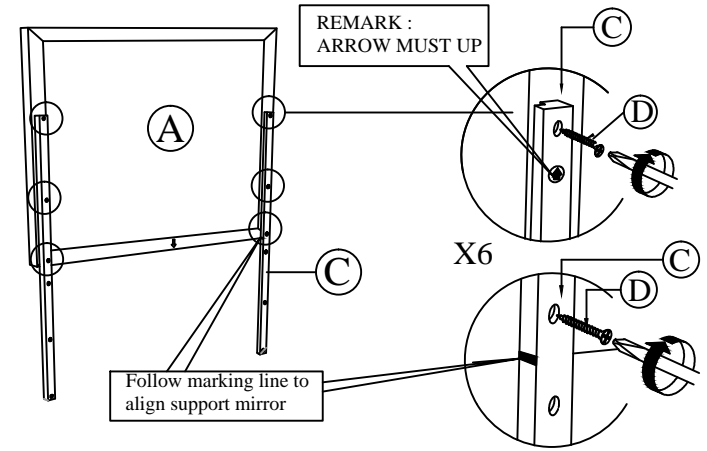
LIVING SPACES

| | | |
|---|--|---|
| A | MIRROR |  X1 |
| B | DRESSER |  X1 |
| C | MIRROR SUPPORT |  X2 |
| D | FLAT HEAD CHIPBOARD SCREW M4 x 32mm |  X12 |

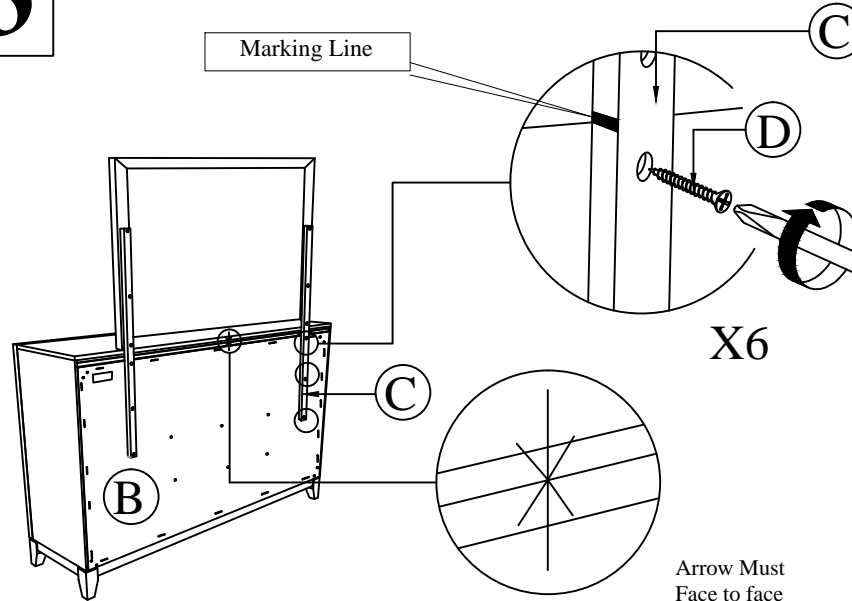
1



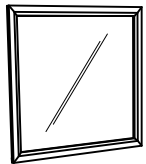
2



3



MIRROR



B4620-11
MIRROR

