

# Assembly Instructions For

## CTWOOCW ELDEN CHEST OF DRAWERS

Thank you for purchasing this quality product. Be sure to check all packing materials carefully for small parts, which may have come loose inside the carton during shipment. Identify and count all parts and compare with the **HARDWARE LIST** below.

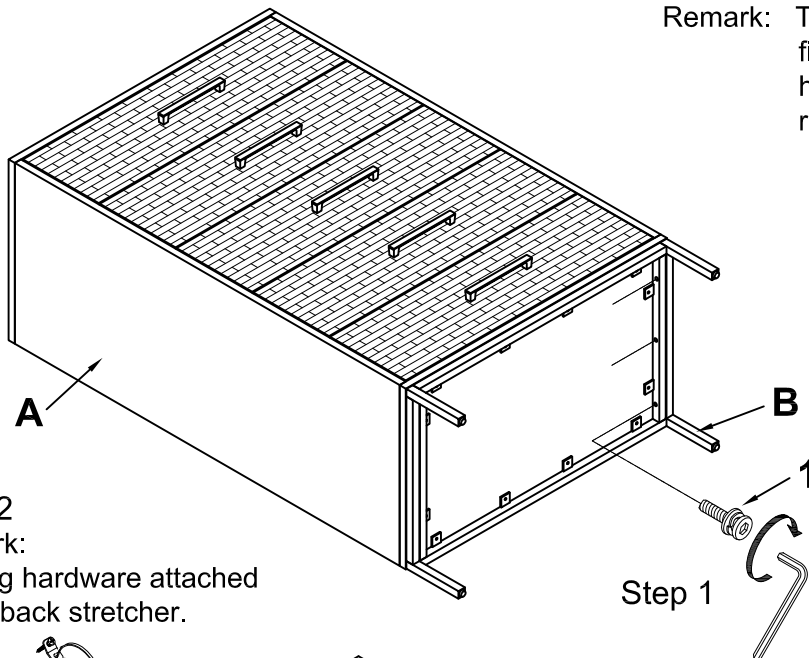
**Caution:** Please read instructions thoroughly before unpacking assembly parts.

1. We recommend that you assemble this product with the assistance of another person; this will make assembly easier, and will help to eliminate damage to the product or injury to persons during assembly.
2. Please do not over tighten screws or bolts until the assembly is completed.
3. Please put all parts on a non-abrasive floor before assembly, and follow the assembly steps to assemble your newly purchased product correctly and efficiently.

NO.	Hardware List		Q' TY
1		Ø 1/4" * 20 * 1-1/2" L Allen Bolt	6
		Ø 1/4" * Ø 11mm Spring washer	6
		Ø 1/4" * Ø 16mm * 1.5mm Flat washer	6
2		Allen wrench (4mm)	1
		Furniture tipping restraint	1

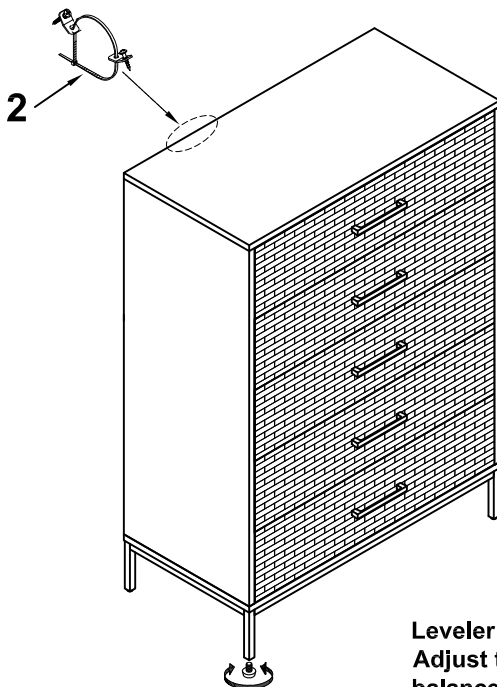
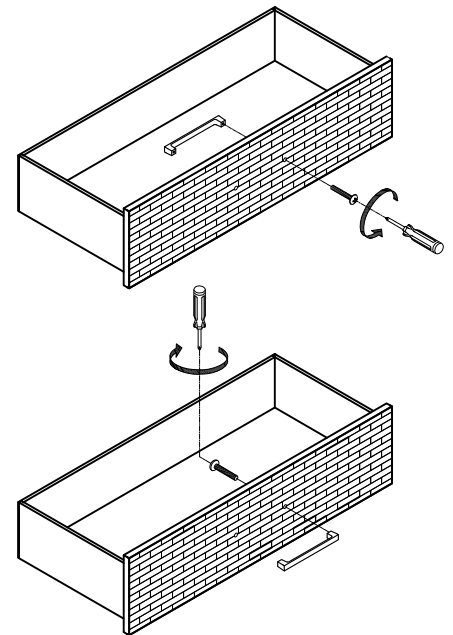
LIST OF PARTS AND HARDWARE:			
NO.	Description		Q' TY
A		Cabinet	1
B		Metal legs	2

**Remark:** The handles on drawer were reverse fixed by manufacturer, please take off handle bolt from drawer front panel and refix handle in right position.

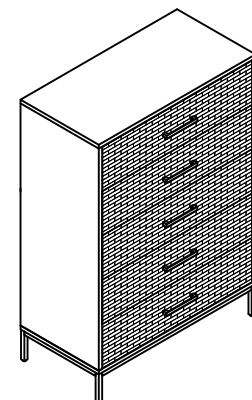


**Step 2**  
Remark:  
Tipping hardware attached to the back stretcher.

**Step 1**



**Leveler 4pcs**  
Adjust the levelers until they are balanced and touching the floor.



Assembly completed  
Made in Vietnam