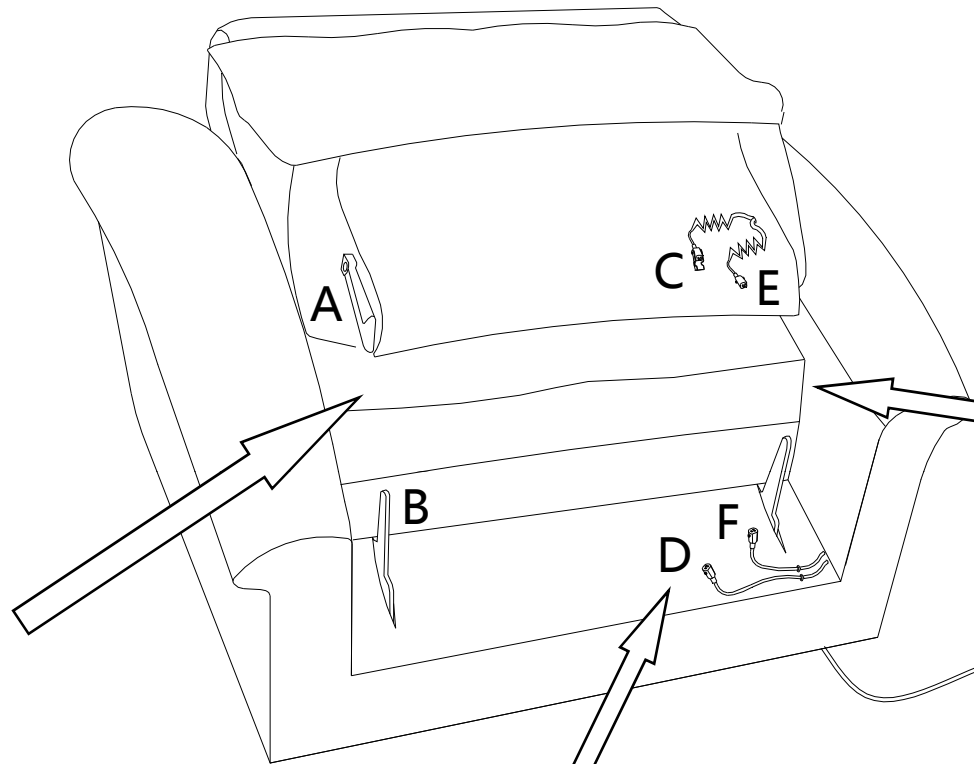
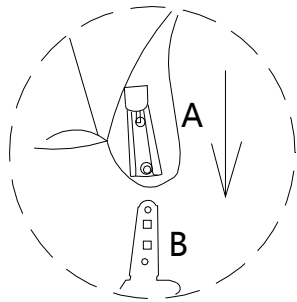
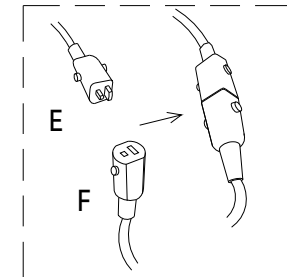


Assembly Instructions for OPTIONS-82PHRL/85PHRL

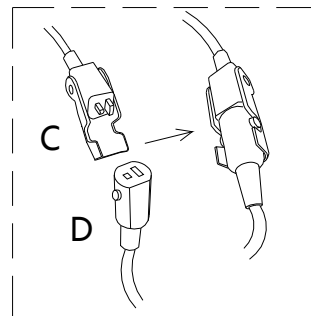
1. Slide the metal receiver over the metal post. Press both sides of back firmly downward until locked in place.



2. Locate the power cord E attached to the bottom back and connect to plug F located at the rear of seat.



2. Locate the power cord C attached to the bottom back and connect to plug D located at the rear of seat.



Note: Make sure all PLUGS are connected on the product before plugging power cord into power outlet. If not damage can occur.