

LIVING SPACES

ASSEMBLY INSTRUCTIONS

ITEM 305-P212-190-191-172

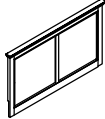
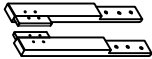




ITEM 305-P213-190-191-172

KING BED

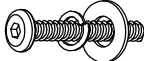
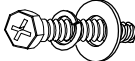



Thank you for purchasing this quality product. Be sure to check all packing material carefully for small hardware which may have come loose inside the carton during shipment. Identify and count all hardware and compare with the hardware list below.

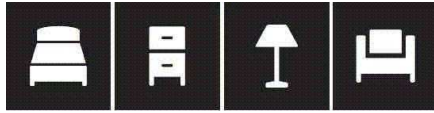
When placing furniture on non-carpeted flooring, HMI recommends the use of floor protection such as an area rug or furniture pads. Area rugs and padding not included with purchase.

PARTS LIST

No.	Description	Sketch	Quantity
1	Headboard panel		1
2	Headboard Legs (Left & Right)		2
3	Footboard Panel		1
4	Side Rail		2
5	Slats		5
6	Center leg		10

HARDWARE LIST

No.	Description	Sketch	Quantity
A	Allen bolt-Ø5/16x13x1-1/2"		6
	Flat washer-Ø5/16x19x1.5mm		
	Lock washer-Ø5/16		
B	Hex bolt Ø5/16"x1"		8
	Flat washer-Ø5/16x19x1.5mm		
	Lock washer-Ø5/16		
C	Allen wrench: 4mm		1
D	Open Wrench 13mm		1
E	Wood Screw #8x35mm		10



LIVING SPACES

ASSEMBLY INSTRUCTIONS

ITEM 305-P212-190-191-172

ITEM 305-P213-190-191-172

KING BED

Thank you for purchasing this quality product. Be sure to check all packing material carefully for small hardware which may have come loose inside the carton during shipment. Identify and count all hardware and compare with the hardware list below.

When placing furniture on non-carpeted flooring, HMI recommends the use of floor protection such as an area rug or furniture pads. Area rugs and padding not included with purchase.

