



# LIVING SPACES

## ASSEMBLY INSTRUCTIONS

ITEM 305-S260- 030

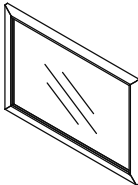
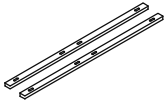
## MIRROR





Thank you for purchasing this quality product. Be sure to check all packing material carefully for small hardware which may have come loose inside the carton during shipment. Identify and count all hardware and compare with the hardware list below.

When placing furniture on non-carpeted flooring, HMI recommends the use of floor protection such as an area rug or furniture pads. Area rugs and padding not included with purchase.

### PARTS LIST

### HARDWARE LIST

No.	Description	Sketch	Quantity
1	Mirror		1
2	Mirror Support		2

No.	Description	Sketch	Side	Quantity
A	Allen Bolt		ø1/4"*1-1/2"	8
B	Lock washer		ø1/4"	8
C	Flat washer		ø1/4"*19*2mm	8
D	Allen key		ø1/4"	1

# ASSEMBLY INSTRUCTIONS

## ITEM 305-S260-030 MIRROR

