



LIVING SPACES

ASSEMBLY INSTRUCTIONS

ITEM: 305-S260-270 6/0-6/6 HEADBOARD
305-S260-273 6/0-6/6 STORAGE FOOTBOARD
305-S260-418 6/0 STORAGE SIDE RAILS
305-SLATR-66 6/6 SLATS

Thank you for purchasing this quality product. Be sure to check all packing material carefully for small hardware which may have come loose inside the carton during shipment. Identify and count all hardware and compare with the hardware list below.

When placing furniture on non-carpeted flooring, HMI recommends the use of floor protection such as an area rug or furniture pads. Area rugs and padding not included with purchase.

PARTS LIST:			
NO.	DESCRIPTION	SKETCH	Q'TY
1	HEADBOARD PANEL		1 PC
2	HEAD BOARD LEGS(L&R)		2 PCS
3	HEADBOARD BOTTOM RAIL		1 PC
4	STORAGE FOOTBOARD		1 PC
5	STORAGE FOOTBOARD SUPPORT LEGS		2 PCS
6	STORAGE SIDE RAIL (L&R)		2 PCS
7	STORAGE SIDE RAIL SUPPORT LEGS		4 PCS
8	SIDE RAIL TOP		2 PCS
9	SLATS (13 PCS)		1 SET
10	SUPPORT SLAT		7 PCS

HARDWARE LIST: HEADBOARD				
NO.	DESCRIPTION	SKETCH	SIDE	Q'TY
A	ALLEN BOLT		ø5/16"*2-1/4"	8 PCS
B	LOCK WASHER		ø5/16"	8PCS
C	FLAT WASHER		ø5/16"*19*2mm	8PCS
D	ALLEN WRENCH		ø5/16"	1PC

HARDWARE LIST: STORAGE FOOTBOARD				
NO.	DESCRIPTION	SKETCH	SIDE	Q'TY
E	ALLEN BOLT		ø5/16"*1-1/2"	4 PCS
F	LOCK WASHER		ø5/16"	4PCS
G	FLAT WASHER		ø5/16"*19*2mm	4PCS
H	ALLEN WRENCH		ø5/16"	1PC

HARDWARE LIST: STORAGE SIDE RAIL				
NO.	DESCRIPTION	SKETCH	SIDE	Q'TY
I	ALLEN BOLT		ø5/16"*1-1/2"	8 PCS
J	LOCK WASHER		ø5/16"	16PCS
K	FLAT WASHER		ø5/16"*16*2mm	16PCS
M	HANGER BOLT		ø5/16"*3-1/2"	8PCS
N	HEX NUT		ø5/16"	8PCS
L	OPEN WRENCH		ø5/16"	1PC
O	ALLEN WRENCH		ø5/16"	1PC
P	ALLEN BOLT		ø1/4"*2-3/8"	16 PCS
Q	LOCK WASHER		ø1/4"	16PCS
R	FLAT WASHER		ø1/4"*16*2mm	16PCS
S	ALLEN WRENCH		ø1/4"	1PC
T	SCREW		ø5/16"*1"	26PCS

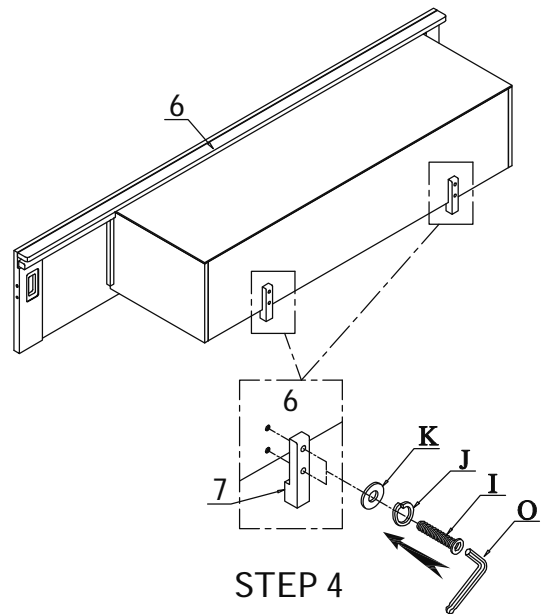
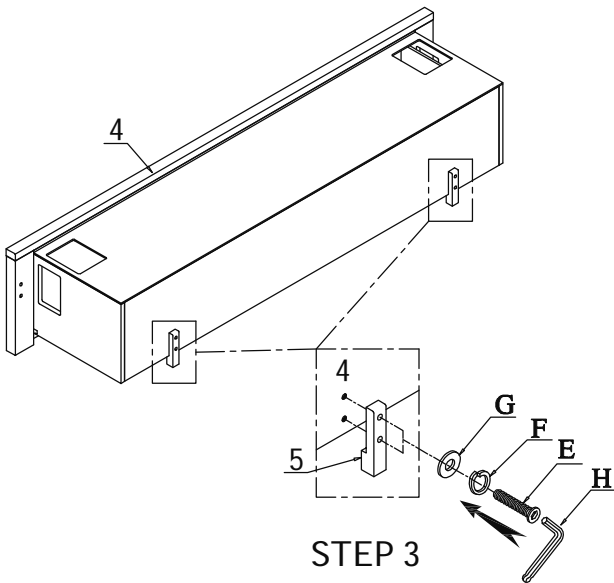
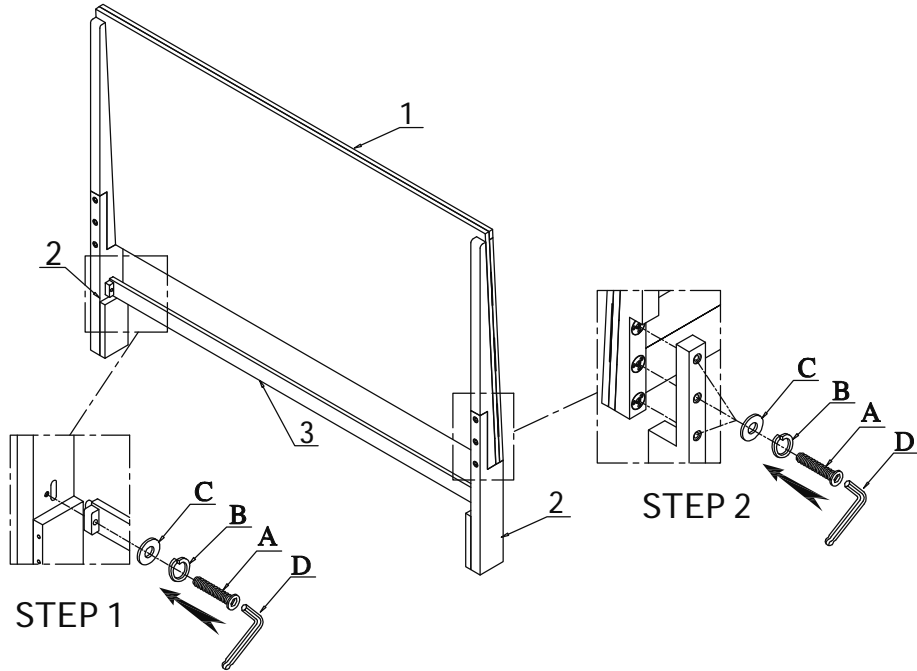
TOOLS REQUIRED (NOT PROVIDED)



PHILLIPS SCREWDRIVER

ASSEMBLY INSTRUCTIONS

ITEM: 305-S260-270 6/0-6/6 HEADBOARD
305-S260-273 6/0-6/6 STORAGE FOOTBOARD
305-S260-418 6/0 STORAGE SIDE RAILS
305-SLATR-66 6/6 SLATS



ASSEMBLY INSTRUCTIONS

ITEM: 305-S260-270 6/0-6/6 HEADBOARD
305-S260-273 6/0-6/6 STORAGE FOOTBOARD
305-S260-418 6/0 STORAGE SIDE RAILS
305-SLATR-66 6/6 SLATS

