

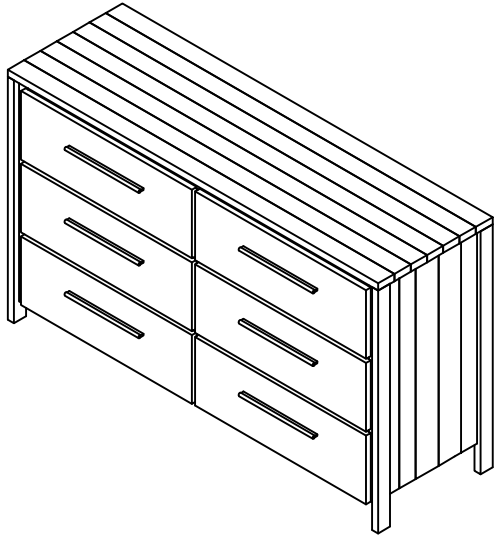
COLTON MIRROR ASSEMBLY INSTRUCTIONS



PARTS PACKING CONFIGURATIONS

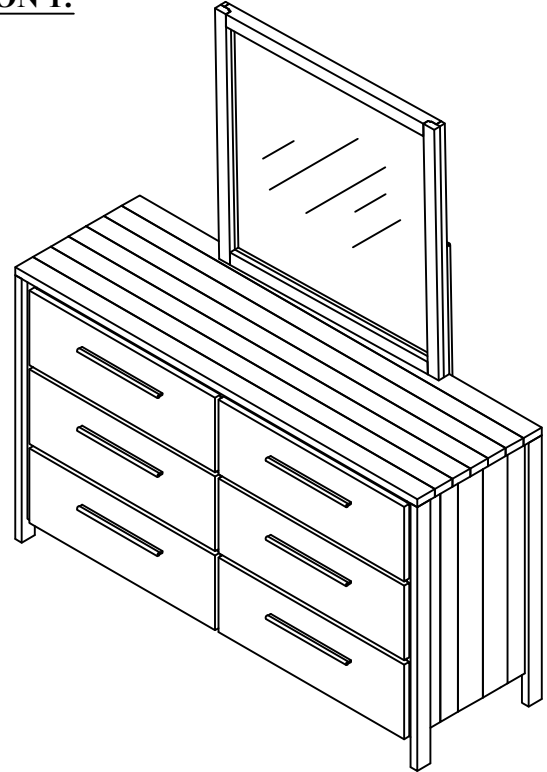
BOX #1:

A. DRESSER (1PC) :



COLTON MIRROR ASSEMBLED :

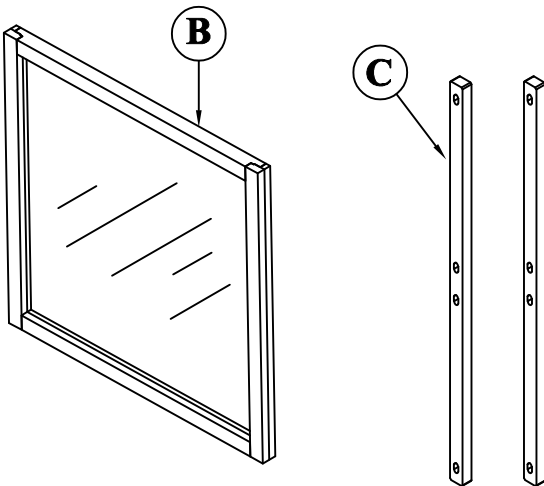
OPTION 1:



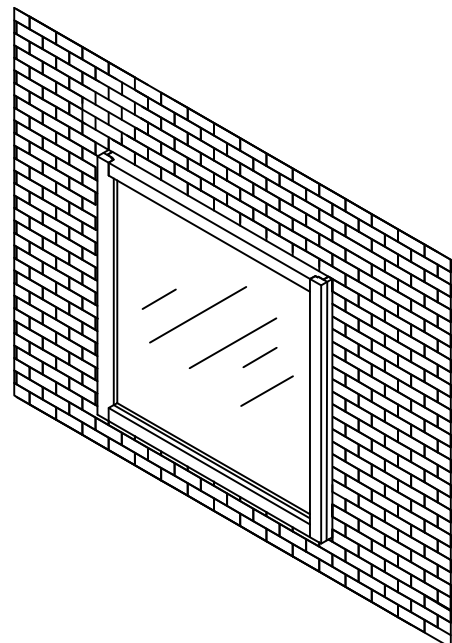
BOX #2:

B. MIRROR (1PC) :

C. MIRROR SUPPORT (2PCS)



OPTION 2:



HARDWARE PACKED IN BOX #2

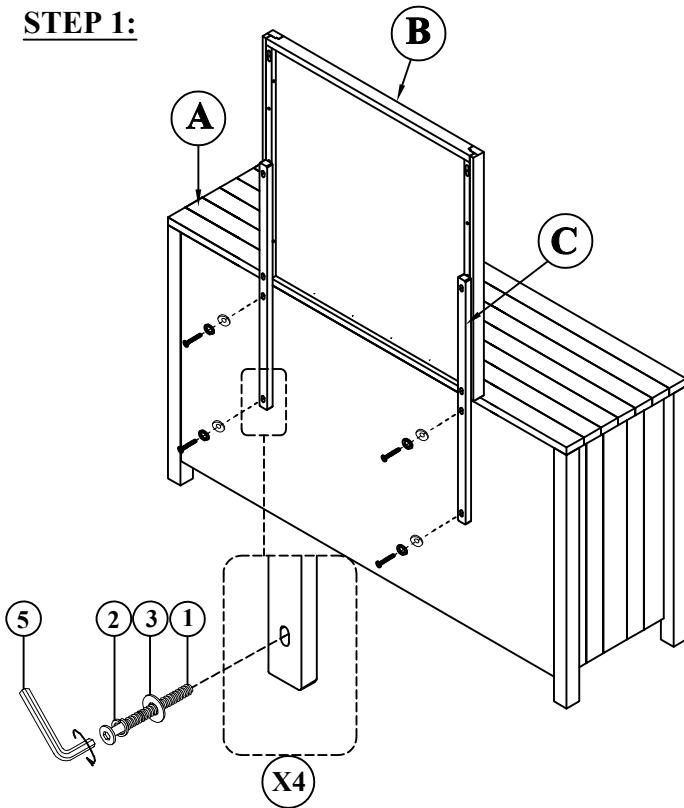
No	Description	Photo	Quantity
1	ALLEN BOLT (M6X44)		8 PCS
2	SPRING WASHER (M6)		8 PCS
3	FLAT WASHER (M6)		8 PCS
4	WOOD SCREW (M4X40)		2 PCS
5	ALLEN KEY		1 PC

COLTON MIRROR ASSEMBLY INSTRUCTIONS

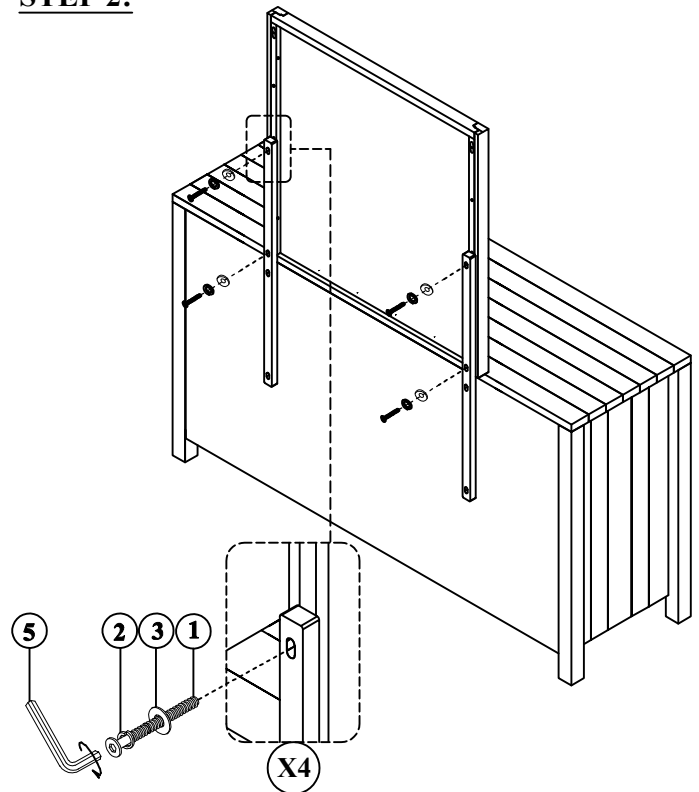


OPTION 1:

STEP 1:



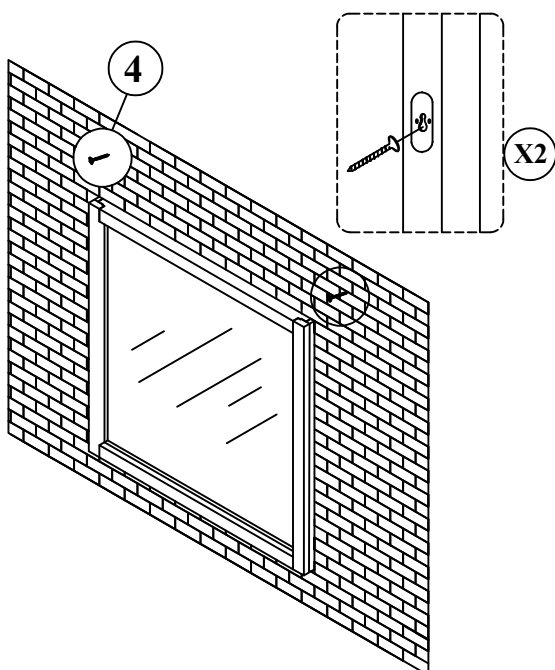
STEP 2:



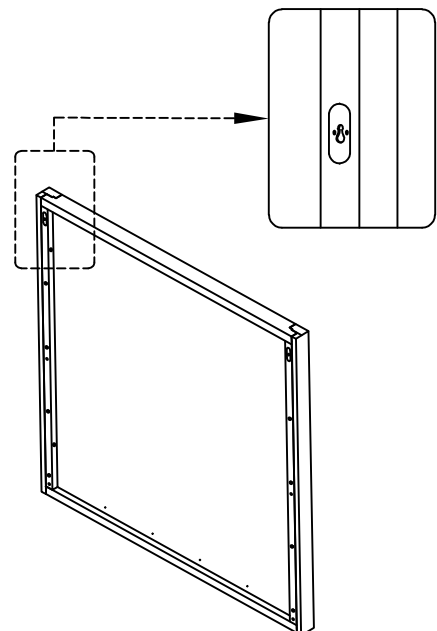
OPTION 2:

ATTACHING MIRROR TO WALL.

INSTALL MOUNTING HARDWARE INTO THE THE WALL WHERE YOU WOULD LIKE TO HANG THE MIRROR. MAKE SURE THE DISTANCE BETWEEN THE MOUNTING HARDWARE ON THE WALL MATCHES THE DISTANCE BETWEEN THE MOUNTING BRACKETS ON THE MIRROR. TEST THE CONNECTION OF THE MOUNTING BRACKET TO THE MIRROR BEFORE USING. NOTE! WE RECOMMEND INSTALLING THE MOUNTING HARDWARE INTO WALL STUDS OR A BOARD THAT IS SECURED TO THE STUDS. CONSULT A PROFESSIONAL INSTALLER BEFORE MOUNTING TO DRYWALL.



FRONT VIEW OF MIRROR



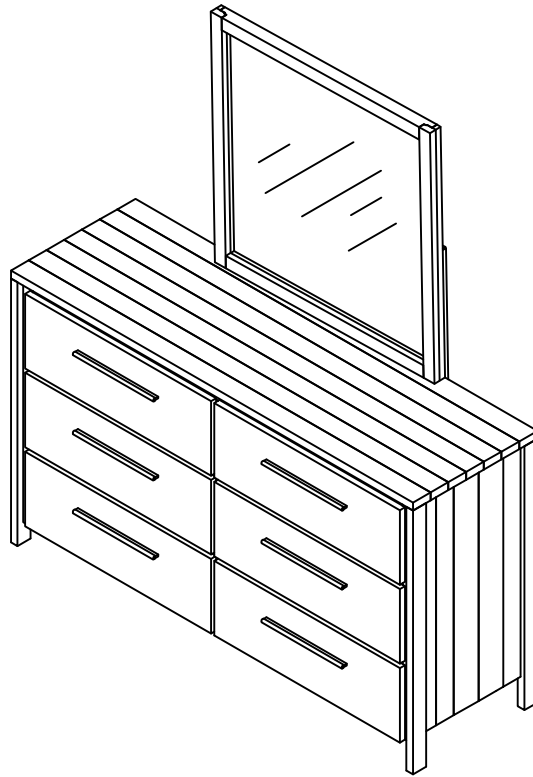
BACK VIEW OF MIRROR

COLTON MIRROR ASSEMBLY INSTRUCTIONS



COLTON MIRROR FULLY ASSEMBLED :

OPTION 1:



OPTION 2:

