



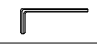

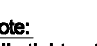



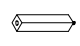
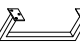
# Assembly Instructions For CLARK-DRESSER

- CAUTION:** PLEASE READ ALL INSTRUCTIONS BEFORE STARTING THE ASSEMBLY OF THIS PRODUCT. THESE PIECES ARE HEAVY. IN ORDER TO PREVENT PERSONAL INJURY AND ENSURE THAT THIS PRODUCT IS NOT DAMAGED DURING THE ASSEMBLY PROCESS, IT IS STRONGLY RECOMMENDED THAT YOU ENLIST THE ASSISTANCE OF ONE OR MORE PEOPLE.
- ATTENTION:** VEUILLEZ LIRE TOUJOURS LES INSTRUCTIONS AVANT DE COMMENCER L'ASSEMBLAGE DE CE PRODUIT. LES PIÈCES SONT LOURDES. POUR ÉVITER TOUTE BLESSURE ET POUR VOUS ASSURER QUE LE PRODUIT N'EST PAS ENDOMMAGÉ PENDANT L'ASSEMBLAGE, NOUS VOUS RECOMMANDONS DE FAIRE APPEL À UNE OU PLUSIEURS AUTRES PERSONNES.
- CUIDADO:** FAVOR DE LEER TODAS LAS INSTRUCCIONES ANTES DE ENSAMBLAR SU PRODUCTO. ESTAS PIEZAS SON PESADAS. PARA PREVENIR HERIDAS PERSONALES Y ASEGURAR QUE SU PRODUCTO NO SEA DAÑADO MIENTRAS ES ANSAMBLADO, SE RECOMIENDA LA ASISTENCIA DE UNA O MÁS PERSONAS.

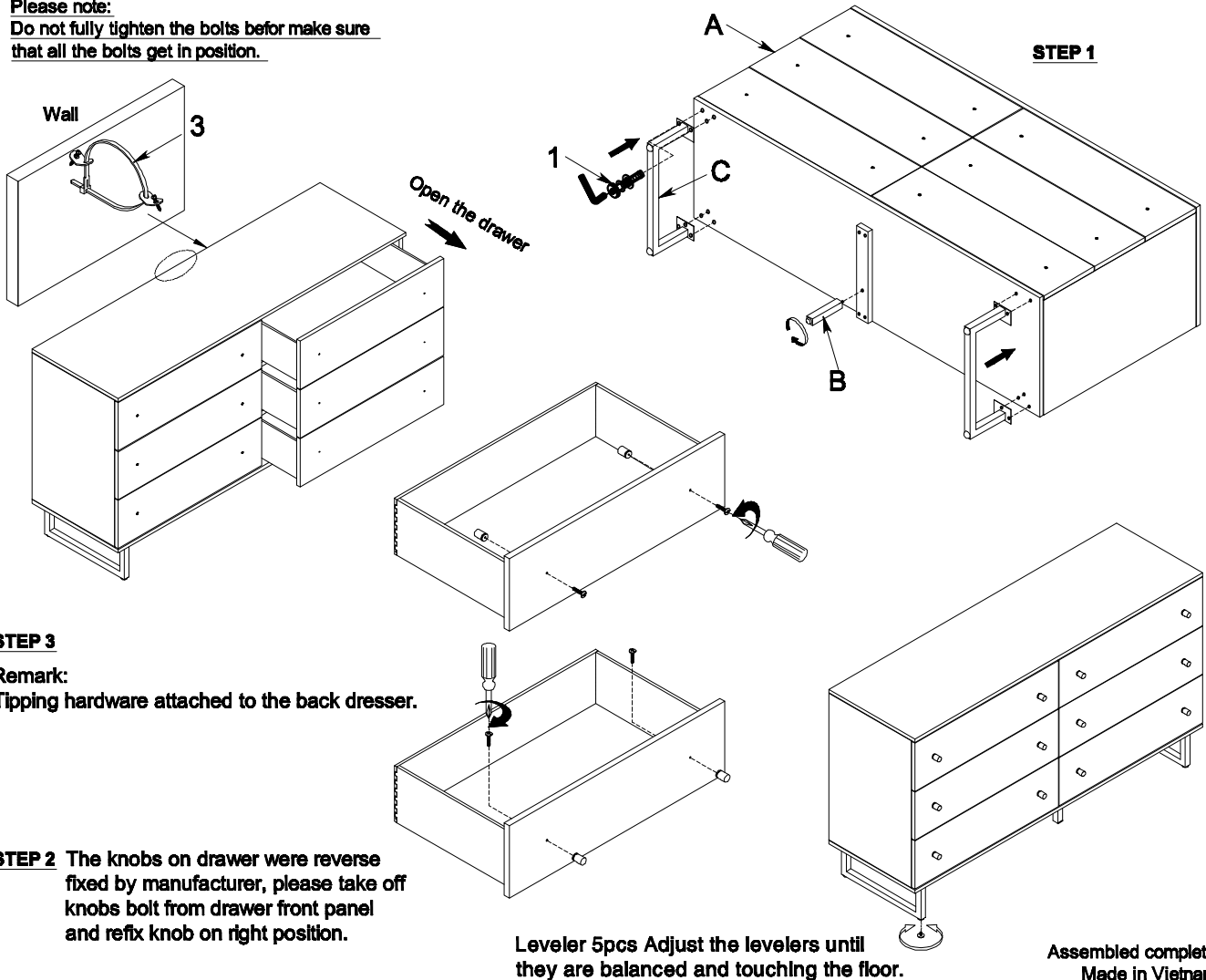
**WARNING.....**PROTECTIVE GLIDE IS PLACED UNDER LEGS OF FURNITURE TO RESIST SCRATCHES TO FLOOR SURFACE. SOME FLOOR SURFACES CAN BE EXTRA SENSITIVE TO MARKING. IF YOU ARE NOT SURE CONSULT WITH YOUR DEALER.

**AVERTISSEMENT...** LES PIEDS DES MEUBLES SONT MUNIS DE PAINTS DESTINÉS À PROTÉGER LE PLANCHER. CERTAINS REVÊTEMENTS DE SOL PEUVENT ÊTRE TRÈS FRAGILES. EN CAS DE DOUTE, CONSULTER LA MARCHAND.

LIST OF PARTS AND HARDWARE			
NO.	Description		Q' TY
1		1/4" * 3/4"L Allen Bolt	12
		1/4" * Ø12mm Spring washer	12
		1/4" * Ø19mm*1.5mm Flat washer	12
		Allen Wrench (4mm)	1
3		Furniture tipping restraint	1

LIST OF PARTS AND HARDWARE			
NO.	Description		Q' TY
A		Dresser	1
B		Support Leg	1
C		Metal leg	2

**Please note:**  
Do not fully tighten the bolts before make sure that all the bolts get in position.



### STEP 3

**Remark:**  
Tipping hardware attached to the back dresser.

**STEP 2** The knobs on drawer were reverse fixed by manufacturer, please take off knobs bolt from drawer front panel and refix knob on right position.

**Leveler 5pcs** Adjust the levelers until they are balanced and touching the floor.

Assembled complete  
Made in Vietnam