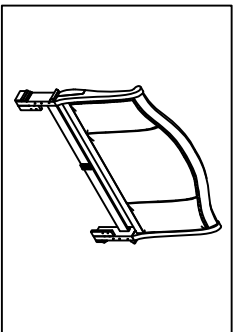


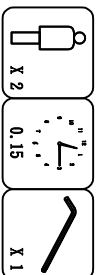


LIVING SPACES

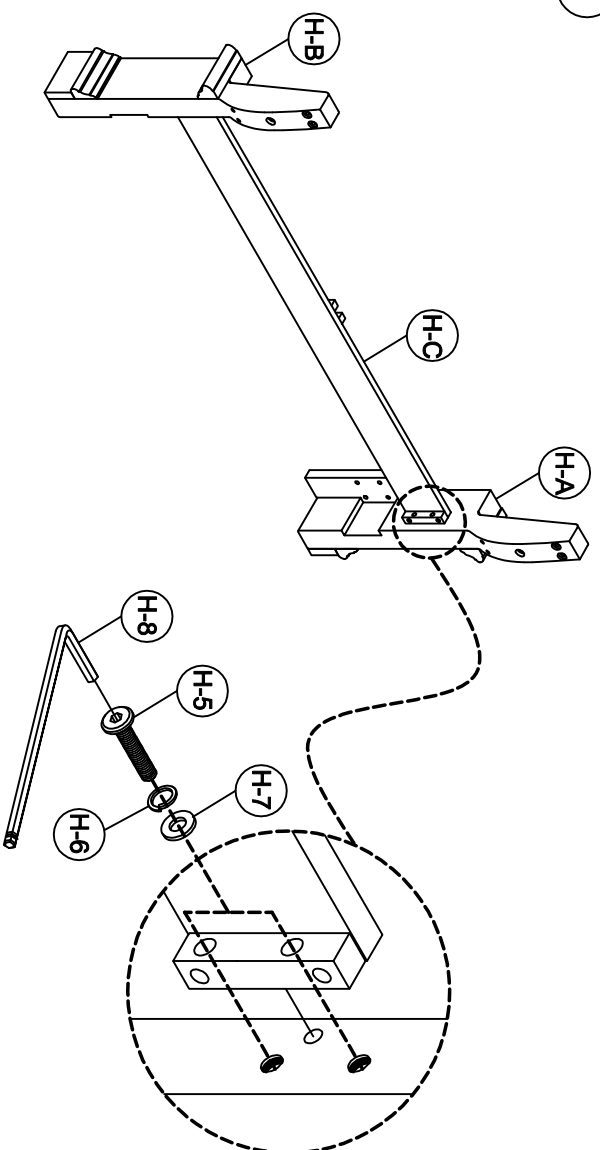
H-A	5932		X 1
H-B	5934		X 1
H-C	5940		X 1
H-1	7002 Parts H-2 - H-8		X 1
H-2	Ø5/16" x 82mm Allen Head Bolt		X 6
H-3	Ø5/16" x Ø12mm Spring Washer		X 6
H-4	Ø5/16" x Ø19mm Flat Washer		X 6
H-5	Ø1/4" x 38mm Allen Head Bolt		X 4
H-6	Ø1/4" x Ø10mm Spring Washer		X 4
H-7	Ø1/4" x Ø16mm Flat Washer		X 4
H-8	4 x 59mm Allen Key		X 1



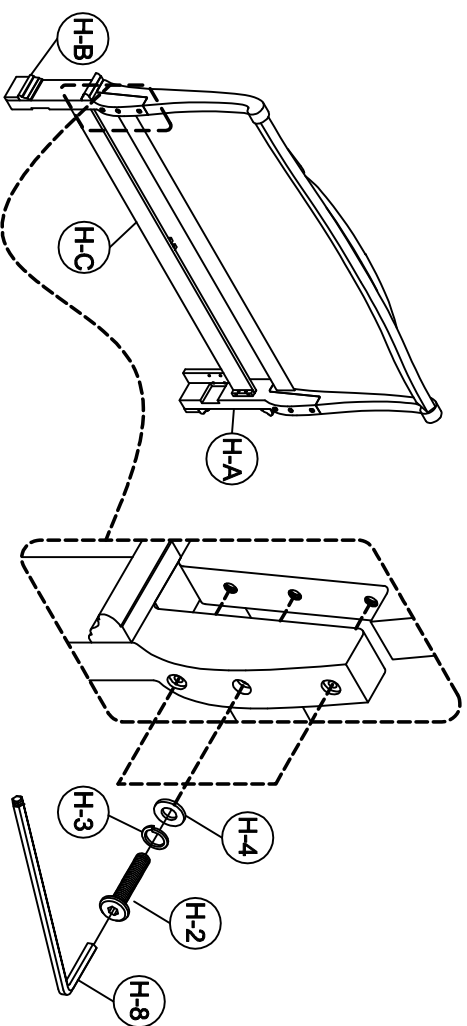
Chapman Bedroom
Assembly Instructions
67180 - 60-66 Uph Sleigh Hood

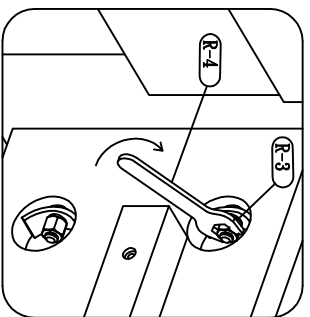
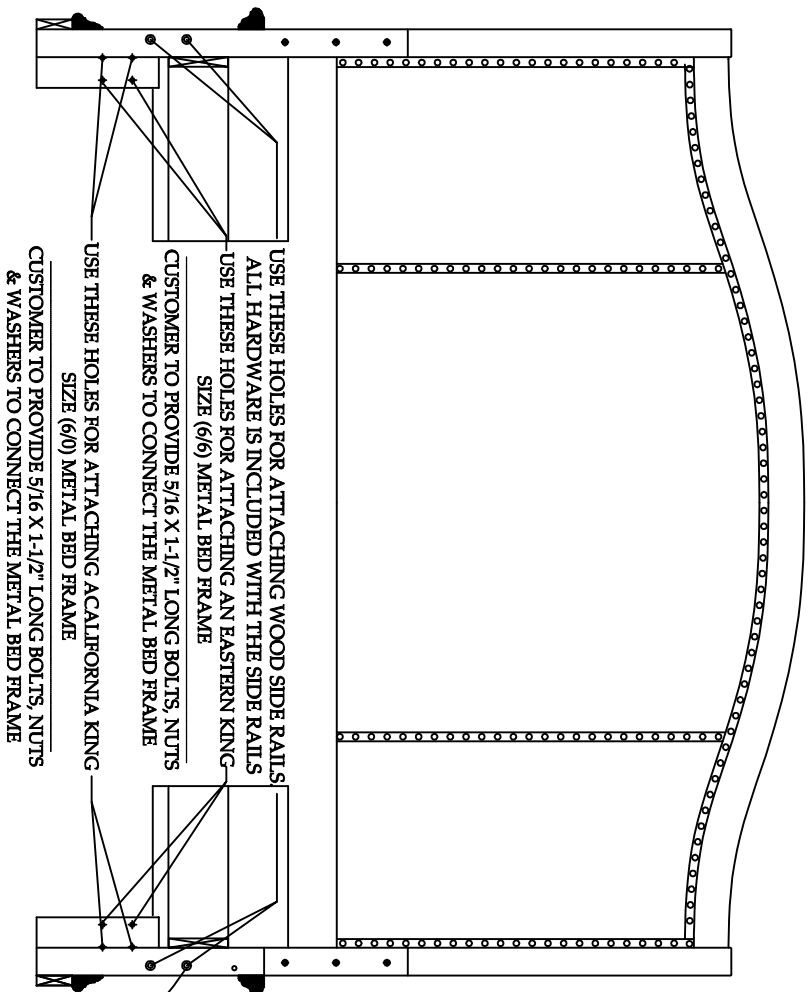


1



2

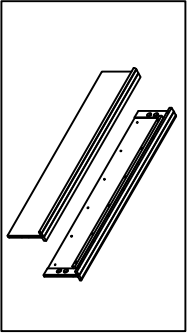




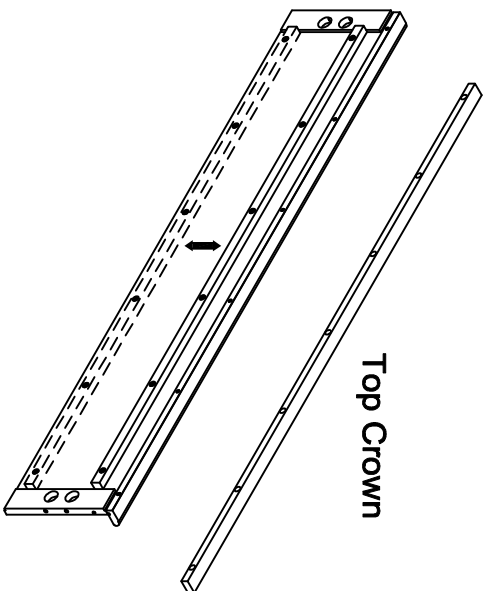
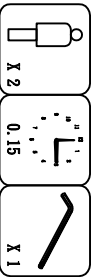


LIVING SPACES

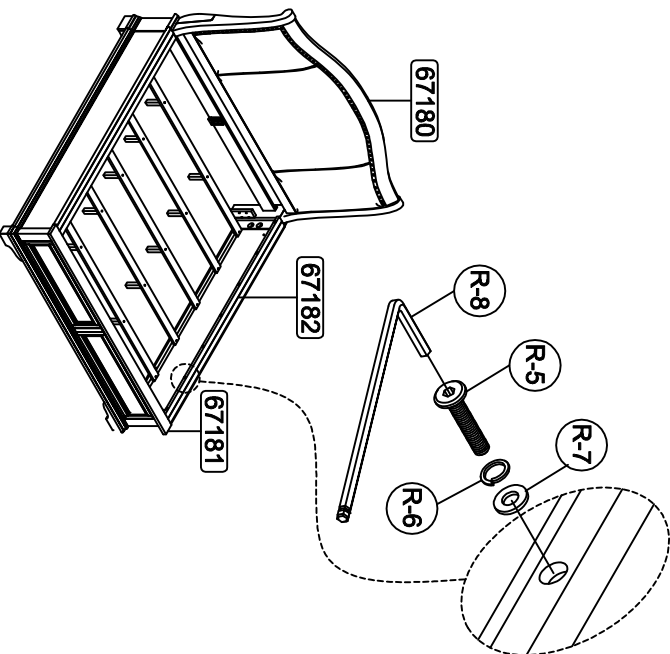
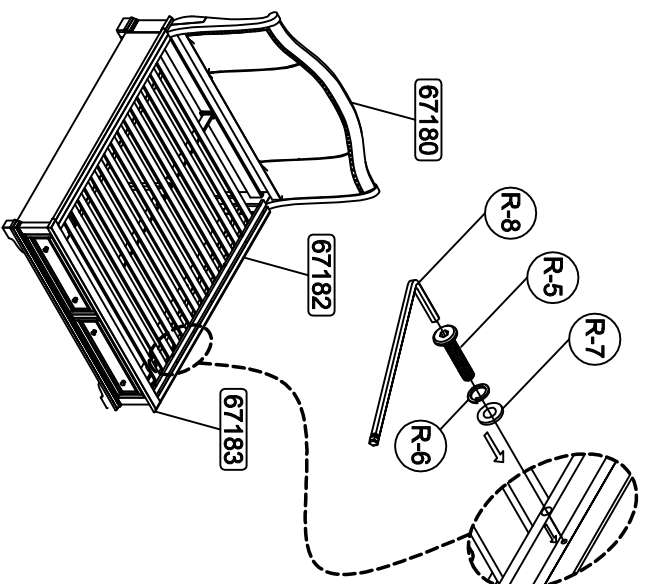
R-A	Uph Sleigh Bed Rail		X 2
R-B	Top Rail		X 2
R-1	7002 Parts R-2 - R-8		X 1
R-2	Ø5/16" x 76mm Long Bolt		X 8
R-3	Ø5/16" - 18 Arc Washer & Nut		X 8
R-4	13 mm Open Wrench		X 1
R-5	Ø1/4" x 56mm Allen Head Bolt		X 14
R-6	Ø1/4" x Ø10mm Spring Washer		X 14
R-7	Ø1/4" x Ø16mm Flat Washer		X 14
R-8	M4 x 56mm Allen key		X 1



Chapman Bedroom
Assembly Instructions
67182 -- 6/0 Bed Rails



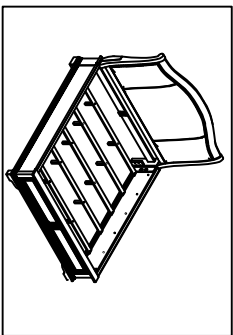
Top Crown





LIVING SPACES

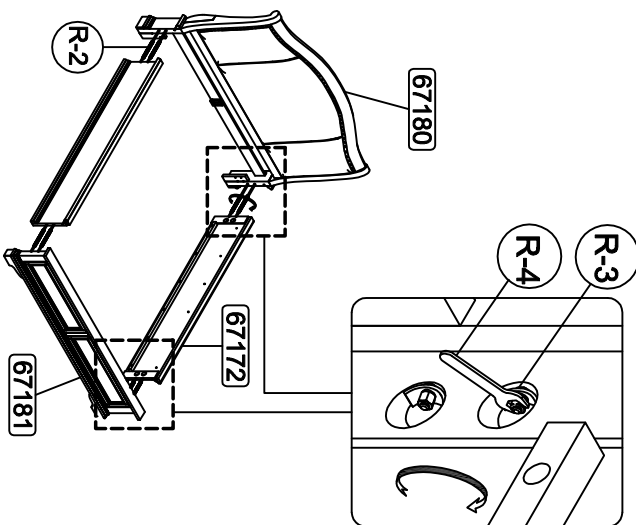
F-A	Panel Footboard		X 1
F-B	5904		X 5
F-C	5906		X 10
F-1	7002 Part F-2		X 1
F-2	Ø8 x 30mm Wood Screw		X 10



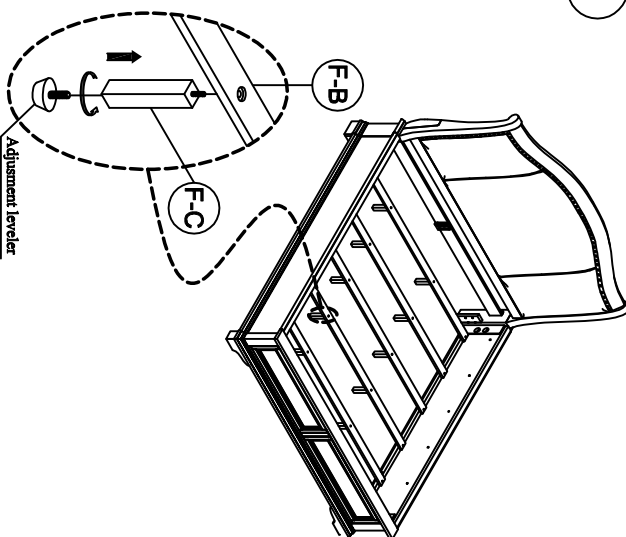
Chapman Bedroom
 Assembly Instructions
 60-6/6 King Bed
 67180 - 60-6/6 Uph Sleigh Hdbd
 67181 - 60-6/6 Panel Footboard & Slats
 67172 - 50-6/6 Bed Rails



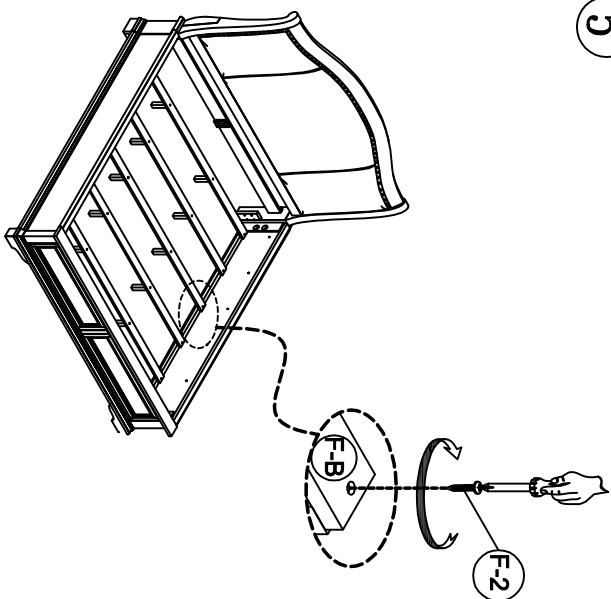
3



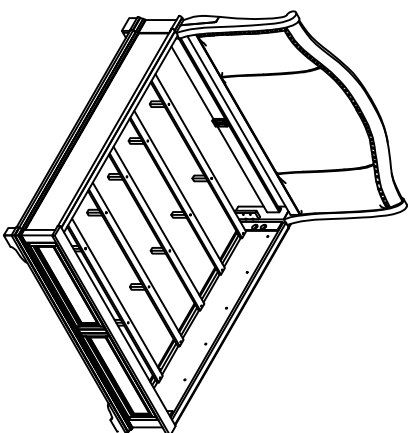
4



5



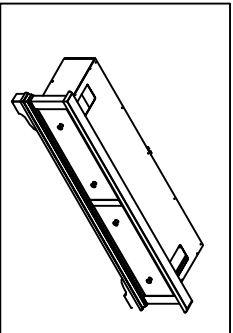
6



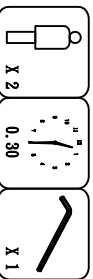


LIVING SPACES

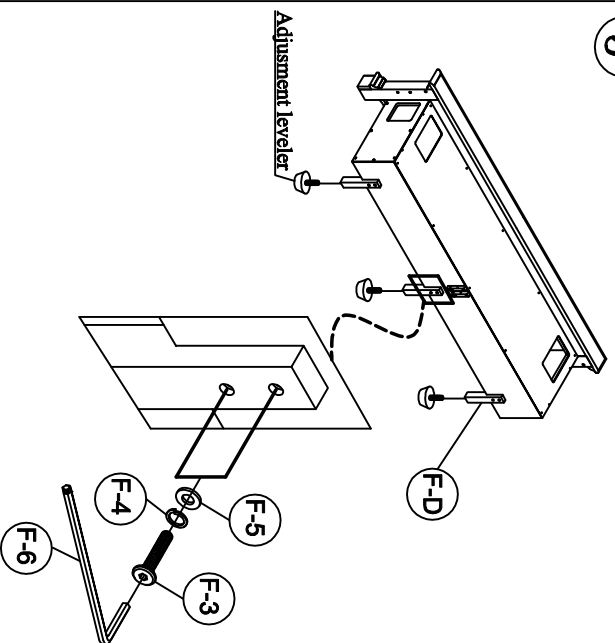
F-A	5901		X 15
F-B	5906		X 1
F-C	5905		X 2
F-D	5912		X 3
F-1	7002		X 1
F-2	Ø1/4" x 56mm Allen Head Bolt		X 2
F-3	Ø1/4" x 38mm Allen Head Bolt		X 8
F-4	Ø1/4" x Ø10mm Spring Washer		X 10
F-5	Ø1/4" x Ø19mm Flat Washer		X 10
F-6	M4 x 56mm Allen key		X 1
F-7	Ø8 x 30mm Wood Screw		X 32



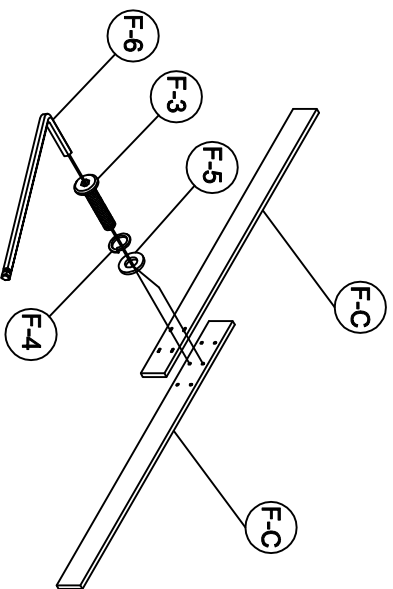
Chapman Bedroom
 Assembly Instructions
 60-6/6 King Bed
 67180 - 60-6/6 Uph Sleigh Head
 67183 - 60-6/6 Storage Footboard & Slats
 67172 - 60-6/6 Bed Rails



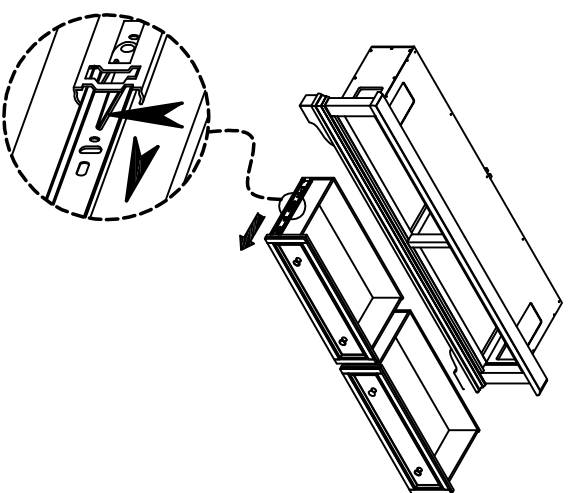
3



5



4



6

