



LIVING SPACES

ASSEMBLY INSTRUCTIONS

ITEM 305-P127240 / 241

RECTANGULAR TABLE

Thank you for purchasing this quality product. Be sure to check all packing material carefully for small hardware which may have come loose inside the carton during shipment. Identify and count all hardware and compare with the hardware list below.

When placing furniture on non-carpeted flooring, HMI recommends the use of floor protection such as an area rug or furniture pads. Area rugs and padding not included with purchase.

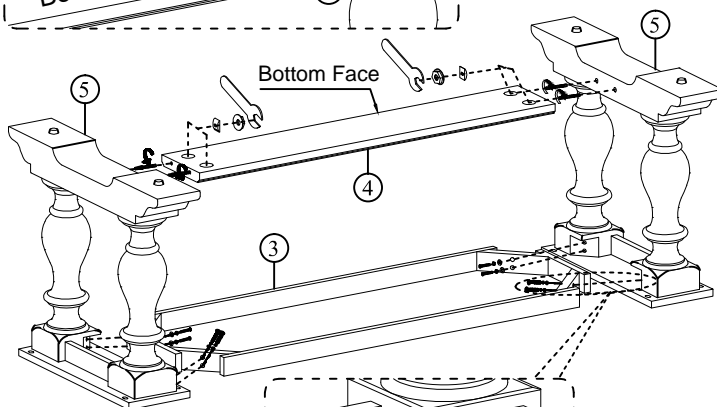
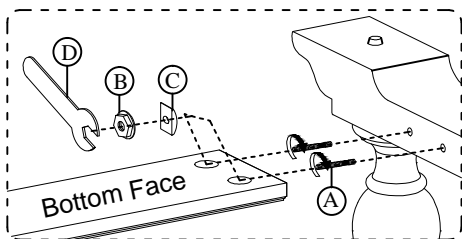
PARTS LIST

No.	Description	Sketch	Q.ty
1	Table Top		1
2	Extension Leaf		2
3	Assembly Frame		1
4	Stretcher		1
5	Leg		2

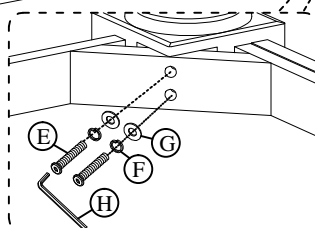
HARDWARE LIST

No.	Description	Sketch	Size	Q.ty
A	Hanger Bolt		Ø5/16" x 3-1/2"	4
B	Hanger Nut		Ø5/16"	4
C	Flat washer		Ø5/16" x 28 x 14	4
D	Wrench		12 mm	1
E	Allen Bolt		Ø5/16 " x 2-1/4"	8
F	Lock washer		Ø5/16 "	16
G	Flat washer		Ø5/16 " x 3/4 "	16
H	Allen Key		M4	1
K	Allen Bolt		Ø5/16 " x 1-3/4"	8

STEP 1



STEP 2





LIVING SPACES

ASSEMBLY INSTRUCTIONS

ITEM 305-P127240 / 241

RECTANGULAR TABLE

