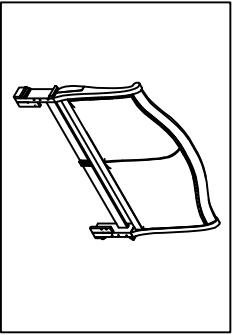




LIVING SPACES

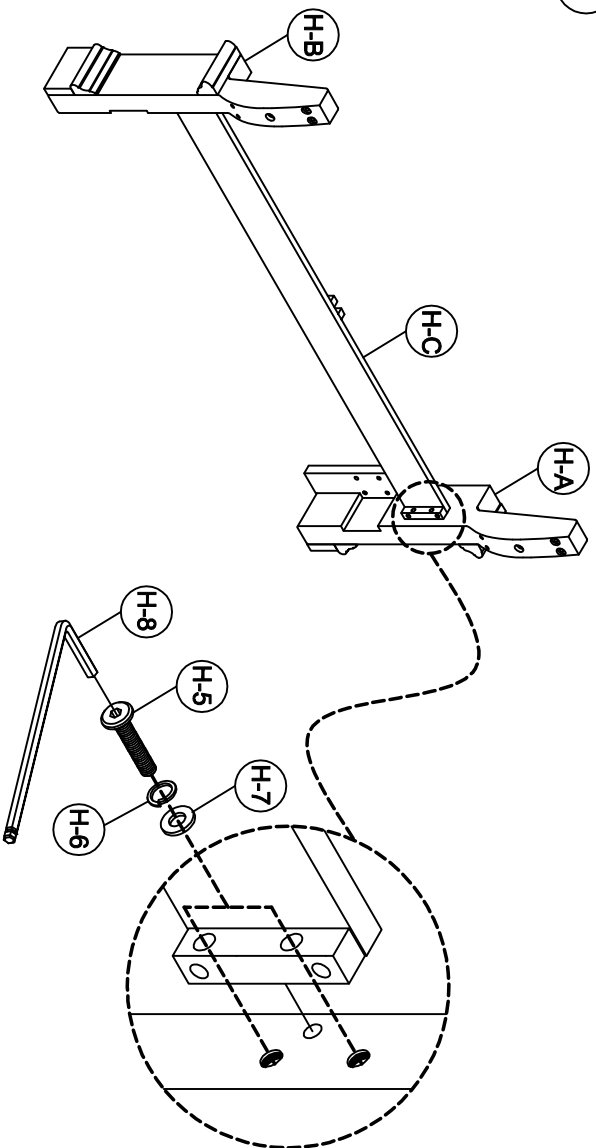
H-A	5932		X 1
H-B	5934		X 1
H-C	5940		X 1
H-1	7002 Parts H-2 - H-8		X 1
H-2	Ø5/16" x Ø2mm Allen Head Bolt		X 6
H-3	Ø5/16" x Ø12mm Spring Washer		X 6
H-4	Ø5/16" x Ø19mm Flat Washer		X 6
H-5	Ø1/4" x 38mm Allen Head Bolt		X 4
H-6	Ø1/4" x Ø10mm Spring Washer		X 4
H-7	Ø1/4" x Ø18mm Flat Washer		X 4
H-8	4 x 59mm Allen Key		X 1



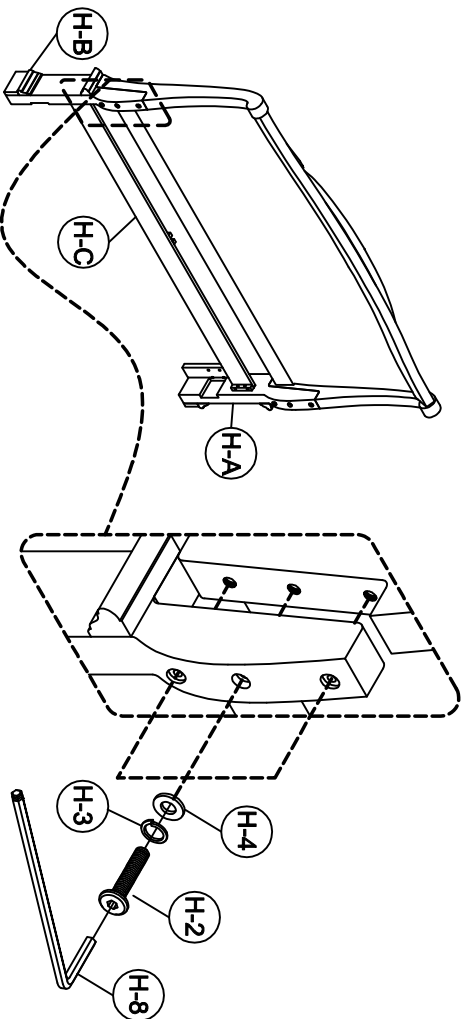
Chapman Bedroom
Assembly Instructions
67170 – 4/8-8/0 Uph Sleigh Hdhd

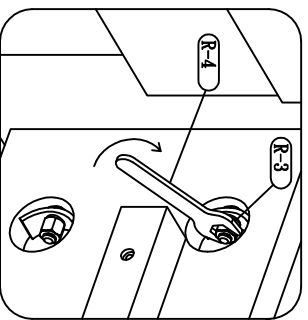
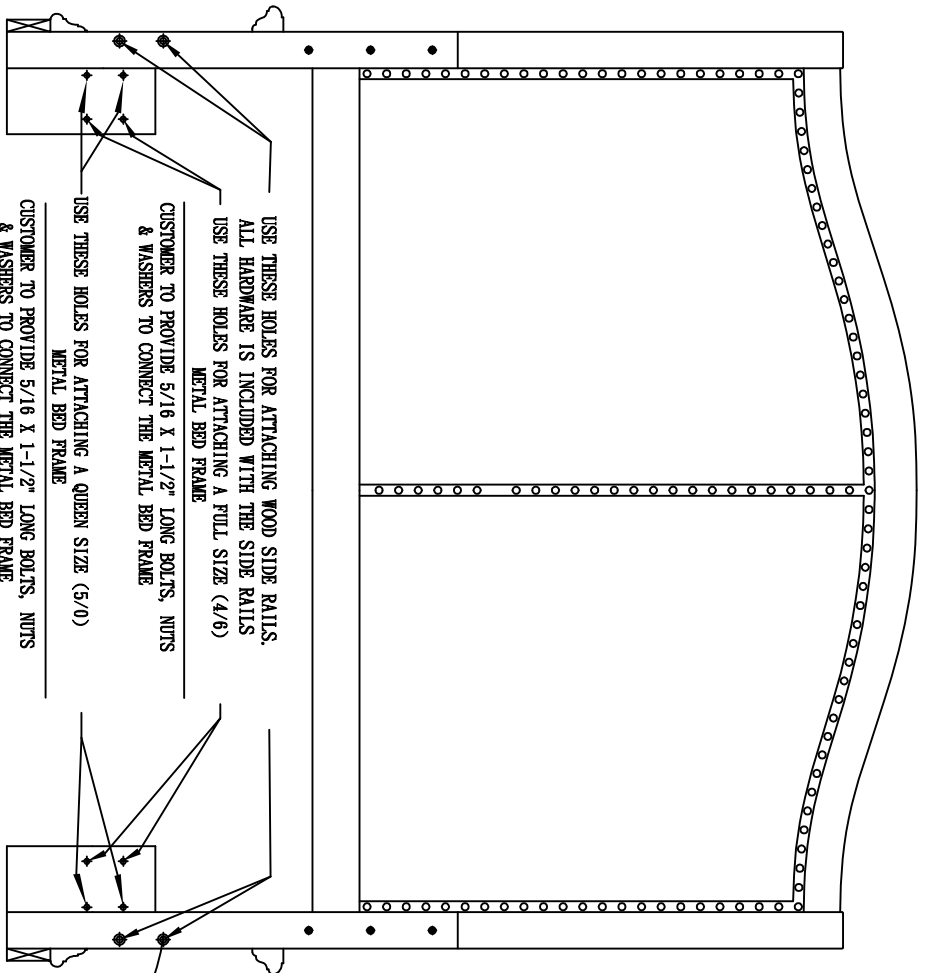


1



2

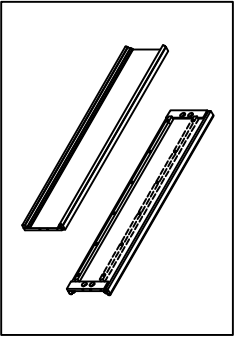




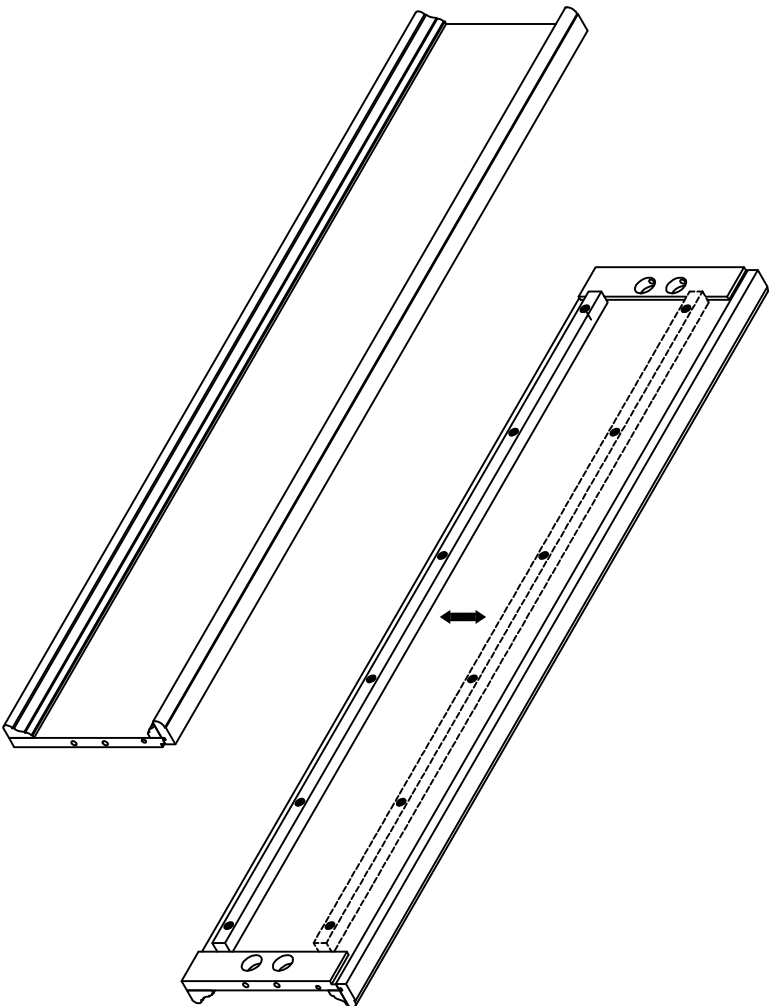
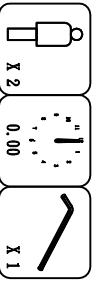


LIVING SPACES

R-A	Upn Sleigh Head		X 2
R-1	7002 Parts R-2 - R-4		X 1
R-2	Ø5/16" x 78mm Long Bolt		X 8
R-3	Ø5/16" -18 Arc Washer & Nut		X 8
R-4	13 mm Open Wrench		X 1



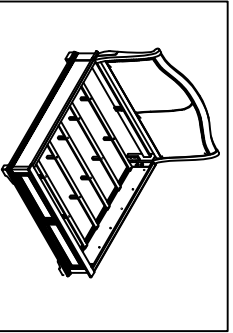
Chapman Bedroom
Assembly Instructions
67172 - 50-5/6 Bed Rails



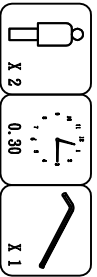


LIVING SPACES

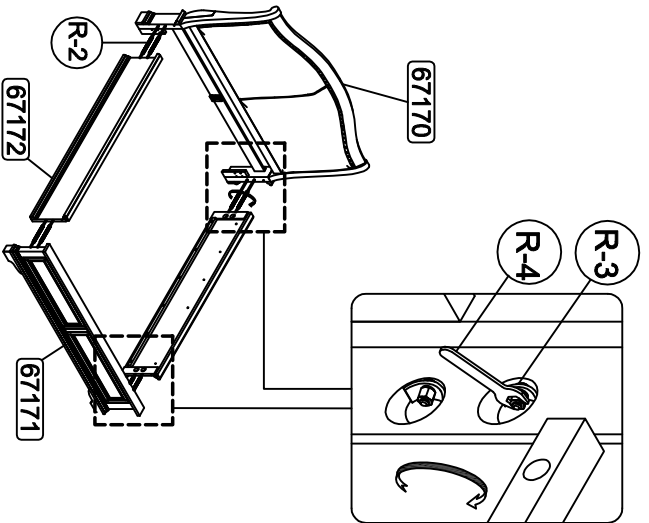
F-A	Panel Footboard		X 1
F-B	5904		X 5
F-C	5906		X 5
F-1	7002 Part F-2		X 1
F-2	Ø8 x 30mm Wood Screw		X 10



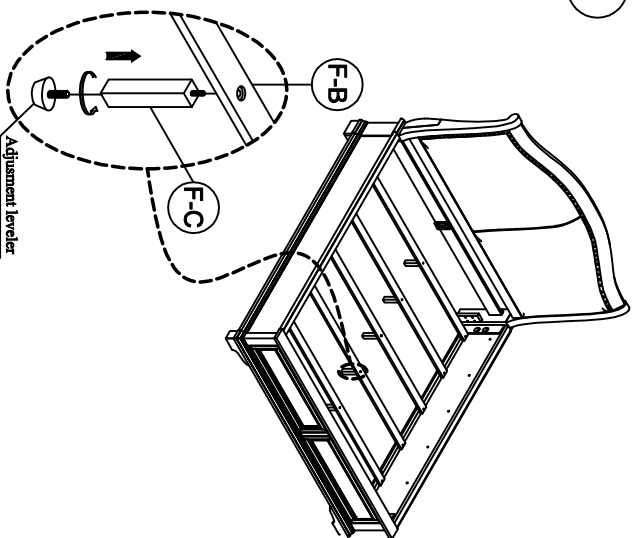
Chapman Bedroom
 Assembly Instructions
 4/6-5/0 Queen Bed
 67170 - 4/6-5/0 Uph. Sleigh Head
 67171 - 5/0 Panel Footboard & Rails
 67172 - 5/0-6/6 Bed Rails



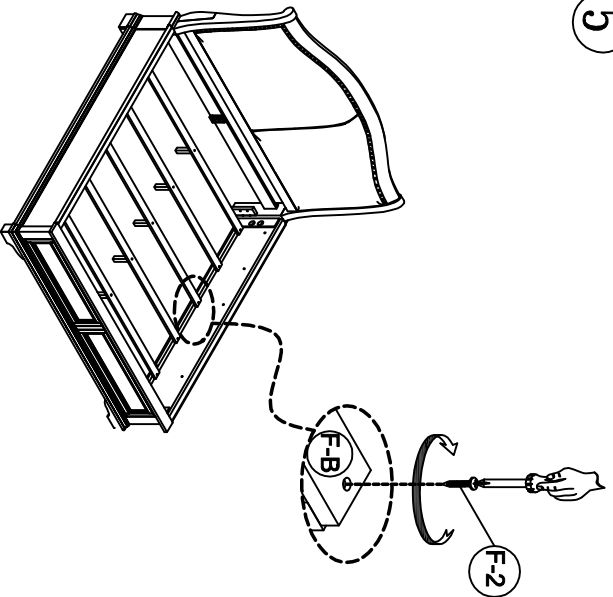
3



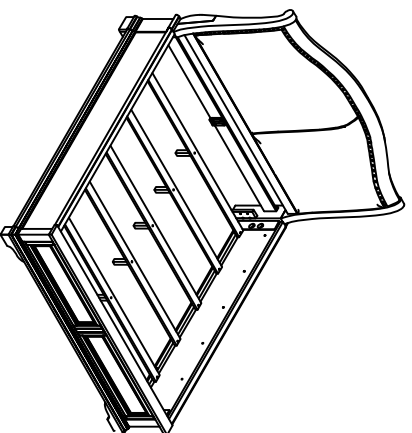
4



5



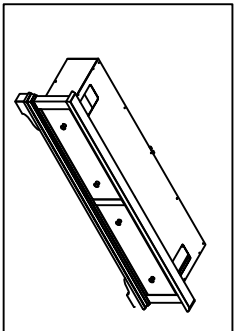
6



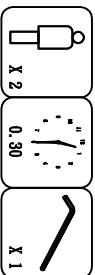


LIVING SPACES

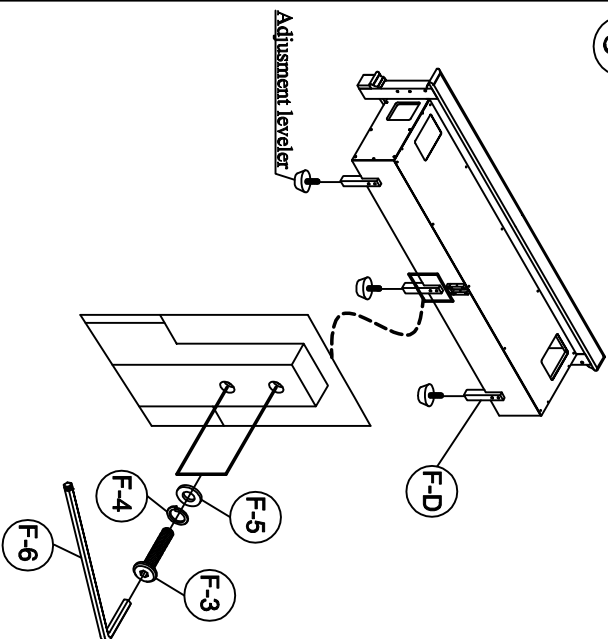
F-A	5901		X 15
F-B	5906		X 1
F-C	5905		X 2
F-D	5912		X 3
F-1	7002 Parts F-2 - F-7		X 1
F-2	Ø1/4" x 56mm Allen Head Bolt		X 2
F-3	Ø1/4" x 39mm Allen Head Bolt		X 8
F-4	Ø1/4" x Ø10mm Spring Washer		X 10
F-5	Ø1/4" x Ø19mm Washer		X 10
F-6	M4 x 59mm Allen key		X 1
F-7	Ø8 x 30mm Wood Screw		X 32



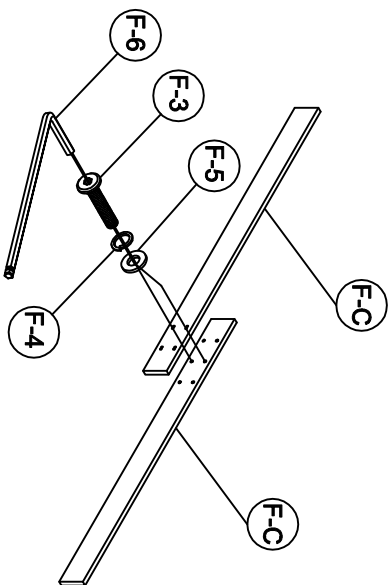
Chapman Bedroom
 Assembly Instructions
 4/6-5/0 Queen Bed
 67170 - 4/6-5/0 Uph Sleigh Head
 67173 - 5/0 Storage Footboard & Slats
 67172 - 5/0-6/6 Bed Rails



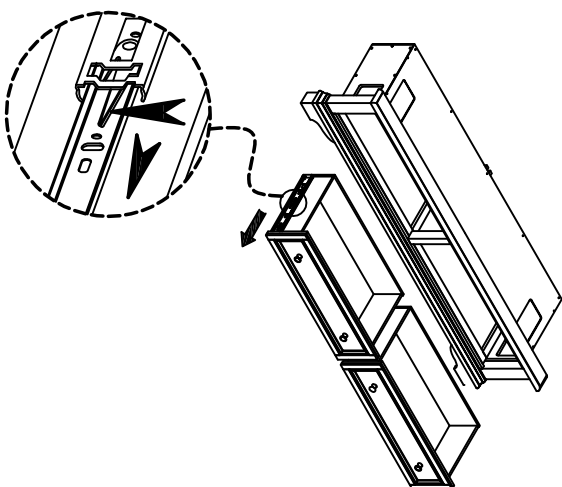
3



5



4



6

