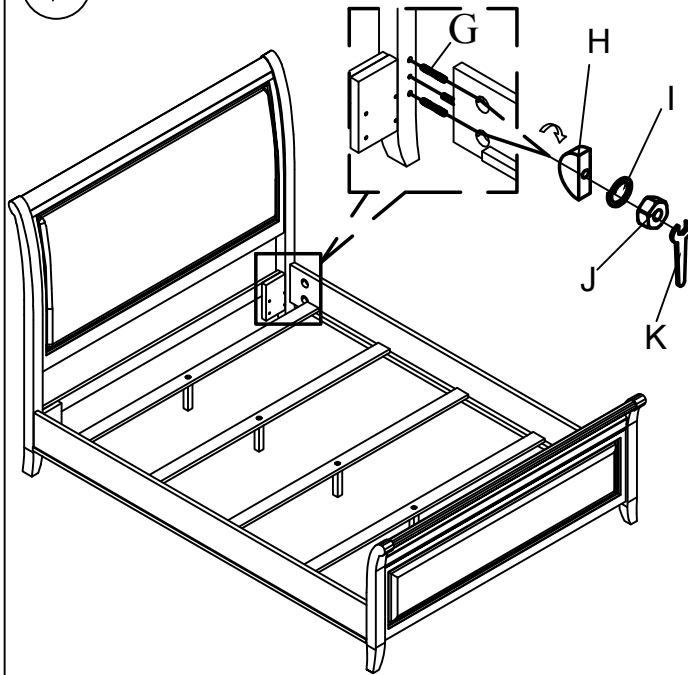




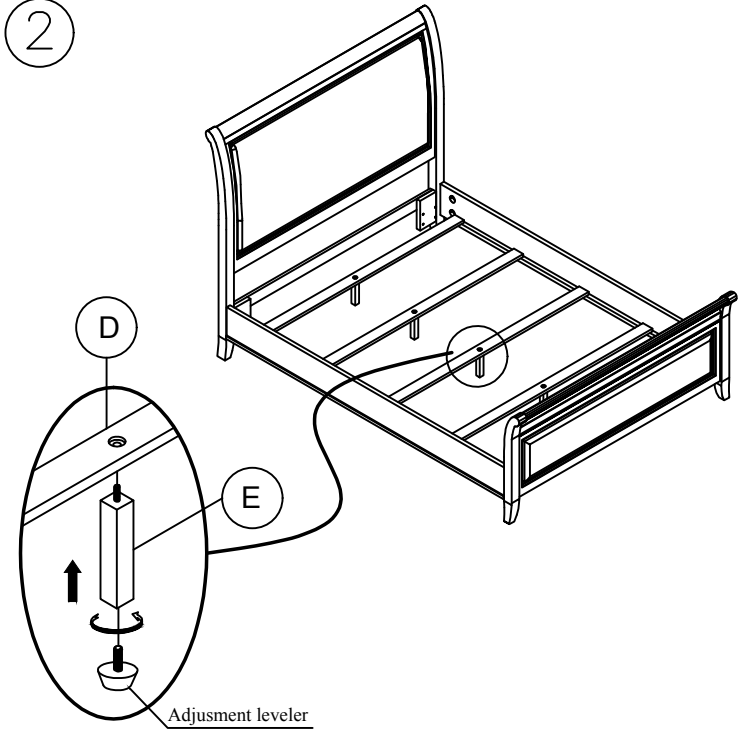
LIVING SPACES

A	Headboard		X 1
B	Footboard		X 1
C	Rails		X 2
D	5904		X 4
E	5906		X 4
F	7002 Parts G - L		X 1
G	Bolt Ø5/16"* 4-1/2"L		X 8
H	Curved Washer Ø5/16"		X 8
I	Lock Washer Ø5/16"		X 8
J	Nut Ø5/16" Dia*12		X 8
K	Open Wrench 12mm		X 1
L	Wood Screw Ø4*1"		X 8

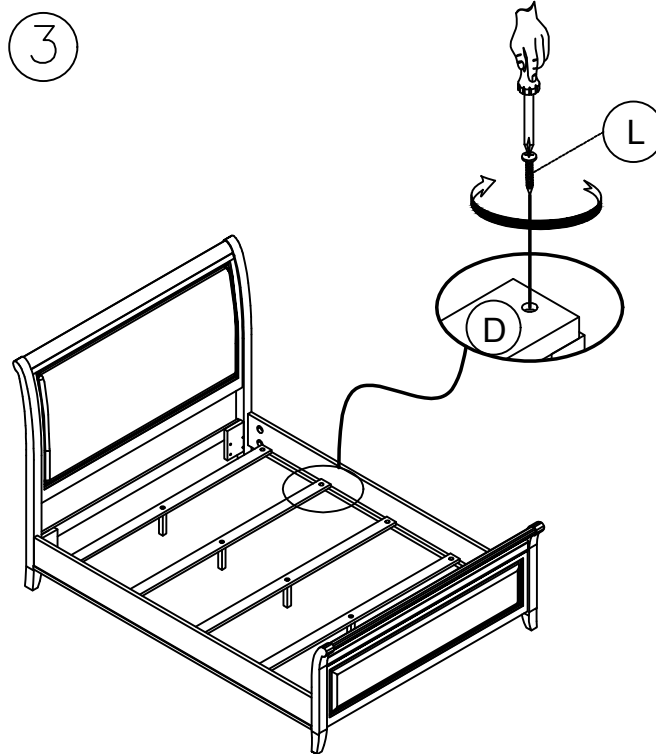
1



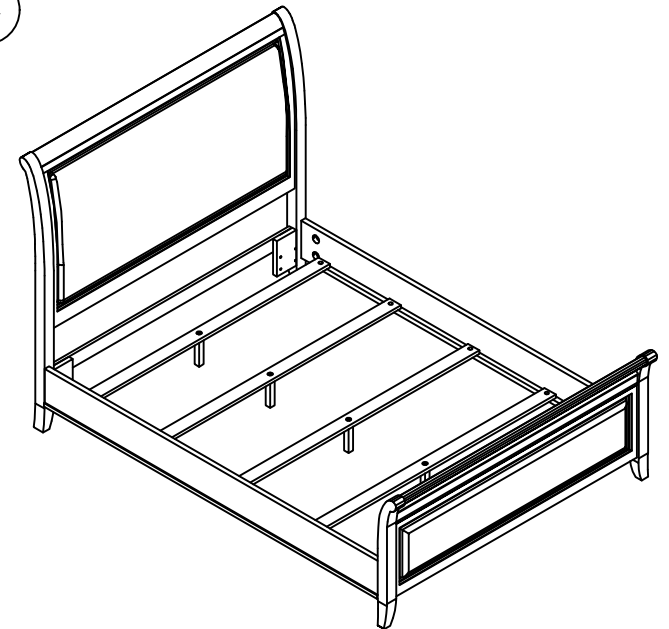
2



3

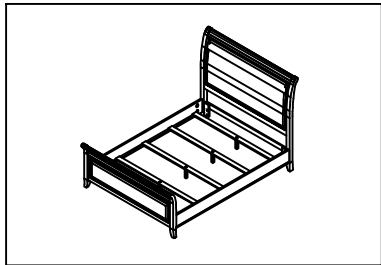


4





LIVING SPACES



13070/13071/13072
Candice II - 5/0 Sleigh Bed HB
5/0 Sleigh Bed FB
5/0-6/6 Sleigh Bed Rails

