

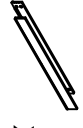
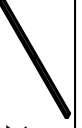
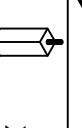

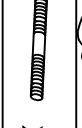

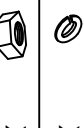

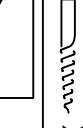

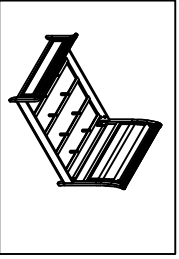
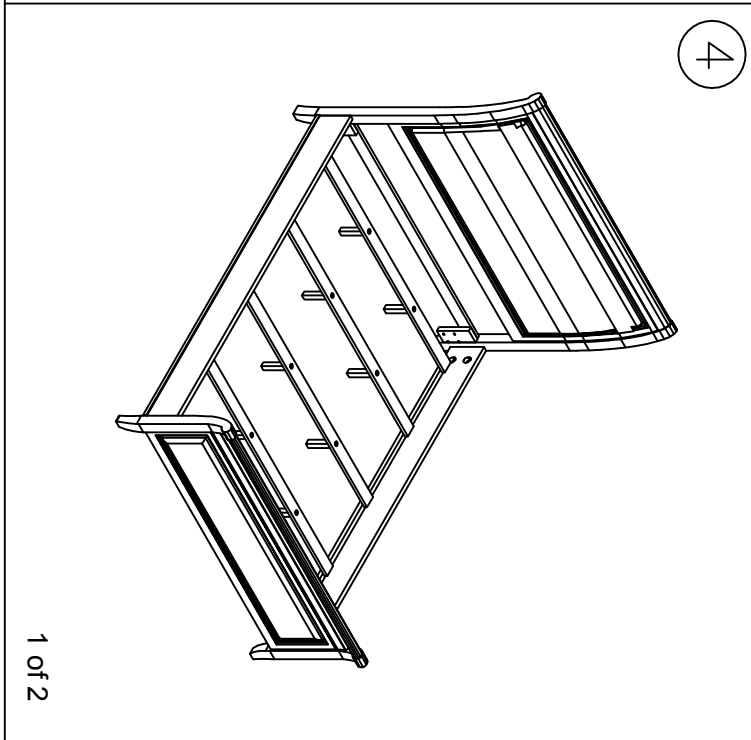
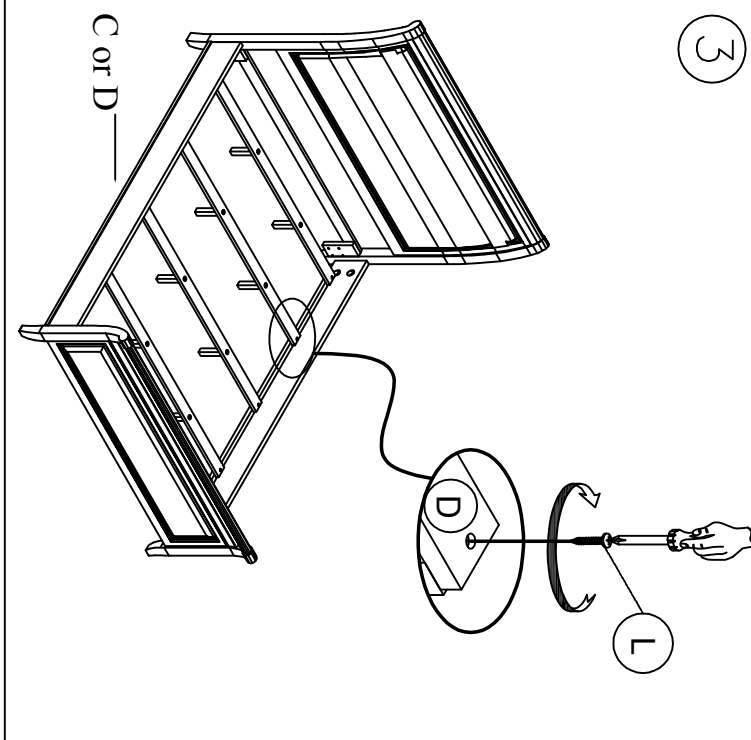
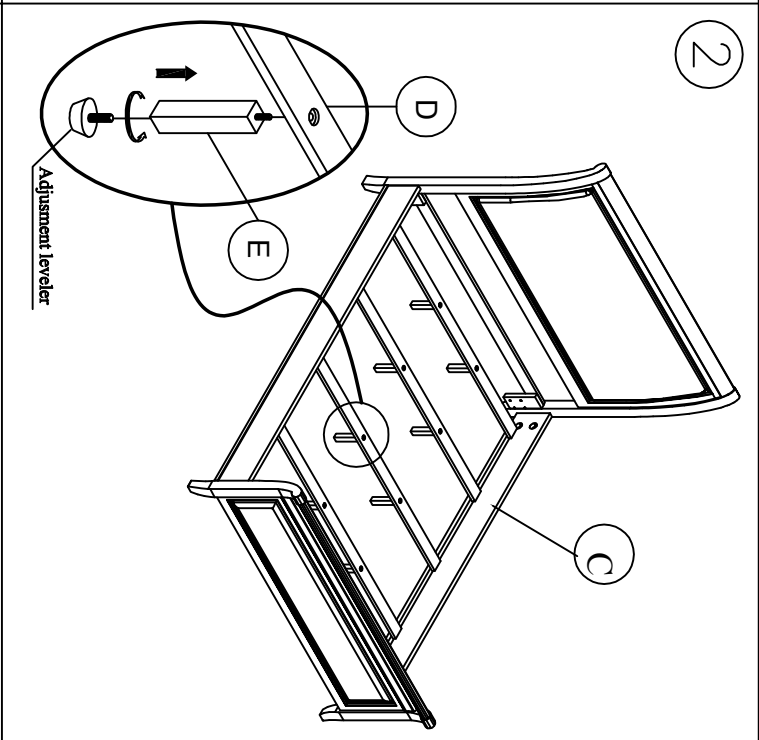
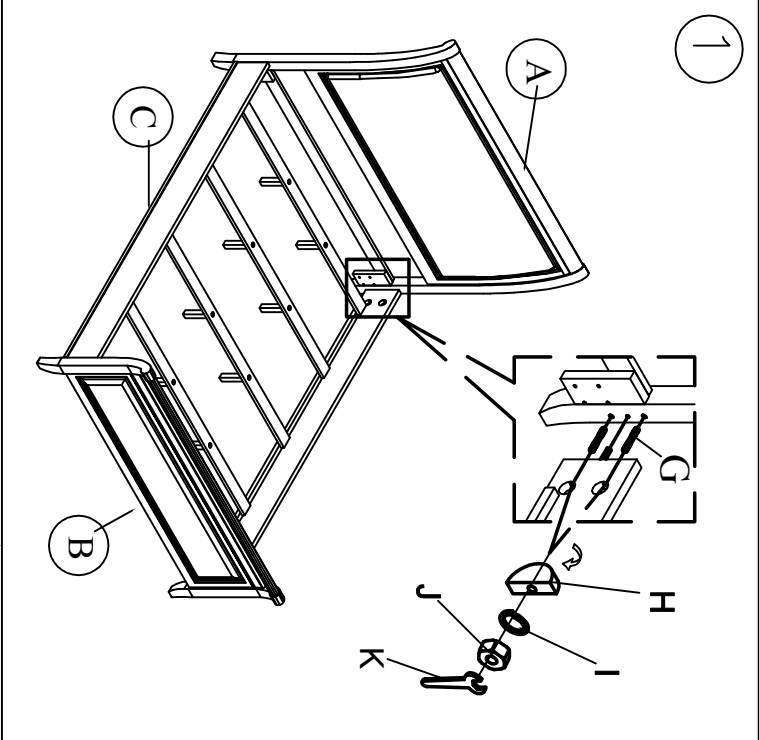


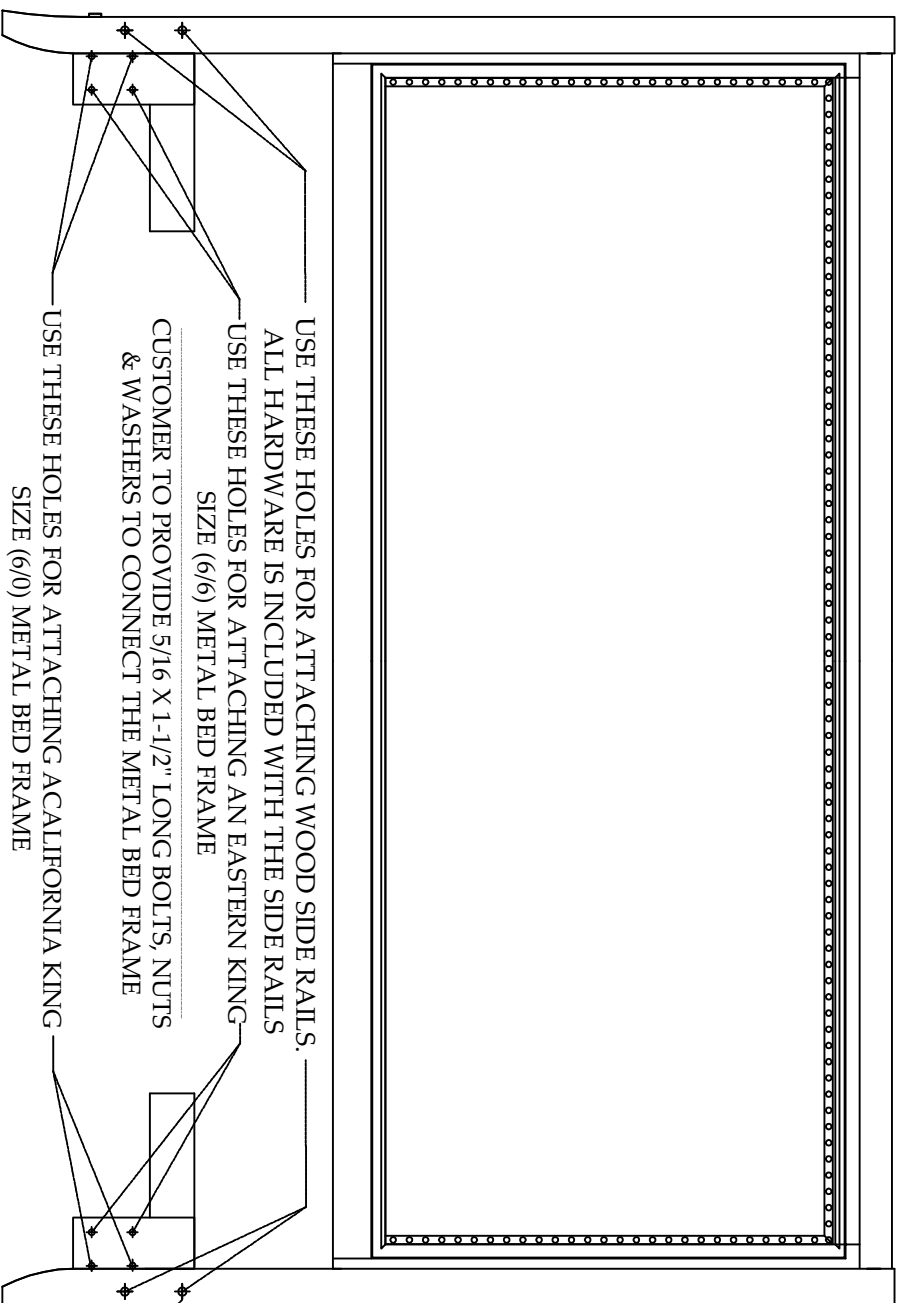
LIVING SPACES

A	Headboard		X 1
B	Footboard		X 1
C	5/0-6/6 Sleigh Rails		X 2
D	5904		X 4
E	5906		X 8
F	7002 Parts G - L		X 1
G	Bolt Ø5/16"* 4-1/2"L		X 8
H	Curved Washer Ø5/16"		X 8
I	Lock Washer Ø5/16"		X 8
J	Nut Ø5/16" Dia*12		X 8
K	Open Wrench 12mm		X 1
L	Wood Screw 8#*1"		X 8



13080/13081/13072
Candice II - 6/6 Sleigh Bed HB
6/6 Sleigh Bed FB
5/0-6/6 Sleigh Bed Rails





USE THESE HOLES FOR ATTACHING WOOD SIDE RAILS. ALL HARDWARE IS INCLUDED WITH THE SIDE RAILS

USE THESE HOLES FOR ATTACHING AN EASTERN KING CUSTOMER TO PROVIDE 5/16 X 1-1/2" LONG BOLTS, NUTS & WASHERS TO CONNECT THE METAL BED FRAME SIZE (6/6) METAL BED FRAME

USE THESE HOLES FOR ATTACHING A CALIFORNIA KING CUSTOMER TO PROVIDE 5/16 X 1-1/2" LONG BOLTS, NUTS & WASHERS TO CONNECT THE METAL BED FRAME SIZE (6/0) METAL BED FRAME

