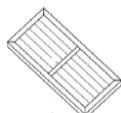


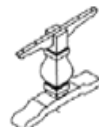



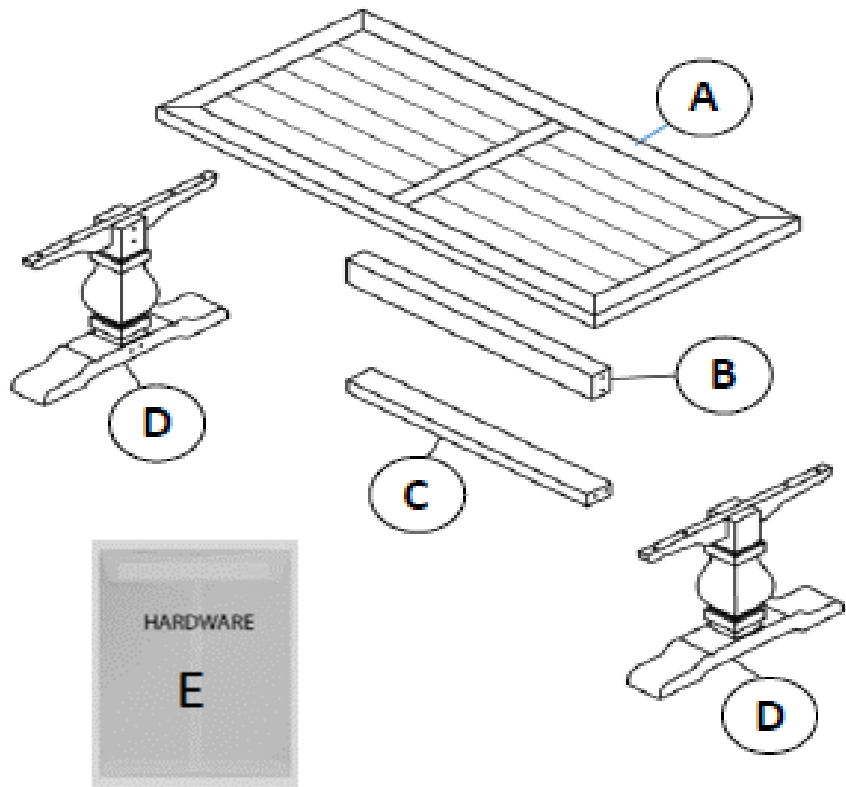
# Assembly Instructions

CADEN RECTANGLE DINING TABLE

51030489

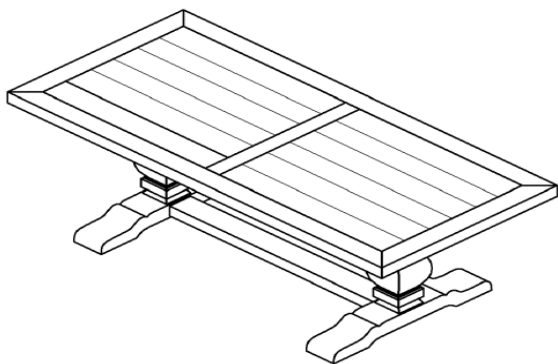
## Parts and Tools

<b>A</b>	51030489-A		X 1
<b>B</b>	51030489-B		X 1
<b>C</b>	51030489-C		X 1
<b>D</b>	51030489-D		X 2
<b>E</b>	51030489-E E F G H		X 12 X 4 X 16 X 1



CADEN RECTANGLE DINING TABLE

51030489



### Before Starting:

1. Choose a clean, level, spacious assembly area. Avoid hard surfaces that may damage the product.
2. Always read the instructions carefully before beginning assembly to ensure that you have all required contents.
3. To prevent choking hazards, keep the packaging material out of reach of small children
4. Do not over tighten the bolts as this may damage the thread.
5. Use only vendor supplied hardware to assemble. Using unauthorized hardware could jeopardize the structural integrity of the item.
6. The use of power tools to aid in assembly is not recommended. Power tools can damage hardware and split wood.



ASSEMBLY REQUIRES  
TWO PEOPLE



45 MINUTE  
ASSEMBLY TIME



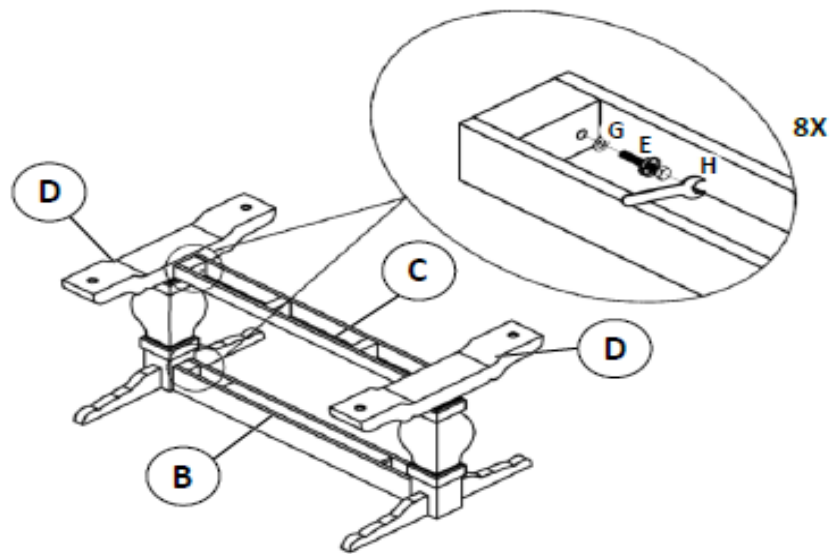
KEEP INSTRUCTIONS  
FOR FUTURE USE

# Assembly Instructions

CADEN RECTANGLE DINING TABLE

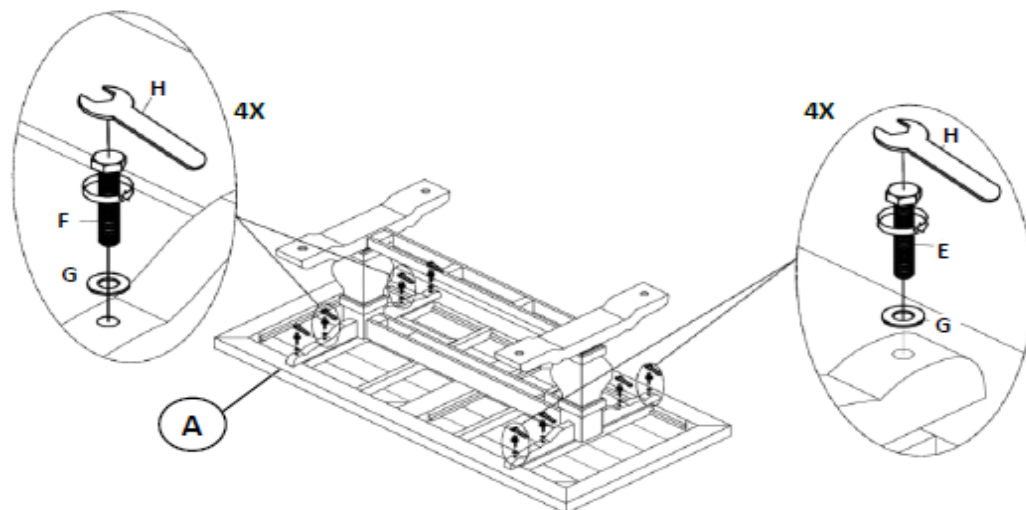
51030489

1



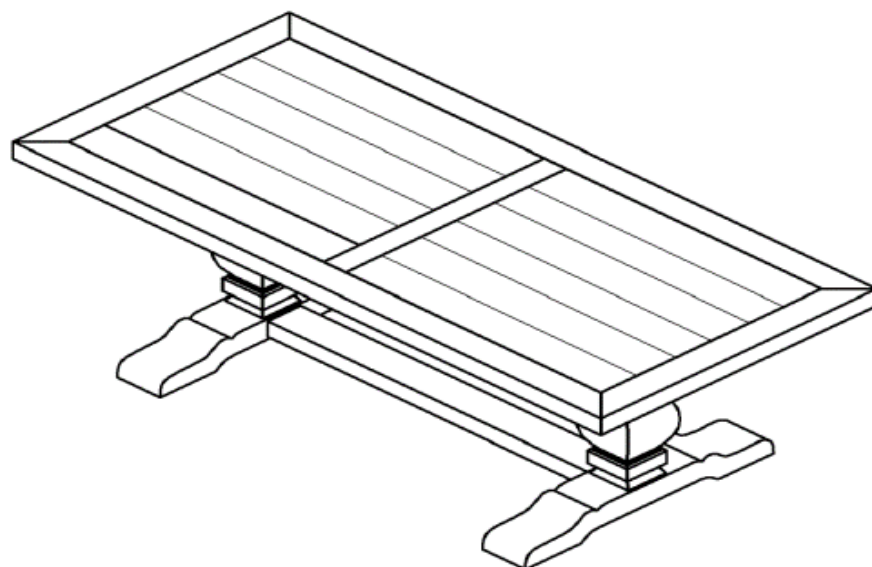
Attach the Top Support (B) and the Stretcher (C) to the Pedestal Legs (D) by using Open Wrench (H) to tighten Bolts and Washers (G)

2



Assemble the whole leg into the Table Top (A) by using Open Wrench (H) to tighten Bolts (E), Bolts (F) and Washers (G)

3



Completed item