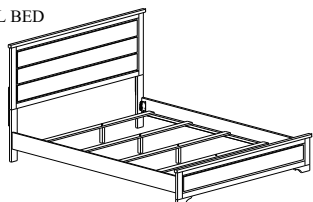


ASSEMBLY INSTRUCTIONS

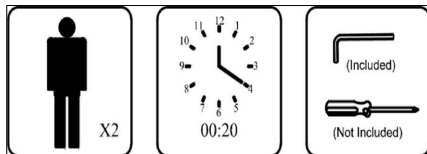


A	HEADBOARD PANEL		X1
B	RIGHT HEADBOARD LEG		X1
C	LEFT HEADBOARD LEG		X1
D	FOOTBOARD PANEL		X1
E	SLAT		X4
F	SLAT SUPPORT		X4
G	RIGHT SIDE RAIL		X1
H	LEFT SIDE RAIL		X1
I	JCBC BOLT WITH SPRING WASHER AND FLAT WASHER		X6 M6 x 40mm
J	ALLEN KEY		X1 M4
K	SCREW P/H RATTAN		X8 8 X 1 1/4"
L	JCBC BOLT WITH SPRING WASHER AND FLAT WASHER		X8 M8 x 25mm
M	ALLEN KEY		X1 M5

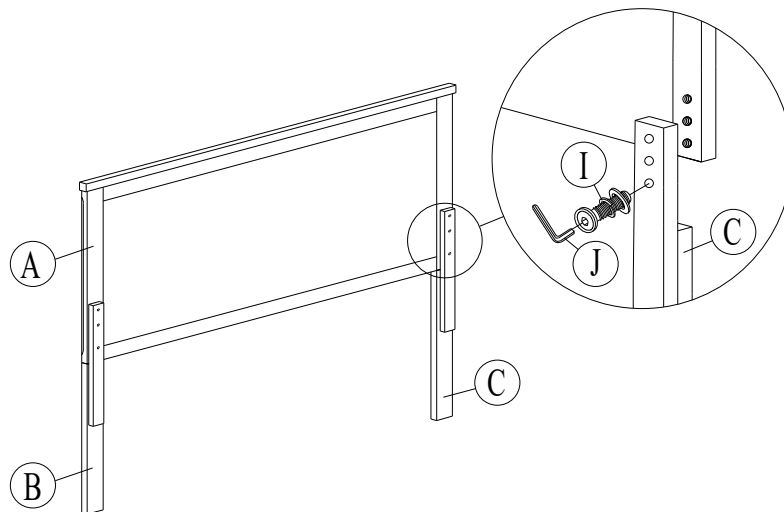
FULL BED



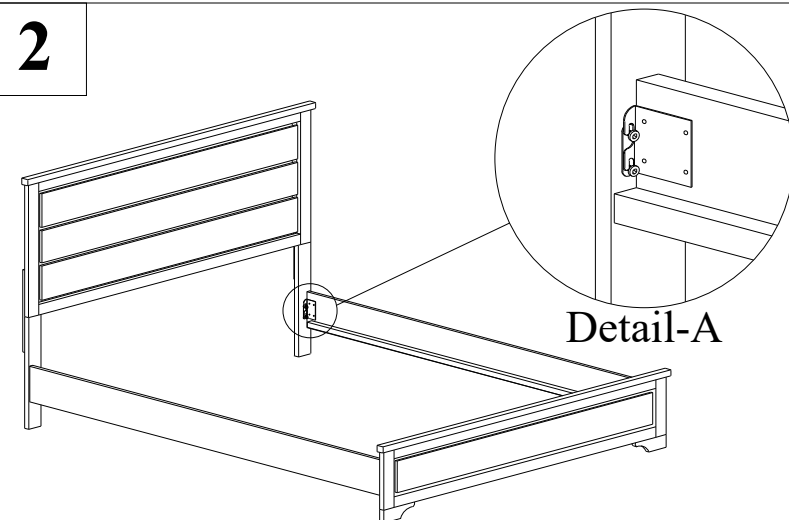
B3050-F-HBFB / B3050-FT-RAIL - FULL BED



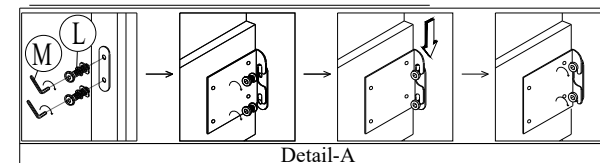
1



2



COMPLETED ASSEMBLY



3

STEP 3.2:

