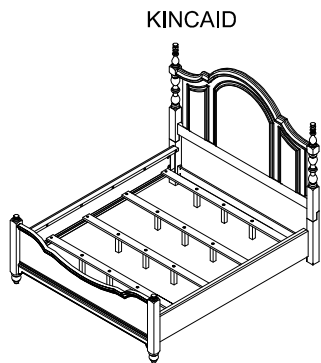
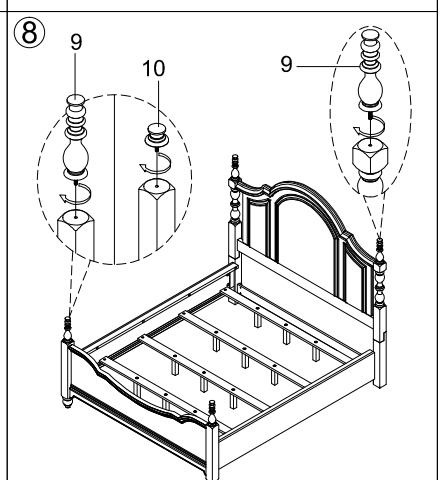
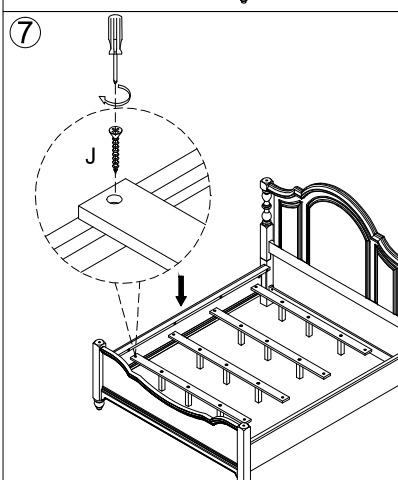
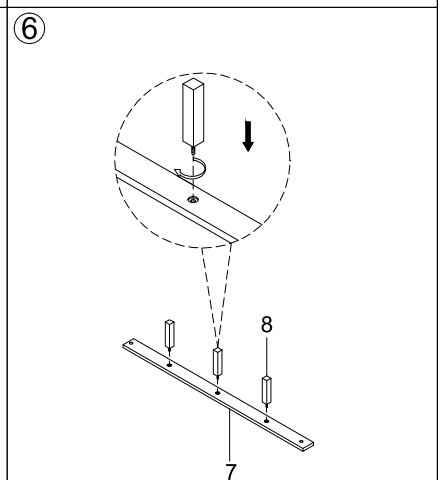
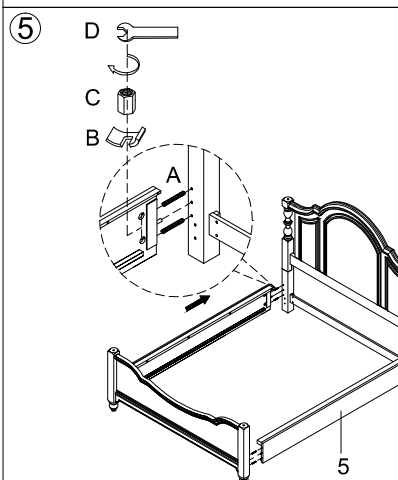
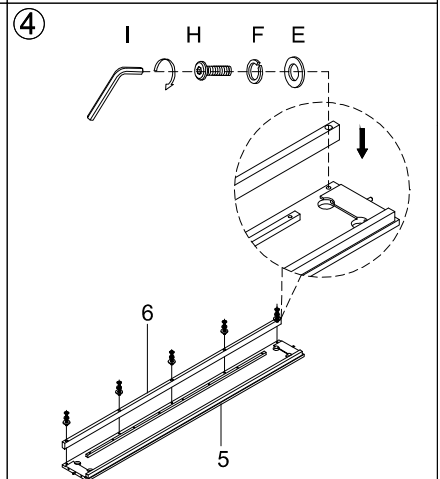
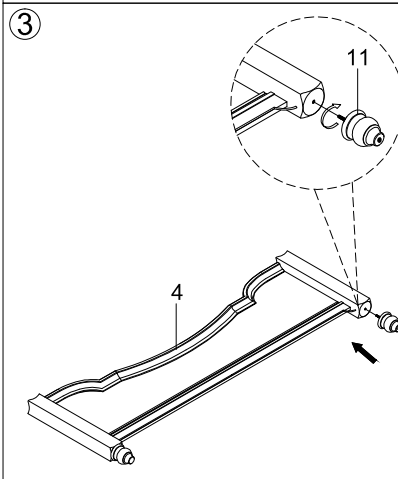
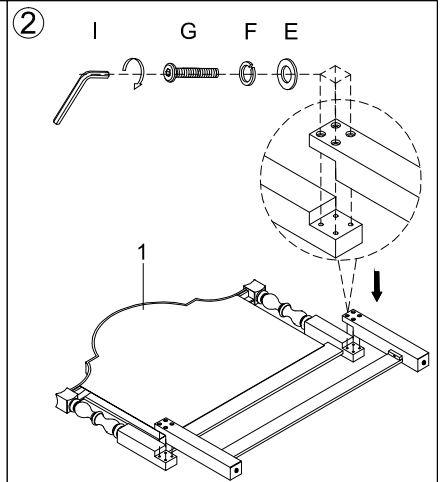
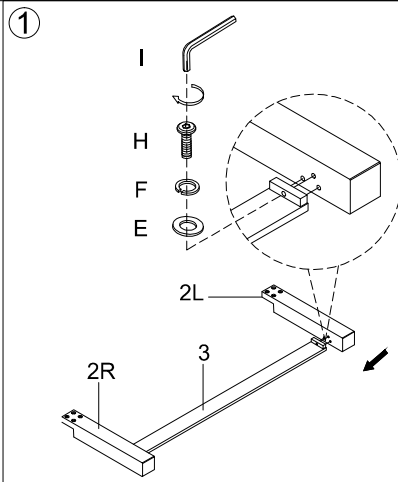




|    |                |                        |
|----|----------------|------------------------|
| A  | PB3341-76HD2-A | x8<br>Ø5/16"x4-1/2"L   |
| B  | PB3341-76HD2-B | x8<br>Ø5/16"x34x16x3mm |
| C  | PB3341-76HD2-C | x8<br>Ø5/16"x17mm      |
| D  | PB3341-76HD2-D | x1<br>Wrench 12mm      |
| E  | PB3341-66HD1-E | x20<br>Ø5/16"x18x1.5mm |
| F  | PB3341-66HD1-F | x20<br>Ø5/16"x13x1mm   |
| G  | PB3341-66HD1-G | x8<br>Ø5/16"x2"L       |
| H  | PB3341-66HD1-H | x12<br>Ø5/16"x1-3/8"L  |
| I  | PB3341-66HD1-I | x1<br>Allen key 4mm    |
| J  | PB3341-66HD3-J | x8<br>#4x25mm          |
| 1  | PB3341-66HB    | x1                     |
| 2L | PB3341-66HL1   | x1                     |
| 2R | PB3341-66HL2   | x1                     |
| 3  | PB3341-66SR    | x1                     |
| 4  | PB3341-66FB    | x1                     |
| 5  | PB3341-76R     | x2                     |
| 6  | PB3341-76CL    | x2                     |
| 7  | PB3341-66SL    | x4<br>1952x70x18mm     |
| 8  | PB3341-66SS    | x12<br>193x28x28mm     |
| 9  | PB3341-00FN    | x4                     |
| 10 | PB3341-00FN1   | x2                     |
| 11 | PB3341-00FT    | x2                     |



KINCAID

85186/B3341-66H King Poster Bed Headboard  
85187/B3341-66F King Poster Bed Footboard  
85188/B3341-76R Cal. King Poster Bed Rails

