



LIVING SPACES

ASSEMBLY INSTRUCTION

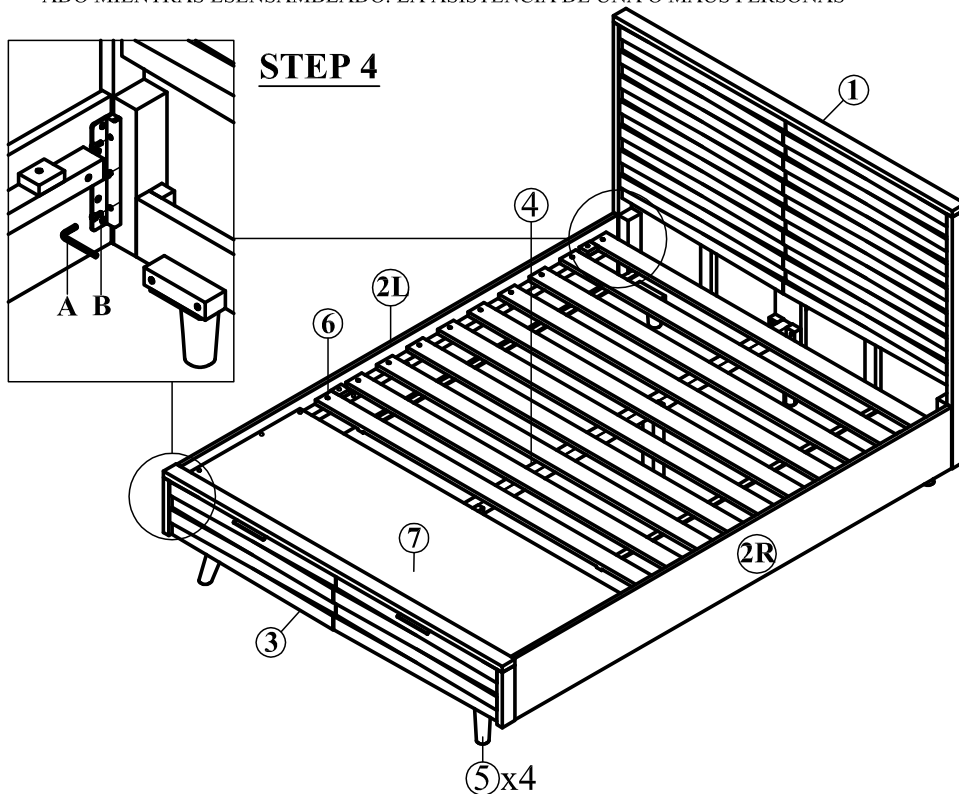
CALEB BED-2DRW

LS SKU # 242984 / 242990 / 242984

CAUTION: PLEASE READ ALL INTRUCTIONS BEFORE STARTING THE ASSEMBLY OF THIS PRODUCT. THESE PIECES ARE HEAVY. IN ORDER PREVENT PERSONAL INJURY AND ENSURE THAT THIS PRODUCT IS NOT DAMAGED DURING THE ATTENTION: ASSEMBLY PROCESS, IT IS STRONGLY RECOMMENDED THAT YOU ENLIST THE ASSISTANCE OF ONE OR MORE PEOPLE.

ATTENTION: VEUILLEZ LIRE TOUTES LES INSTRUCTIONS AVANT DE COMMENCER L'ASSEMBLAGE DE CE PRODUIT. LES PENDANT L'ASSEMBLAGE, POUR EUVITER BLESSURE ET POUR QUE LE PAS ENDOMMAGE CUIDADO OR DE LEER VOUS RECOMMANDONS DE FAIRE APPEL UN AUTRES PERSONNES.

CUIDADO: AVOR DE LEER TODAS LAS INSTRUCCIONES ANTES DE ENSAMBLAR SU PRODUCTO. ESTAS PIEZAS PESADAS. PARA PREVENIR HERIDAS PERSONALES YASEGURAR QUE SU PRODUCTO NO SEA DANADO MIENTRAS EENSAMBLADO. LA ASISTENCIA DE UNA O MAUS PERSONAS



Page 01 of 04

LIST OF PARTS AND HARDWARE

No.	Description	Q'ty
A	Allen Key 5mm	1
B	Bolt Ø6 x 10mm	12
C	Allen Key 4mm	1
D	Bolt 6 x 20mm	20
E	Washer Ø8xØ18 mm	28
F	Bolt 6 x 40mm	8
G	Handle 140mm	2
H	Screw Ø4 x 12mm	4
M	Screw Ø4 x 30mm	26

LIST OF PARTS AND HARDWARE

No.	Description	Q'ty
1	Headboard Panel	1
2	Side Rail	2
3	Footboard Panel	1
4	Middle Rail	1
5	Legs	4
6	Slat	10
7	Slat MDF	1
8	Middle support	1
9	Middle support	2
10	Middle support	1
11	Middle support	2

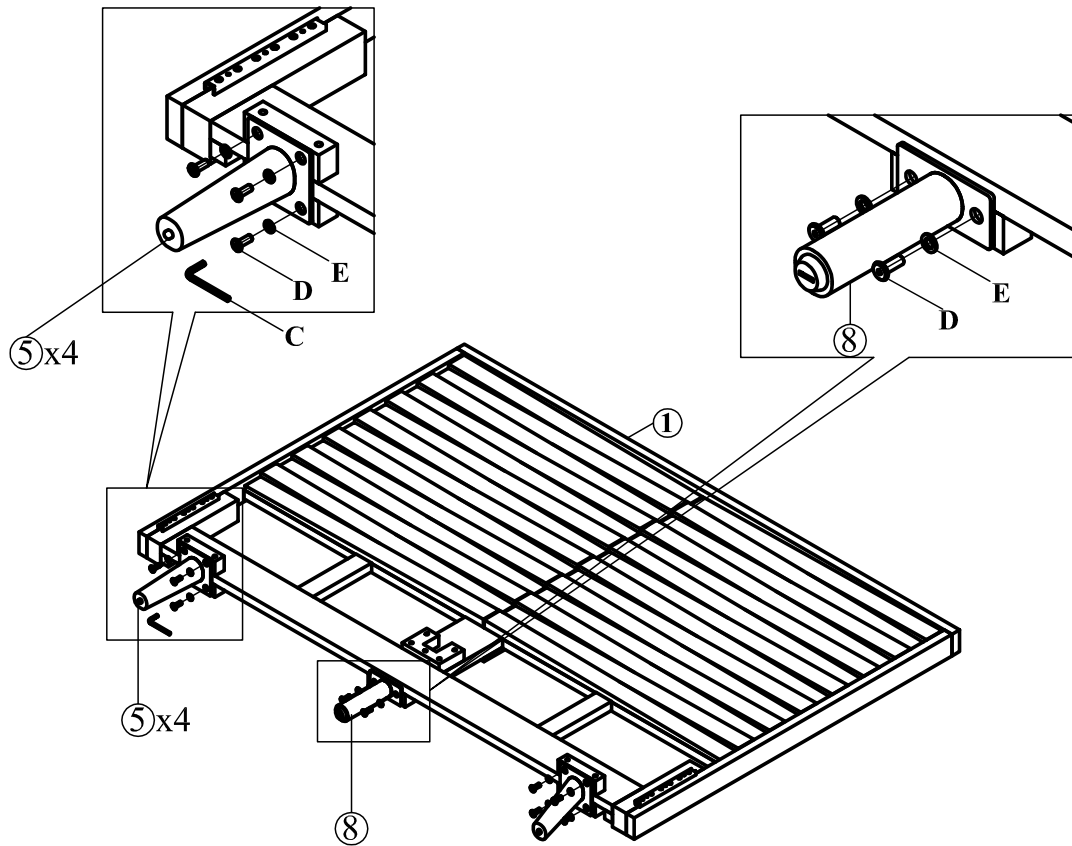


LIVING SPACES

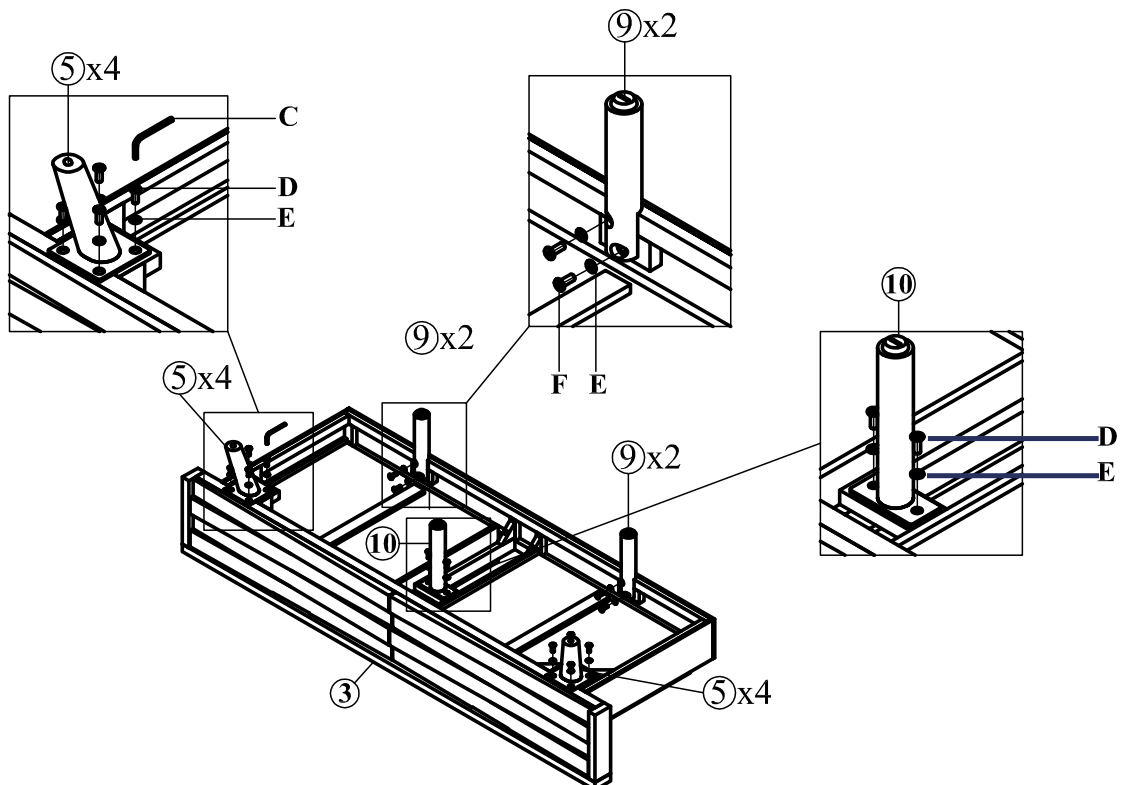
ASSEMBLY INSTRUCTION

CALEB BED-2DRW

STEP 1



STEP 2



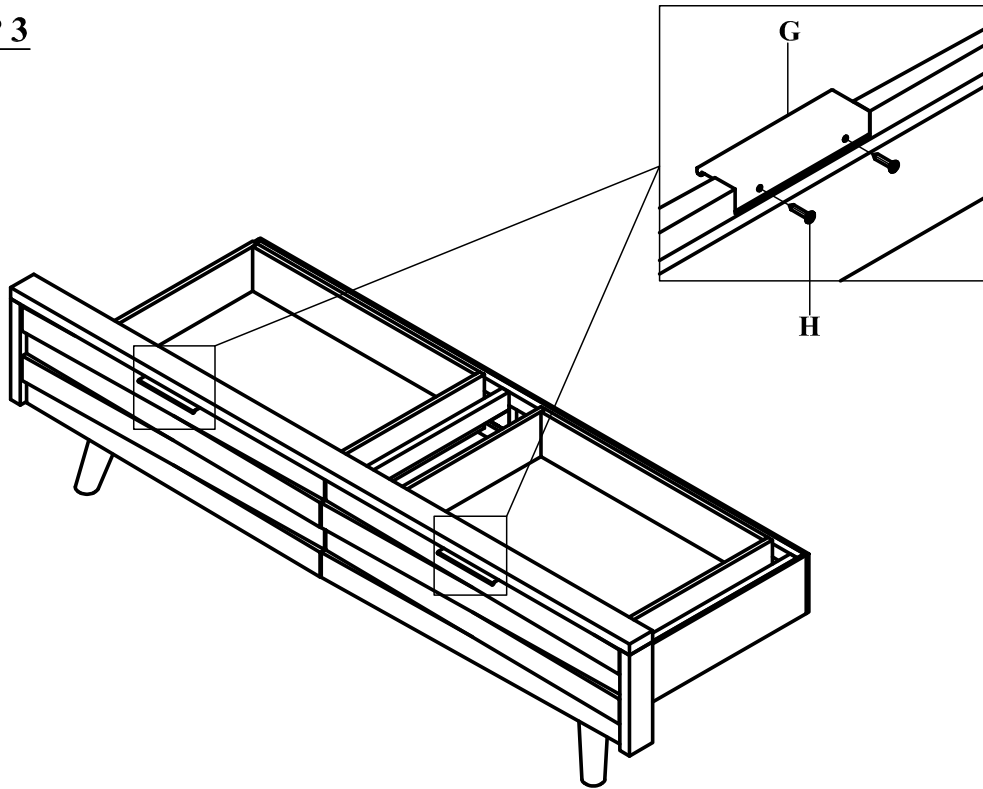


LIVING SPACES

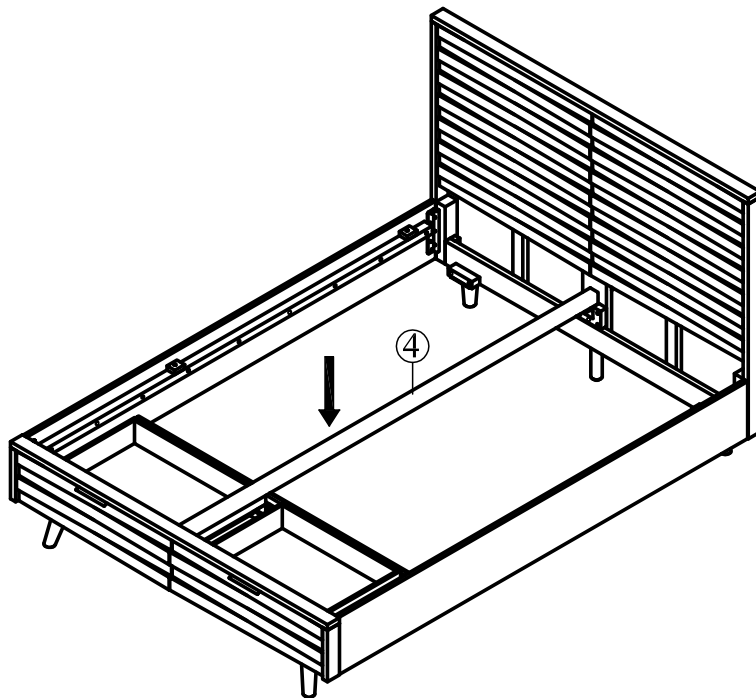
ASSEMBLY INSTRUCTION

CALEB BED-2DRW

STEP 3



STEP 5



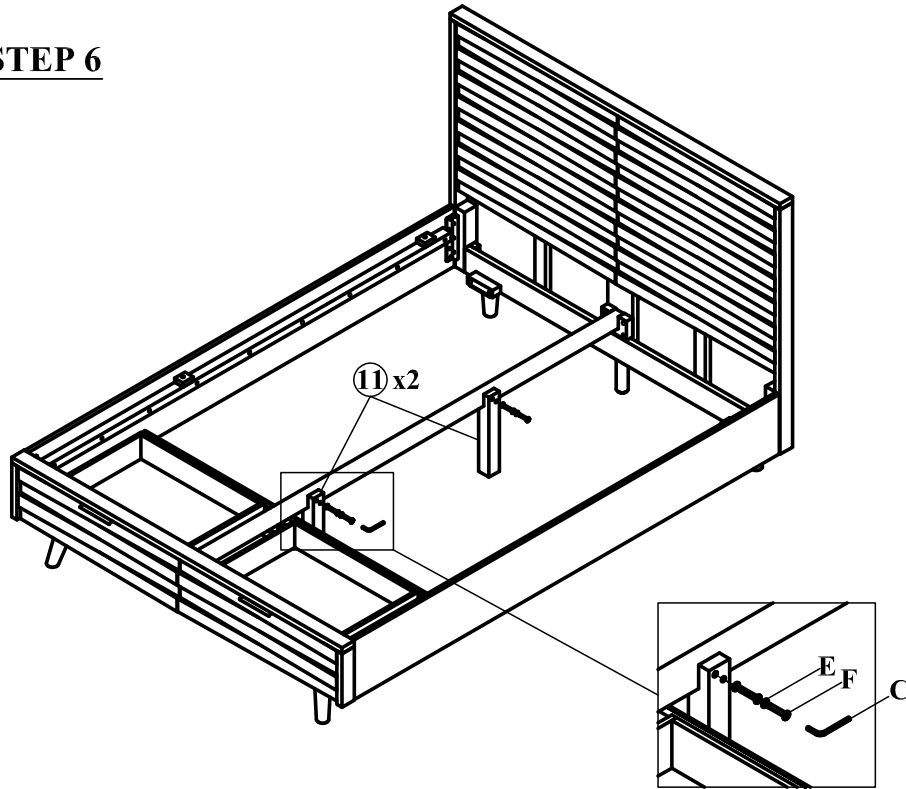


LIVING SPACES

ASSEMBLY INSTRUCTION

CALEB BED-2DRW

STEP 6



STEP 7

