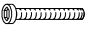



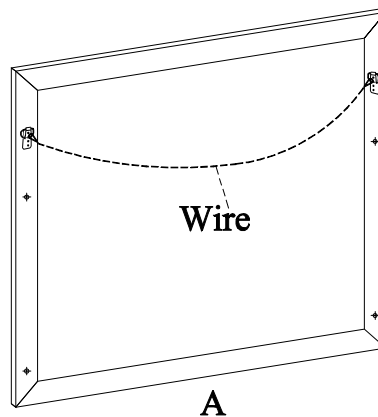
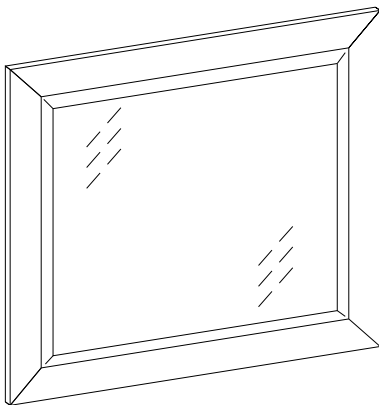


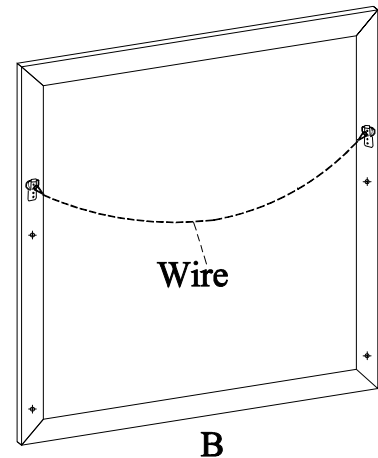
# ASSEMBLY INSTRUCTIONS

ITEM NO: I56-463 Landscape Mirror

HARDWARE LIST		COMPONENTS LIST	
A. 	Allen Bolts (Ø1/4"*1-5/8")	8Pcs	Wood Strip
B. 	Lock Washers (Ø5/16")	8Pcs	2 Pcs
C. 	Flat Washers (Ø5/16"*3/4")	8Pcs	
D. 	Allen Wrench (4mm)	1Pc	



Option 1



Option 1:

Place mirror against wall with wire above nail, and lower the mirror slowly. Make sure the wire catches on the nail. The mirror has been fixed wire and hanger as default configuration with reference diagram A. If you prefer to hang the mirror against wall in the other direction, please take off the wire and hanger by using a screwdriver(not included). Then fix the wire and hanger in the other side of the mirror as shown in diagram B.

Note: Insure the nail is in a wall stud or wall solid enough to support mirror.

Option 2 & 3 :

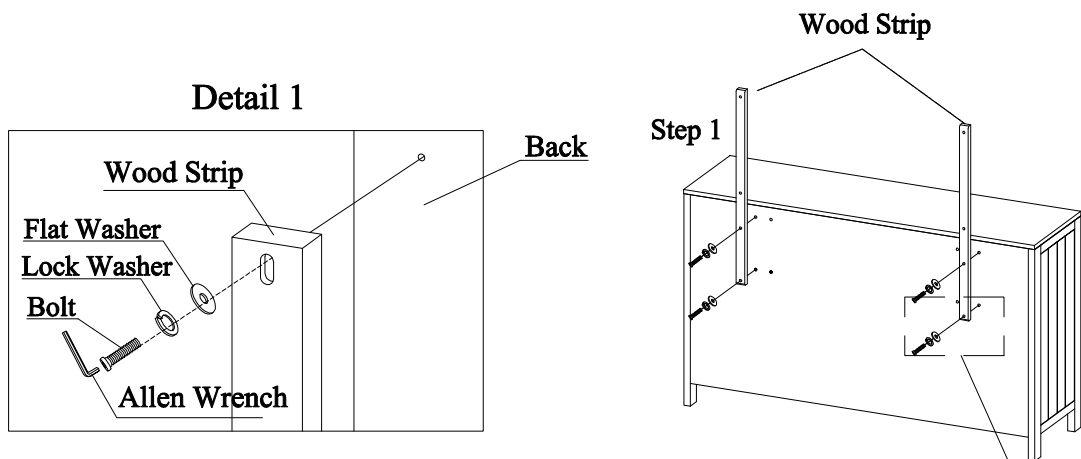
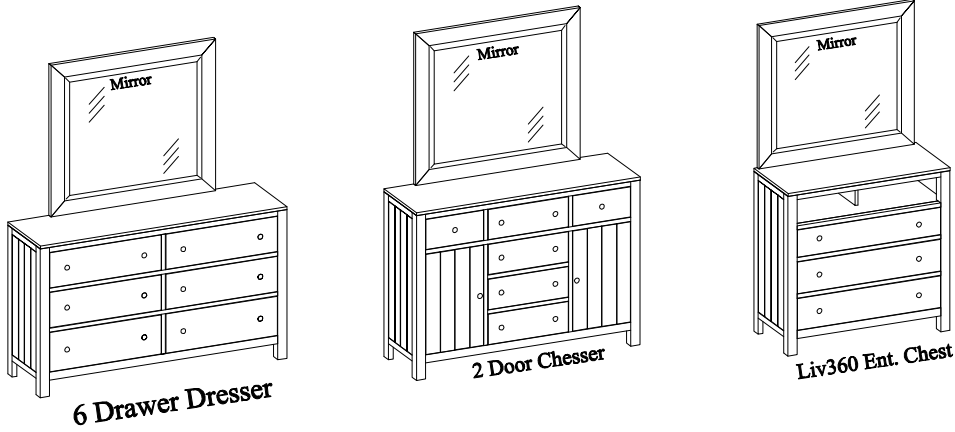
Step 1: Attach the wood strips to the 2 door chesser or 6 drawer dresser by using bolts(4 pcs), lock washers(4 pcs),and flat washers(4 pcs). Do not tighten the bolts completely.

Step 2: Attach the wood strips to the mirror by using bolts(4 pcs), lock washers(4 pcs), and flat washers(4 pcs). Tighten all the bolts using Allen wrench.

# ASSEMBLY INSTRUCTIONS

ITEM NO: I56-463 Landscape Mirror

## Option 2



## Option 3

