

Assembly Instructions

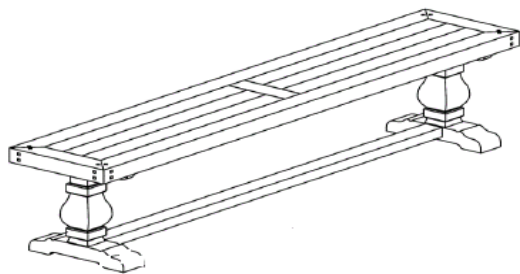
BRENTWOOD BENCH
53004143

Parts and Tools

A	53004143-A		X 1	
B	53004143-B		X 1	
C	53004143-C		X 1	
D	53004143-D		X 2	
E	53004143-E (E,F,G,H,I,J,K,L)		X 3 X 4 X 7 X 4 X 4 X 8 X 1 X 1	

BRENTWOOD BENCH

53004143



Before Starting:

1. Choose a clean, level, spacious assembly area. Avoid hard surfaces that may damage the product.
2. Always read the instructions carefully before beginning assembly to ensure that you have all required contents.
3. To prevent choking hazards, keep the packaging material out of reach of small children.
4. Do not over tighten the bolts as this may damage the thread.
5. Use only vendor supplied hardware to assemble. Using unauthorized hardware could jeopardize the structural integrity of the item.
6. The use of power tools to aid in assembly is not recommended. Power tools can damage hardware and split wood.



ASSEMBLY REQUIRES
TWO PEOPLE



30 MINUTE
ASSEMBLY TIME

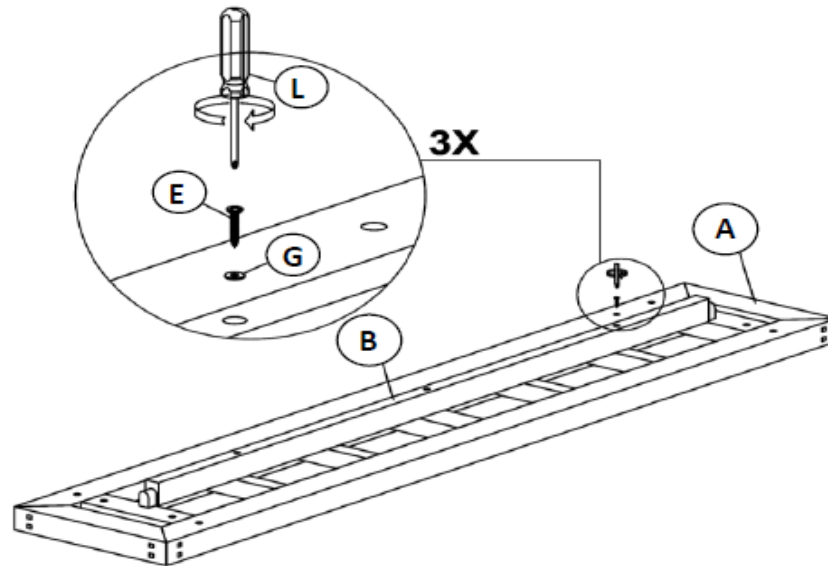


KEEP INSTRUCTIONS
FOR FUTURE USE

Assembly Instructions

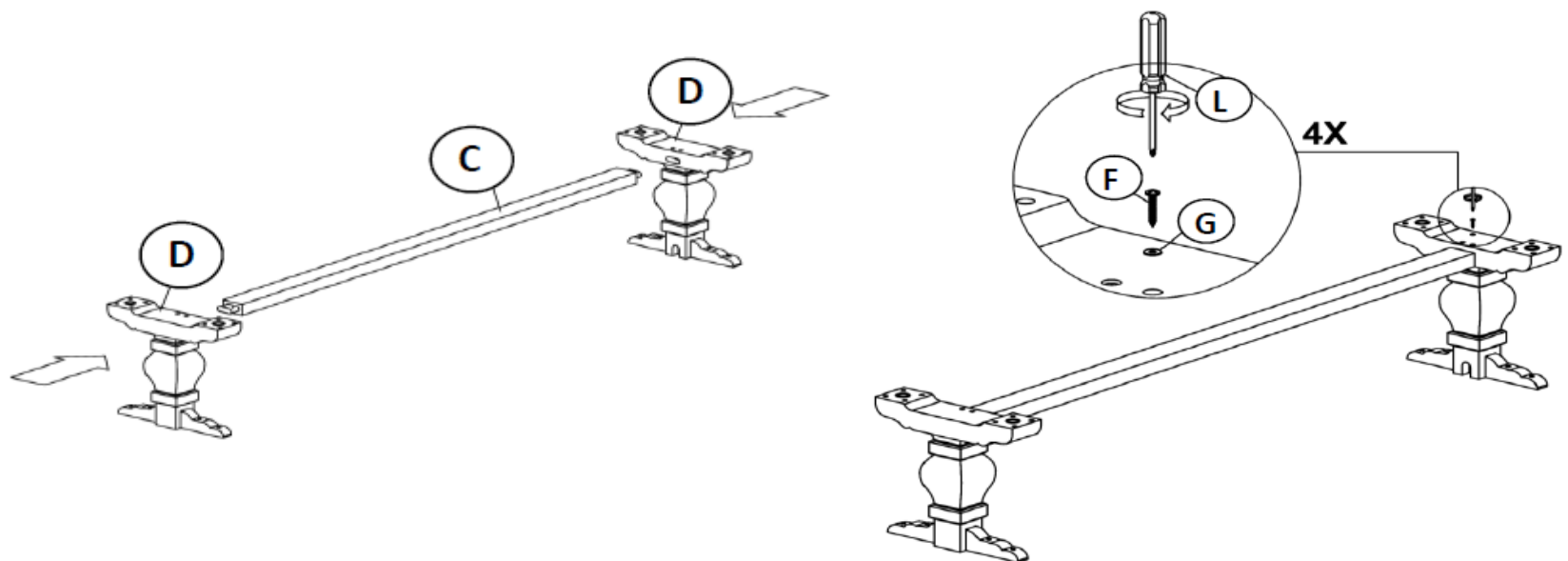
BRENTWOOD BENCH
53004143

1



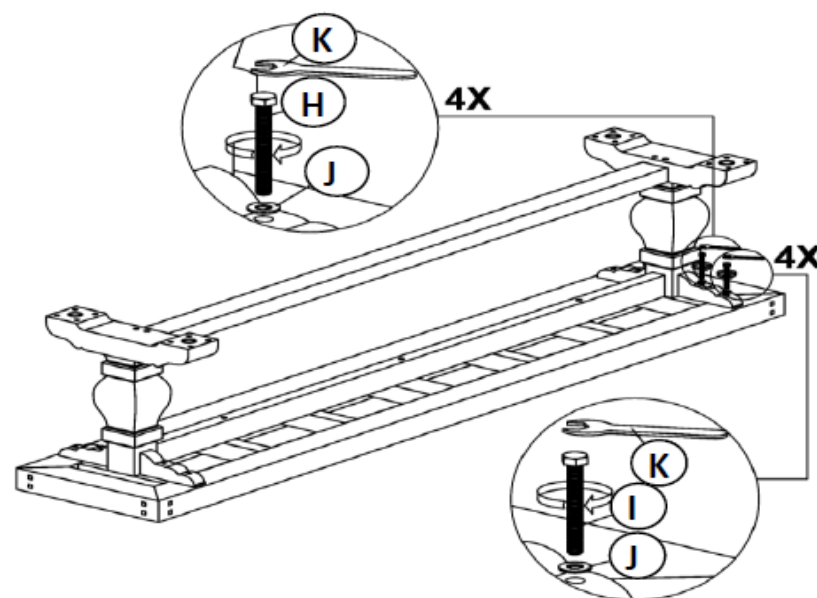
Attach the Top Support (B) to the Bench Top (A) by using the Screwdriver (L) to tighten Screws (E) and Washers (G)

2



Assemble the Stretcher (C) to the Pedestal Legs (D) by using Screwdriver (L) to tighten Screws (F) and Washers (G)

3

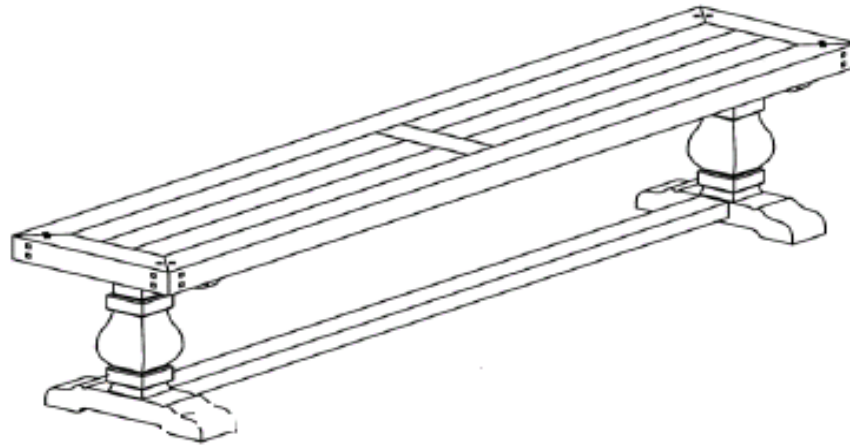


Attach the Legs (D) and the Stretcher (C) to the Bench Top (A) by using Open Wrench (K) to tighten Bolts (I,H) and Washers (J)

Assembly Instructions

BRENTWOOD BENCH
53004143

4



Completed item