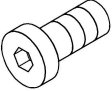
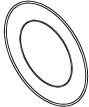
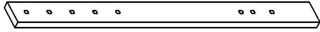
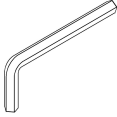
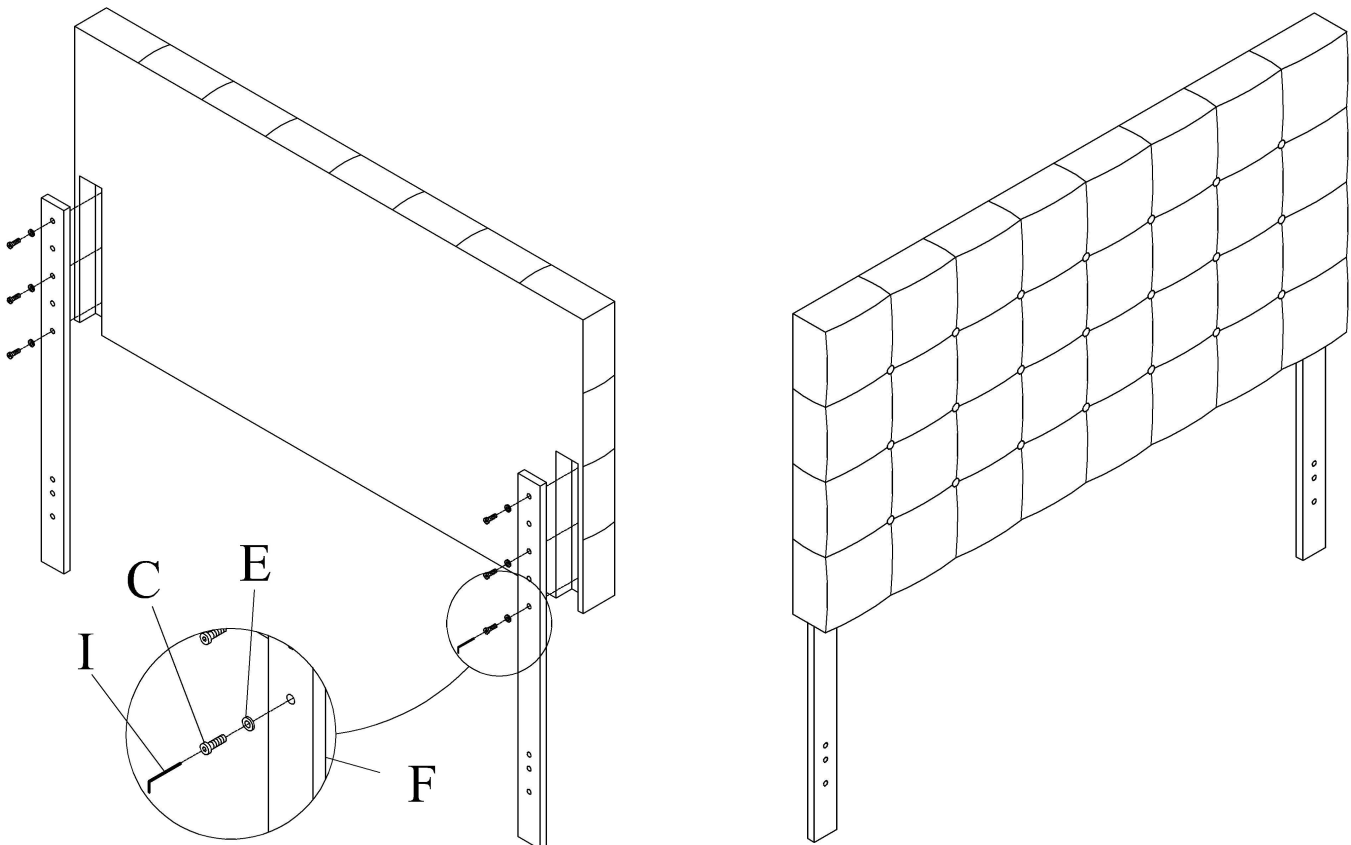


## Baxton Headboard Assembly Instructions

Hardware packed behind the headboard.

C	E	F	I
			
Φ8*45MM	Φ8 MM	H=99 CM	Φ8 MM
6PCS	6PCS	2PCS	1PC



### Step#1

Retrieve bed feet and hardware from behind the headboard.

### Step#2

Attach bed feet (F) to the headboard using Wrench (I), Bolt (C) and Washer (E).

**CONGRATULATIONS ON YOUR NEW BED PURCHASE**

~Warning: do not move bed after final assembly as it may result in damages to floor and/or bed.~