

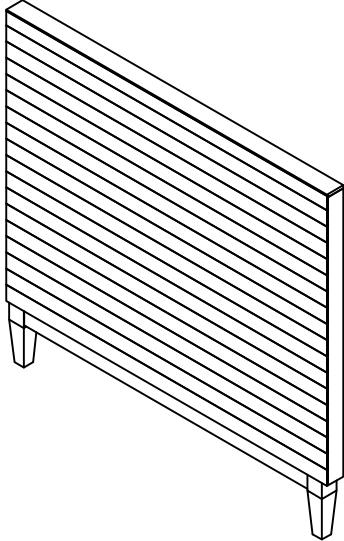
DAKOTA FULL/QUEEN/E.KING BED ASSEMBLY INSTRUCTIONS



PARTS PACKING CONFIGURATIONS

BOX #1:

A. HEADBOARD (1PC):



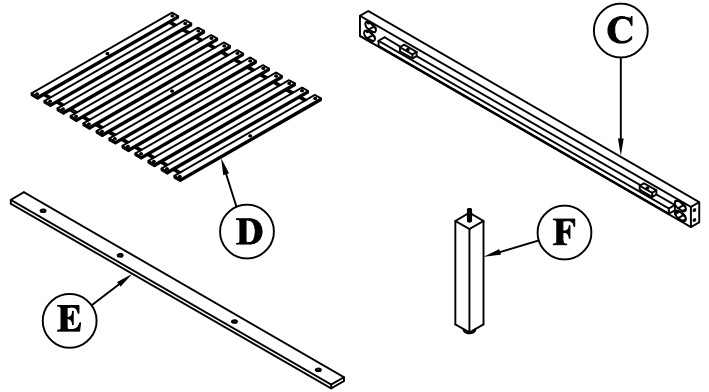
BOX #3:

C. SIDERAIL (2PCS):

D. SLAT ROLL (1SET):

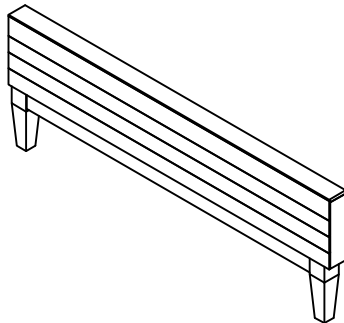
E. CENTER SLAT SUPPORT (1PC):

F. SUPPORT LEG (4PCS):

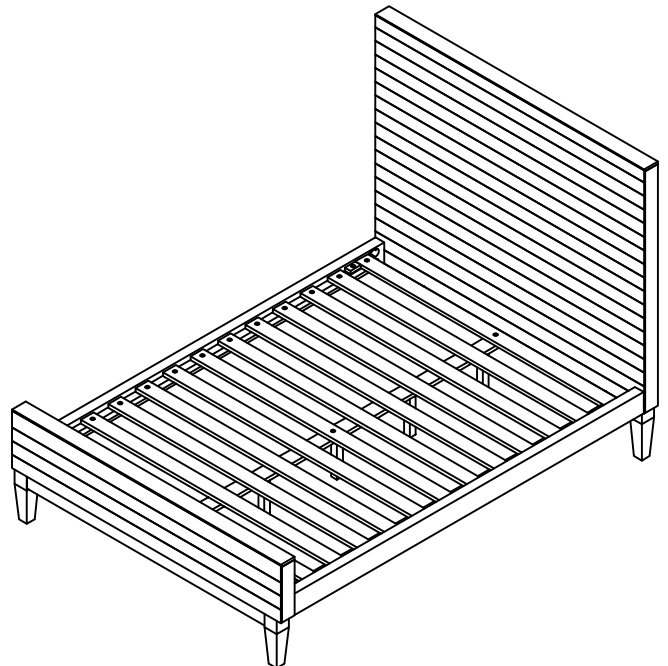


BOX #2:

B. FOOTBOARD (1PC):



DAKOTA FULL/QUEEN/E.KING BED ASSEMBLED



HARDWARE PACKED IN BOX #3

No	Description	Photo	Quantity
1	THREADED BOLT (M8X90)		8 PCS
2	SPRING WASHER (M8)		8 PCS
3	FLAT WASHER (M8)		8 PCS
4	HEX NUT (M8X7.8)		8 PCS
5	CURVE WASHER (M8)		8 PCS
6	SPANNER		1 PC
7	WOOD SCREW (M4X30)		27 PCS

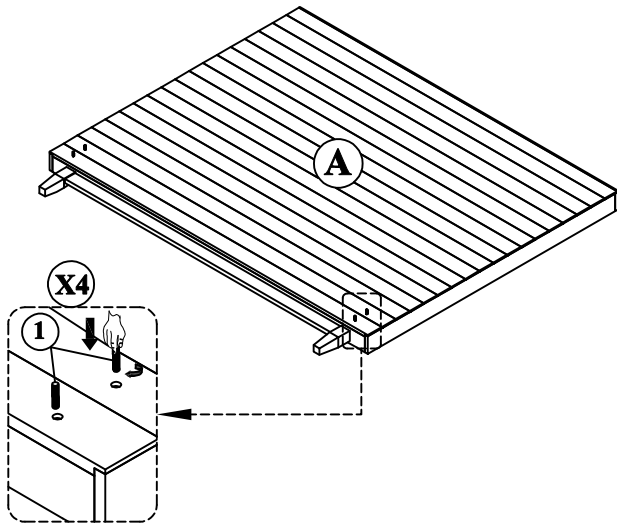
TOOL REQUIRED
PHILLIPS-HEAD SCREWDRIVER (NOT PROVIDED)



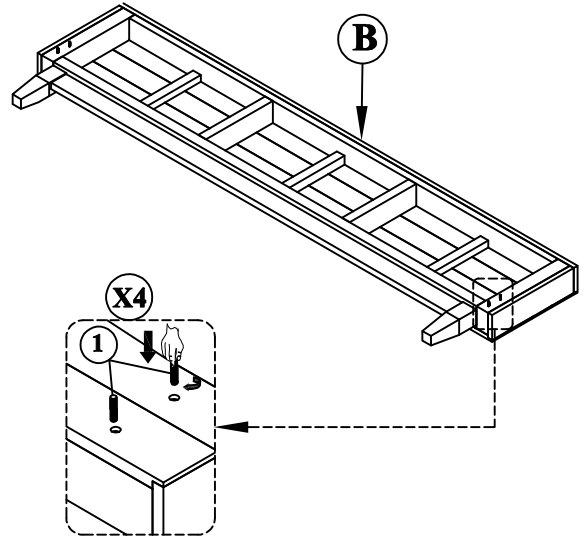
DAKOTA FULL/QUEEN/E.KING BED ASSEMBLY INSTRUCTIONS



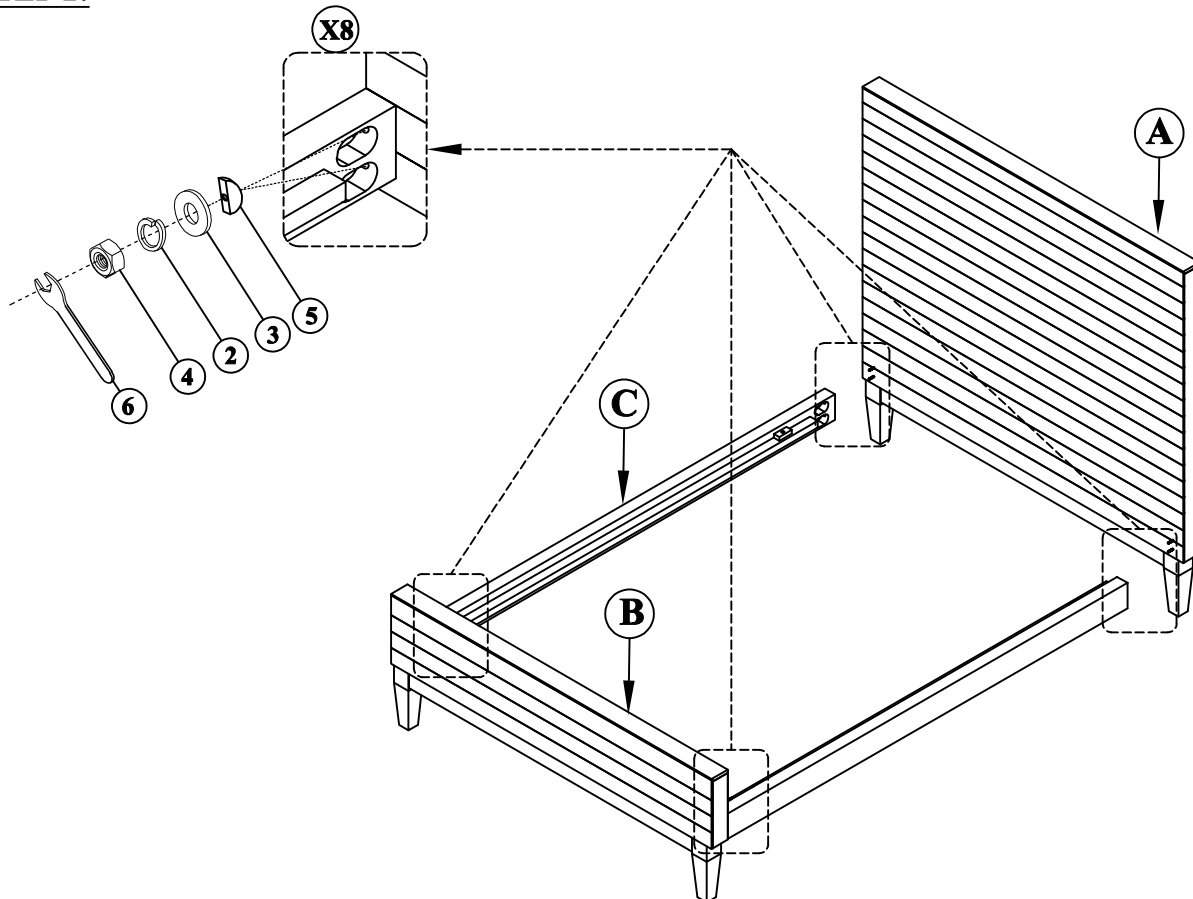
STEP 1:



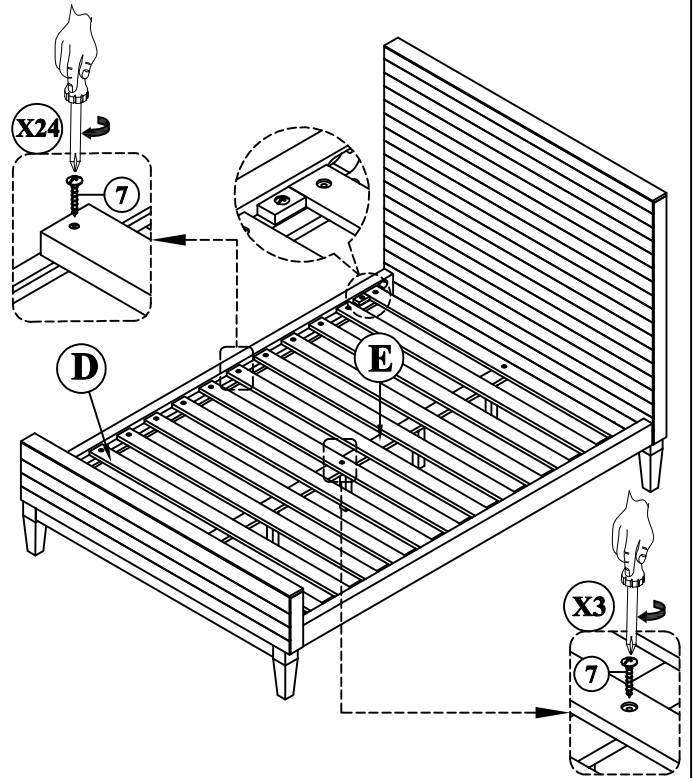
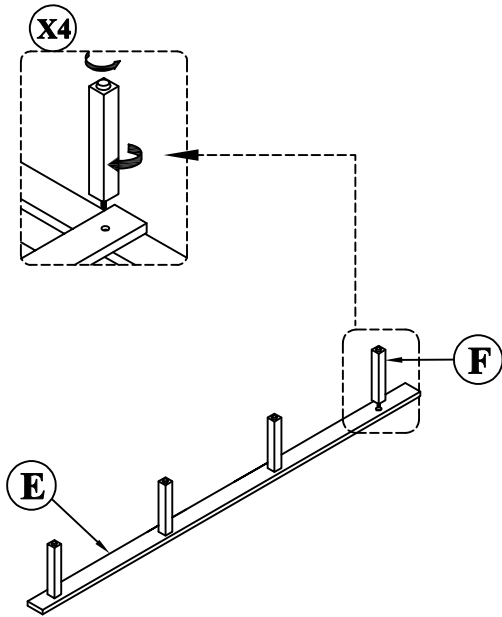
STEP 2:



STEP 2:



DAKOTA FULL/QUEEN/E.KING BED ASSEMBLY INSTRUCTIONS



DAKOTA FULL/QUEEN/E.KING BED FULLY ASSEMBLED

