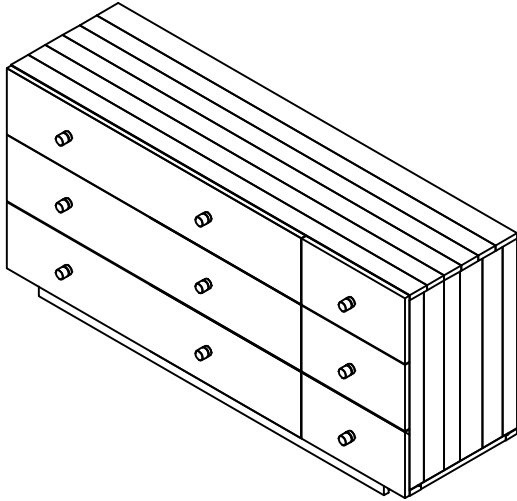


DAKOTA DRESSER ASSEMBLY INSTRUCTIONS

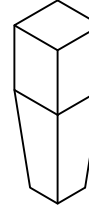


PARTS PACKING CONFIGURATIONS

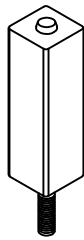
A. DRESSER (1PC) :



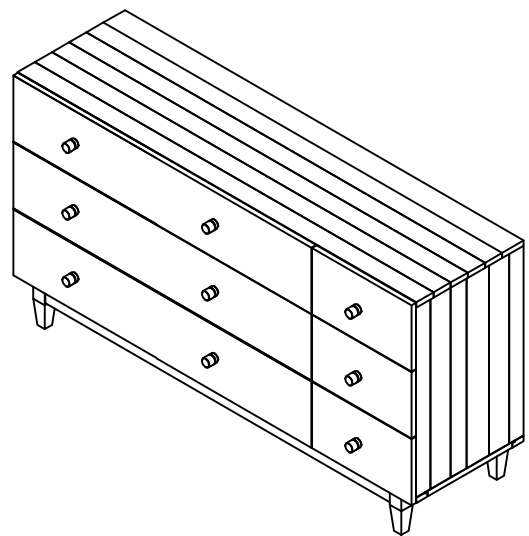
B. LEG (4PCS) :







C. SUPPORT LEG (1PC) :



DAKOTA DRESSER ASSEMBLED :



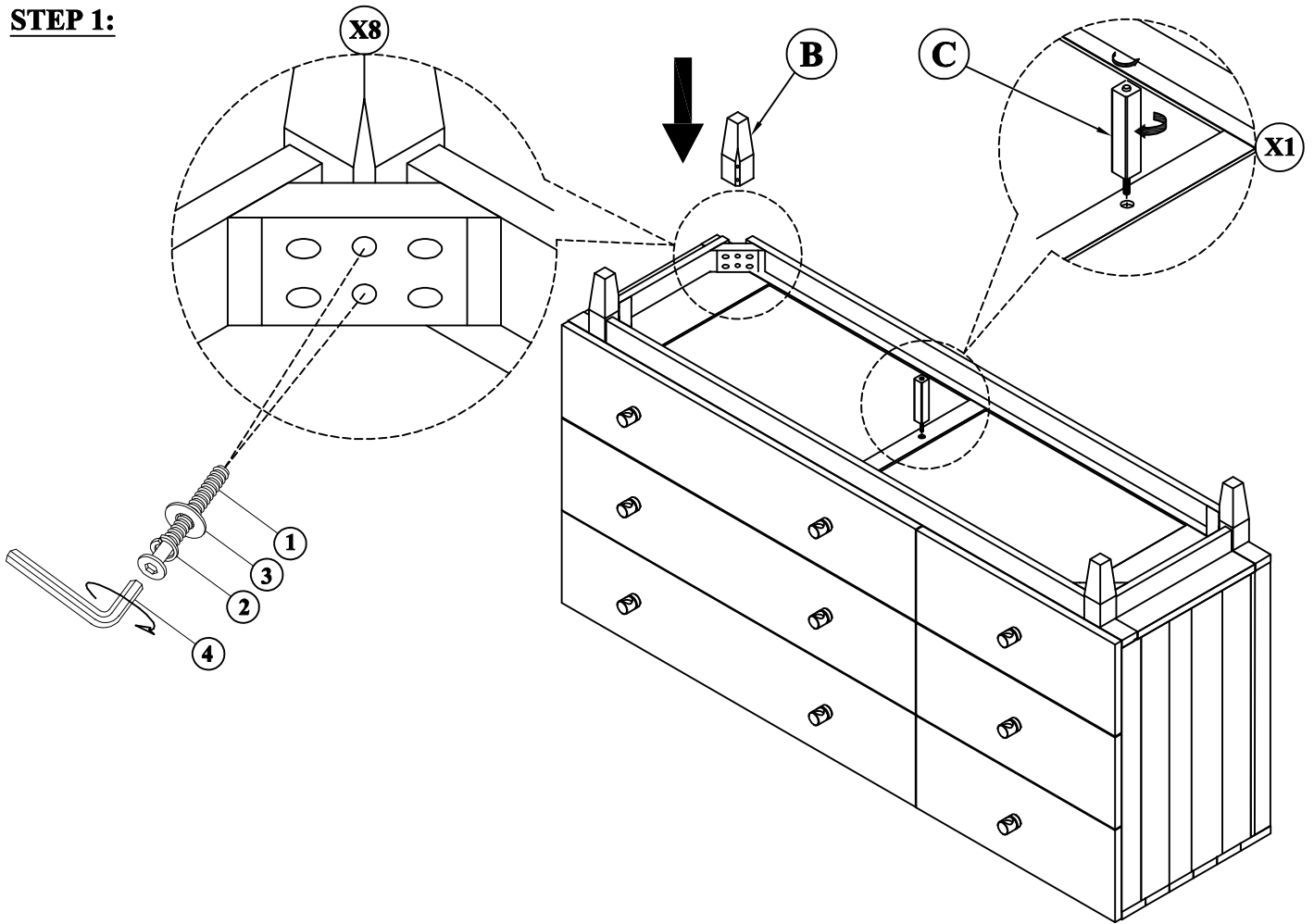
HARDWARE LIST:

No	Description	Photo	Quantity
1	ALLEN BOLT (M6X60)		8 PCS
2	SPRING WASHER (M6)		8 PCS
3	FLAT WASHER (M6)		8 PCS
4	ALLEN KEY		1 PC

DAKOTA DRESSER ASSEMBLY INSTRUCTIONS



STEP 1:



DAKOTA DRESSER ASSEMBLED :

