



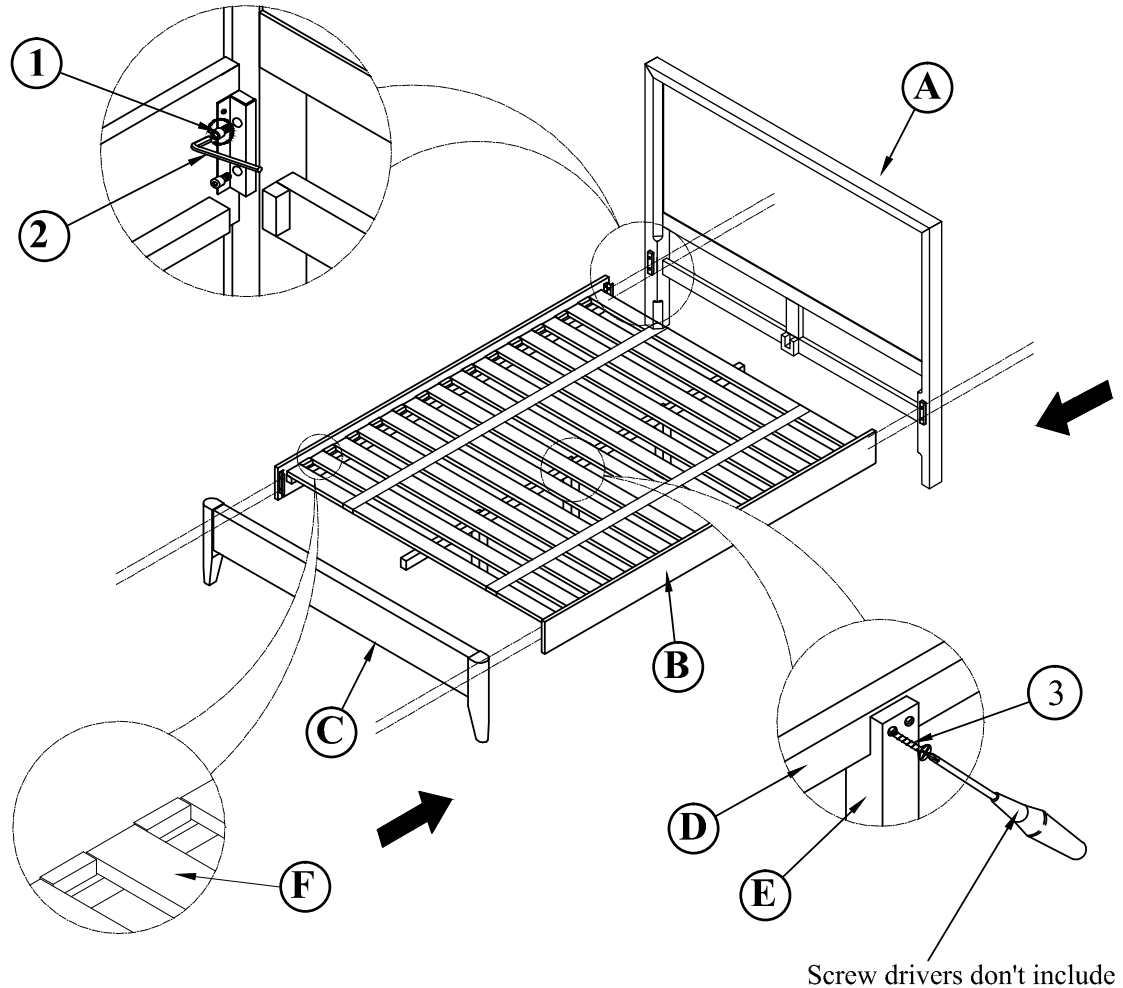
ASSEMBLY INSTRUCTION
ALLEN PLATFORM/PANEL BED
 Queen LS SKU# 85081, King LS SKU# 80579,
 CAL King SKU# 85080



CAUTION: PLEASE READ ALL INSTRUCTIONS BEFORE STARTING THE ASSEMBLY OF THIS PRODUCT. THESE PIECES ARE HEAVY. IN ORDER TO PREVENT PERSONAL INJURY AND ENSURE THAT THIS PRODUCT IS NOT DAMAGED DURING THE ASSEMBLY PROCESS, IT IS STRONGLY RECOMMENDED THAT YOU ENLIST THE ASSISTANCE OF ONE OR MORE PEOPLE.

ATTENTION: VEUILLEZ LIRE, TOUTES LES INSTRUCTIONS AVANT DE COMMENCER L'ASSEMBLAGE DE CE PRODUIT. LES PIECES SONT LOURDES. POUR EVITER TOUTE BLESSURE ET POUR VOUS ASSURER QUE LE PRODUIT N'EST PAS ENDOMMAGE' PENDANT L'ASSEMBLAGE, NOUS VOUS RECOMMANDONS DE FAIRE APPEL A UNE OU PLUSIEURS AUTRES PERSONNES.

CUIDADO: FAVOR DE LEER TODAS LAS INSTRUCCIONES ANTES DE ENSAMBLAR SU PRODUCTO. ESTAS PIEZAS SON PESADAS. PARA PREVENIR HERIDAS PERSONALES Y ASEGURAR QUE SU PRODUCTO NO SEA DAN ADO MIENTRAS ES ENSAMBLADO SE RECOMIENDA LA ASISTENCIA DE UNA O MAUS PERSONAS.



LIST OF PARTS AND HARDWARE

No.	Description	Q'ty
A	HEADBOARD (Box 1 of 3)	1
B	SIDE RAIL (Box 3 of 3)	2
C	FOOTBOARD (Box 2 of 3)	1
D	CENTER RAIL (Box 3 of 3)	1
E	SUPPORT LEG WITH BOLT ATTACHED HEAD (Box 3 of 3)	3
F	MATTRESS SLAT (Box 3 of 3)	14

LIST OF PARTS AND HARDWARE (Box 3 of 3)

Q'ty	Description	No.
1	BOLTS M6x 15	8
2	ALLEN KEY K5	1
3	SCREW M4 x 30	8
4		
5		
6		