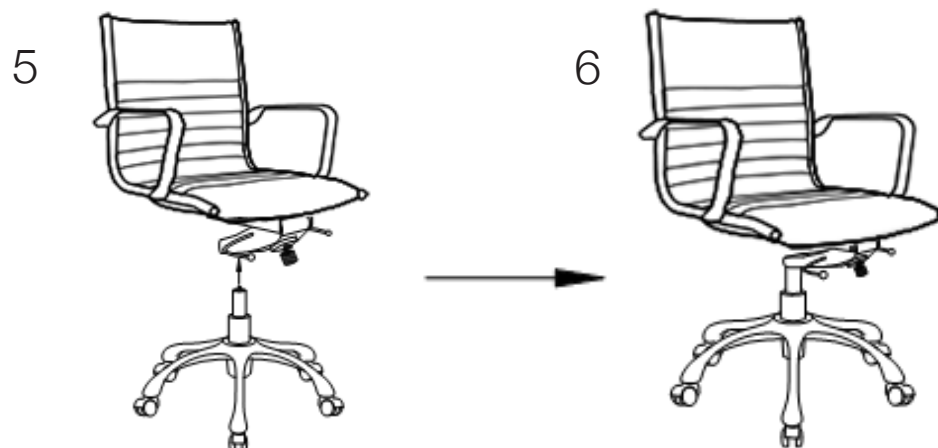
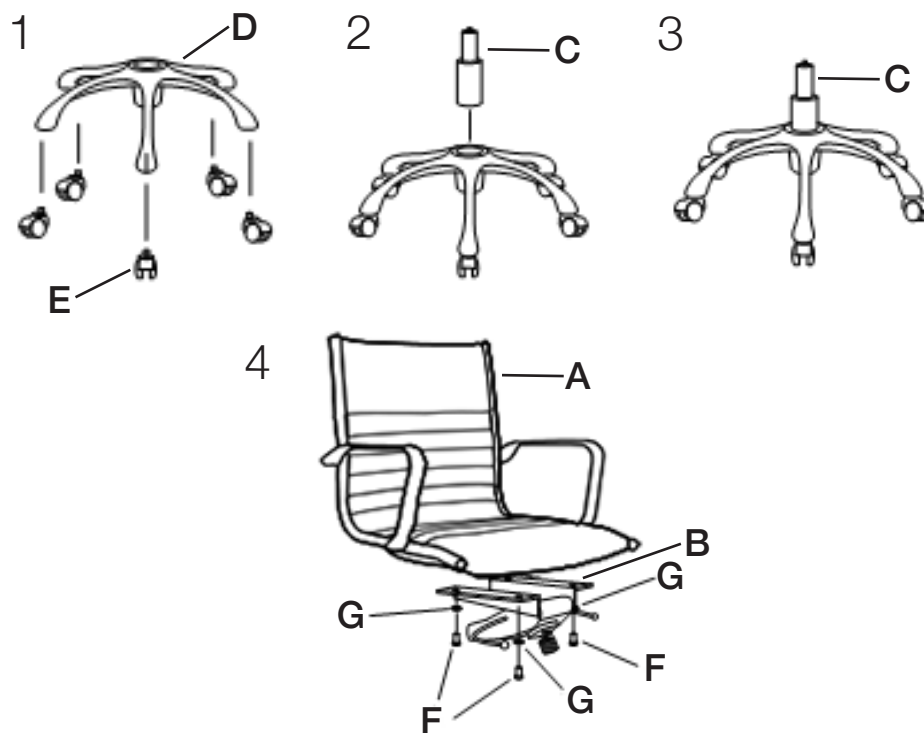


Assembly Instructions

Dirk Low Back Office Chair

PLEASE NOTE: Check that you have received all components and hardware before assembling. If you are missing any parts, contact your retailer.



A (1 pc)



B (1 pc)



C (1 pc)



D (1 pc)



E (5 pcs)



F (4 pcs)
M8-1.25 x 15mm



G (4 pcs)



H (1 pc)

During assembly, hand tighten screws only. When the screws are in place, tighten completely.

Function Description

PLEASE NOTE: Check that you have received all components and hardware before assembling. If you are missing any parts, contact your retailer.



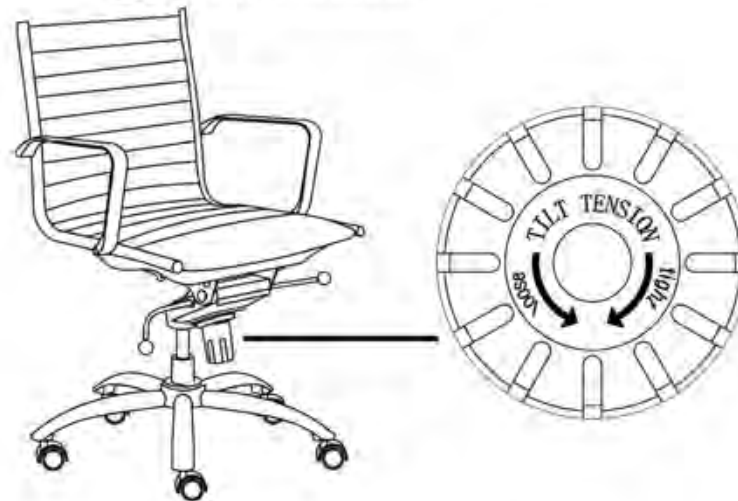
1 Chair height adjustable



2 Chair Tilt and Lock



3 Tilt Tension



During assembly, hand tighten screws only. When the screws are in place, tighten completely.