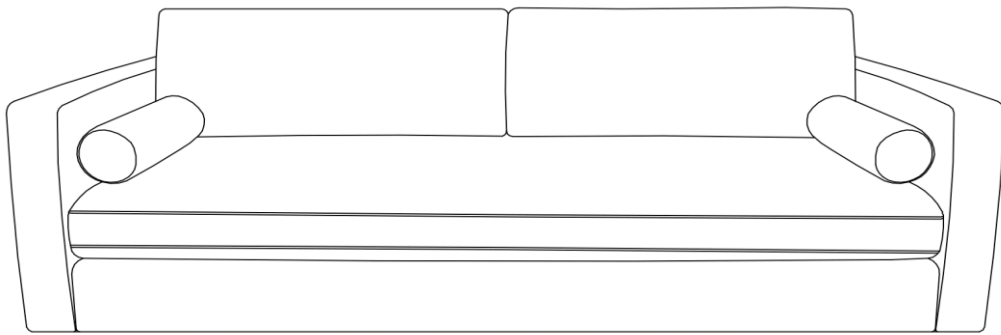


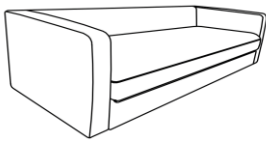
**T O V**



## **Ryan Sofa Bed**

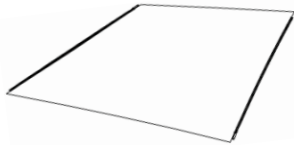
**DON'T BE BORING.**

# Hardware and Components



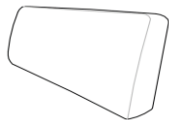
Ryan Sofa Body

**A** X 1pc



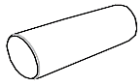
Bed Sheet

**B** X 1pc



Back Cushion

**C** X 2pcs



Boster Pillow

**D** X 2pcs  
( $\phi 150 * 510$  mm)



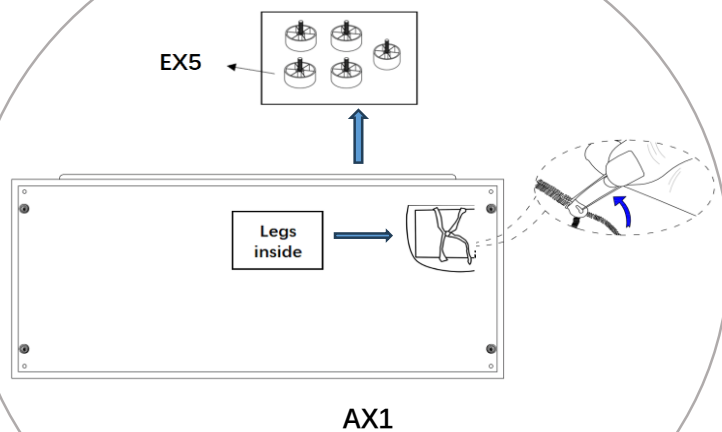
Legs

**E** X 5pcs  
( $\phi 60$ mm X H32mm)

## Step 1

**A.** Position the Ryan sofa body with its bottom facing up. (part A)

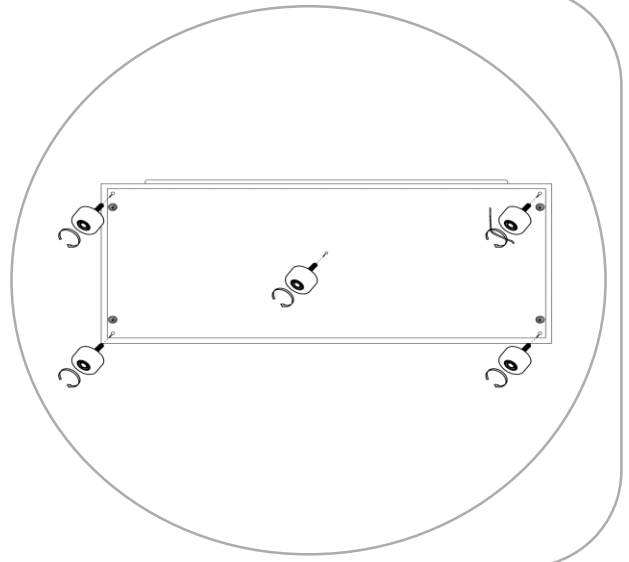
**B.** Open the zippered compartment to remove the 5 legs. (parts B)



## Step 2

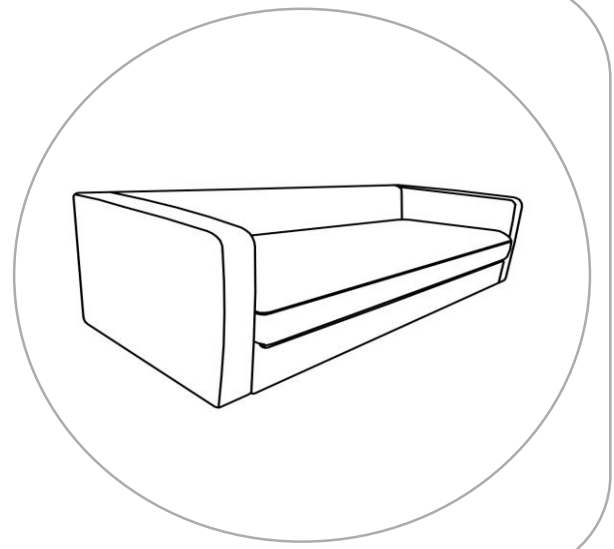
**A.** Install the legs by threading them into the pre-drilled holes as illustrated.

**B.** Repeat 5X , for all 5 legs .



## Step 3

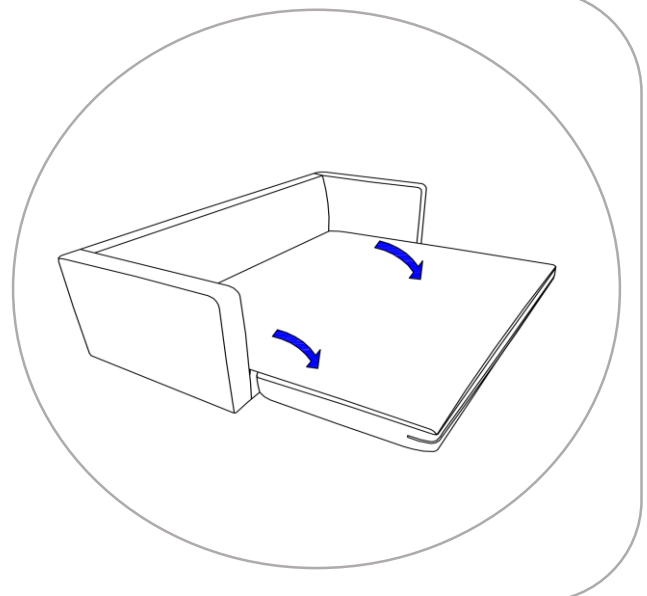
**A.** Tip Ryan sofa body back over, so it is standing in the upright position.



## Step 4

**When you want to make sofa as a bed :**

**A.** Just open and flip the upper seat cushion in the right direction.



Stuck?  
Contact our team @ 516-888-3355

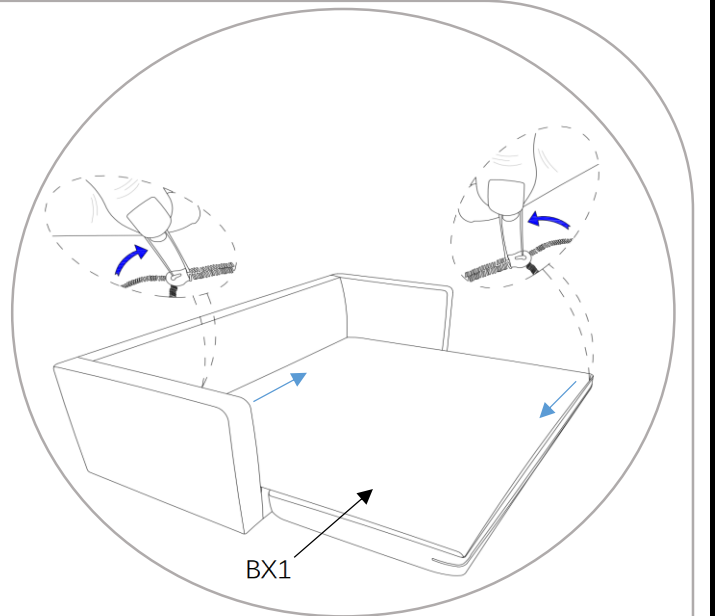
Scan for product care!



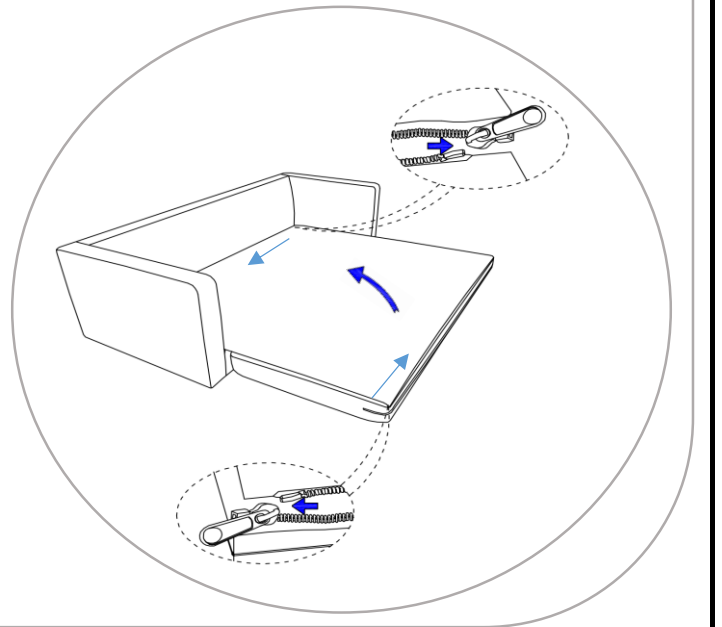
## Step 5

**How to take off the bed sheet (B) and put it on :**

**A.** Open the zipper in two positions in the direction indicated by the arrow.

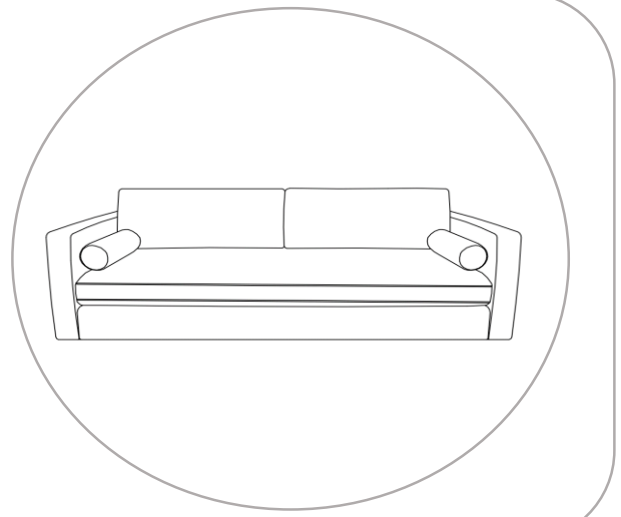


**B.** Close the zipper to the opposite direction and assemble the bed sheet on the two sides of cushions.



## Step 6

**A.** Fold the seat cushion and put the two back cushions (C) and booster pillows (D) on the sofa in the right position.



Stuck?  
Contact our team @ 516-888-3355

Scan for product care!




# TOV



## Follow us!

Show your new purchase some love by tagging it on our Instagram!

 @tovfurniture

 516-888-3355

 hello@tovfurniture.com

 www.tovfurniture.com

If the future is female—your furniture should be, too. No mahogany in sight. Sexy settees shaped like lips. Price points for any budget. At TOV, we do things differently.