

PARTS LIST

No.	DESCRIPTION	IMAGE	QTY
P1	TABLE TOP		1
P2	LEGS		2
P3	CROSSBAR		1

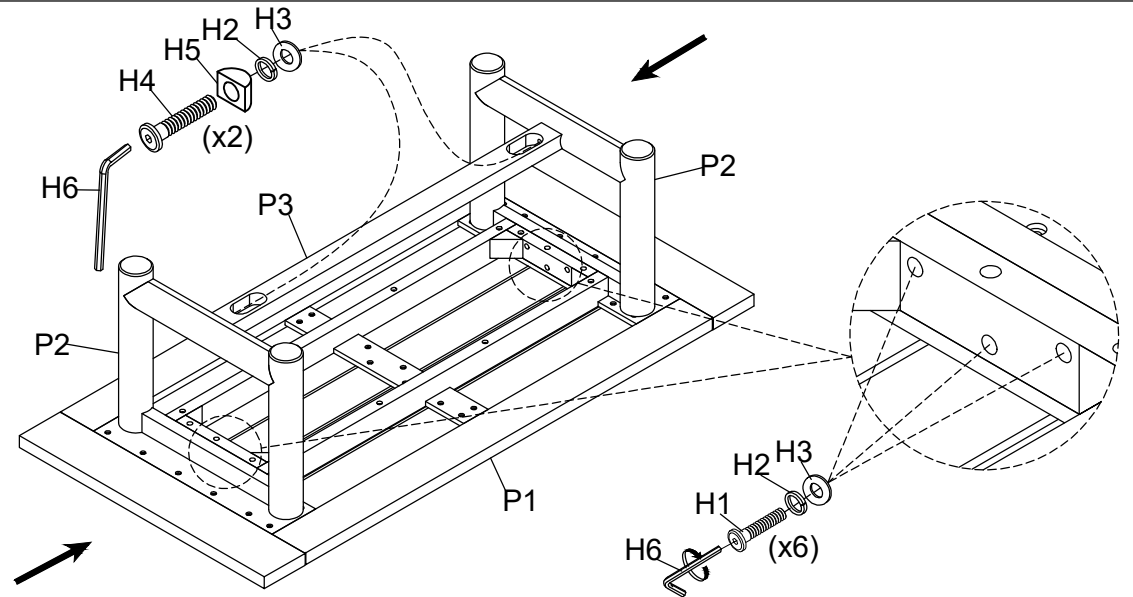
HARDWARE LIST

No.	DESCRIPTION	IMAGE	QTY
H1	BOLT M6X40		6
H2	SPRING WASHER M6		8
H3	FLAT WASHER M6/Ø16		8
H4	BOLT M6X50		2
H5	SEMICIRCLE WASHERS M6		2
H6	ALLEN KEY M4		1

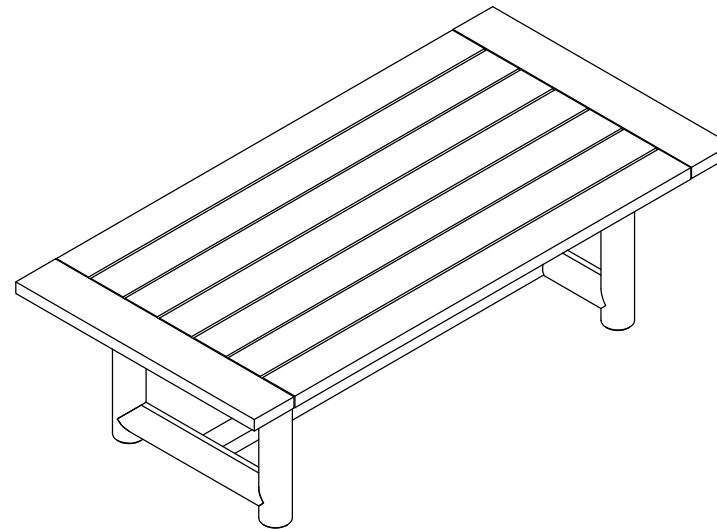
NOTE: PO# is located underneath/ at the back panel of each item. Please be prepared to provide this # should any claim be necessary.

CAUTION: Item is heavy. Assembly should be performed by two people.

1



2



ASSEMBLED COMPLETE