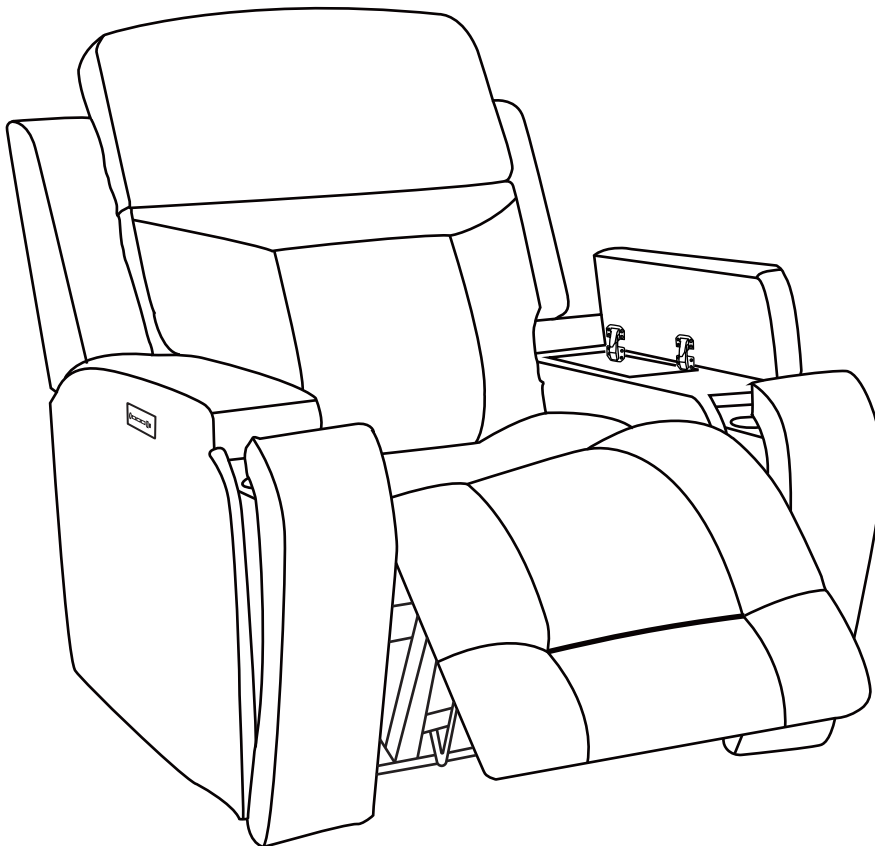




LIVING SPACES

OWNER'S MANUAL

Installation & Operation



SKU: 352260 & 352261

Rev 1 09/2024

Table of Contents


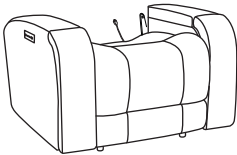


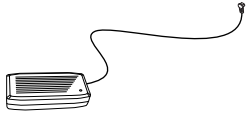


Parts List	01
Installation Guide	02
Function introductions	04
Operating Instructions	05
Disassembly Instructions	09
Audio System	10

Parts List

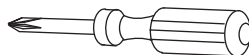


All electronics and components that need to be installed are located in bags under the foundation or attached to the frame. Before discarding the packing materials, ensure that all the parts are accounted for.

PARTS LIST					
CODE	A	B	C	D	E
DESCRIPTION	Back Cushion	Seat Cushion	Wing	Power Cord	Transformer
IMAGE					
QUANTITY	(1)	(1)	(2)	(1)	(1)

OPTIONAL EQUIPMENT (NOT INCLUDED)

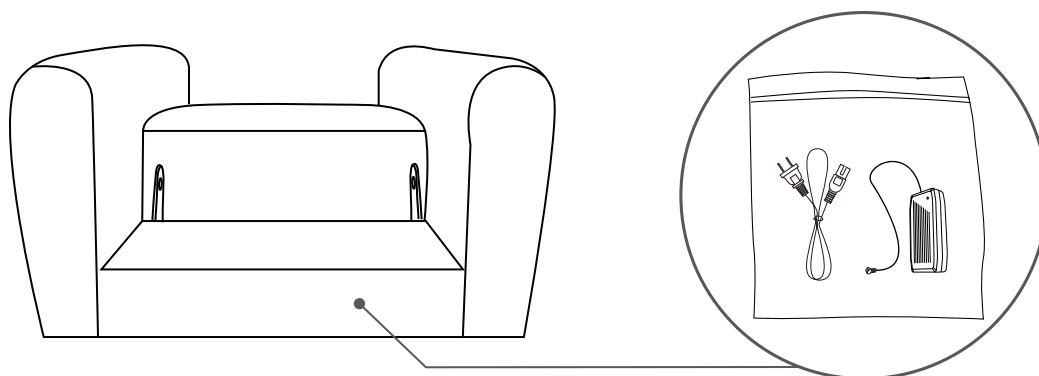
Screwdriver



One person is required to set up the foundation. It takes about 5 minutes.

1

Detach the transformer and power cord from the back rail of the mech under the seat.

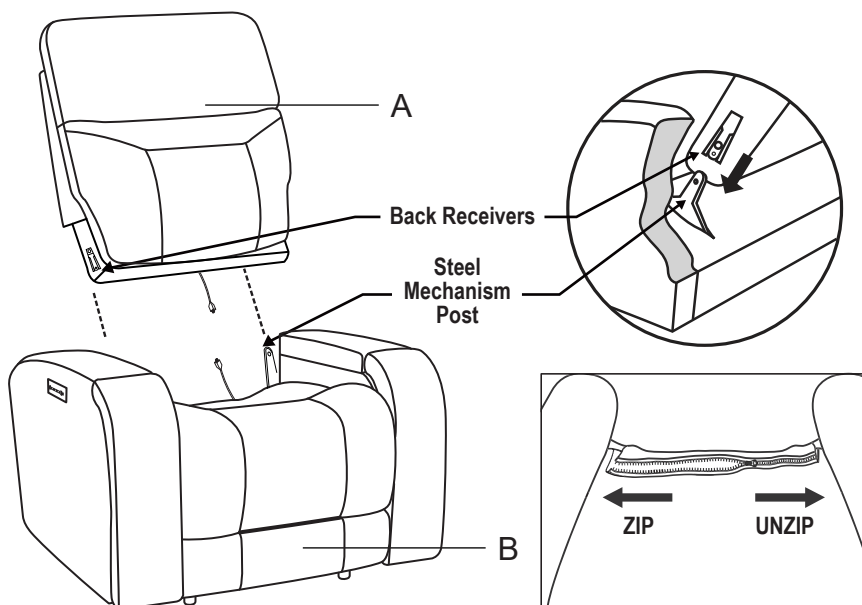


Installation Guide



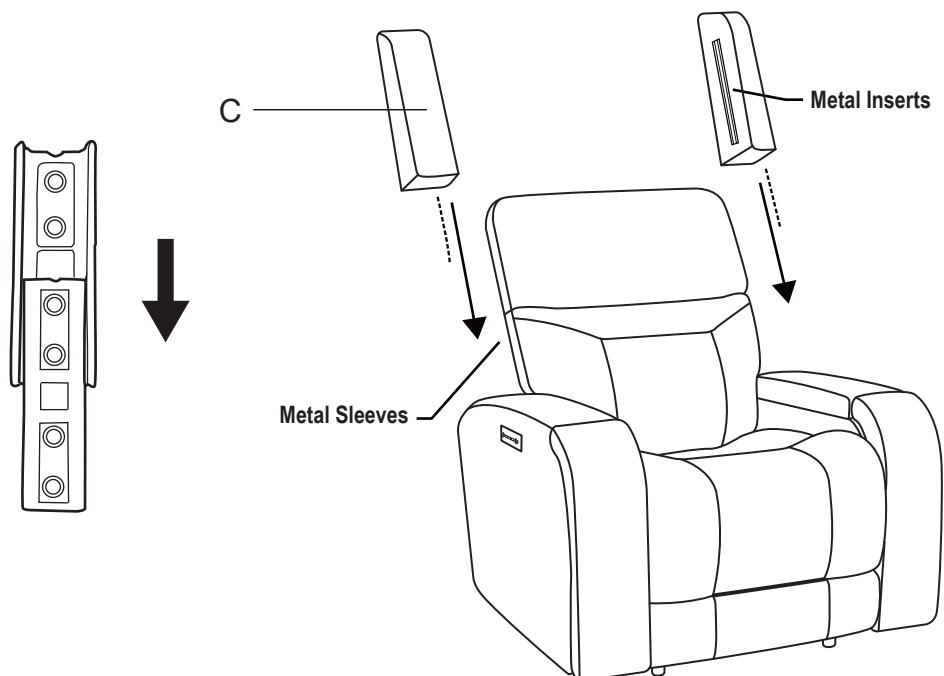
2

Slide inside back receivers onto the steel mechanism posts in the base of the recliner. Press both sides of the back firmly into place until the back automatically locks into track. Zip up the seat cushion and back cushion.



3

Slide the metal inserts on the chair's wings into the metal sleeves on the side of the recliner back.

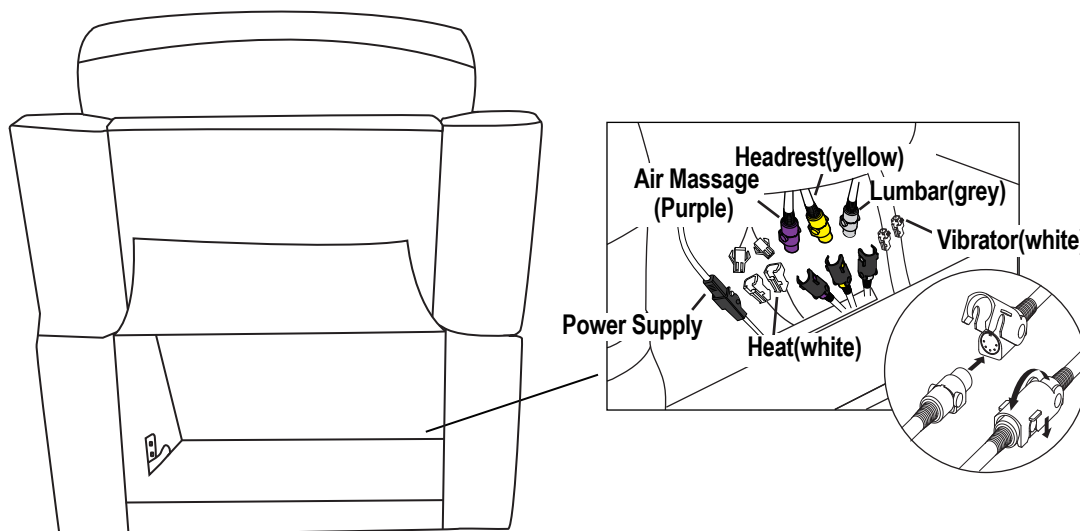


Installation Guide



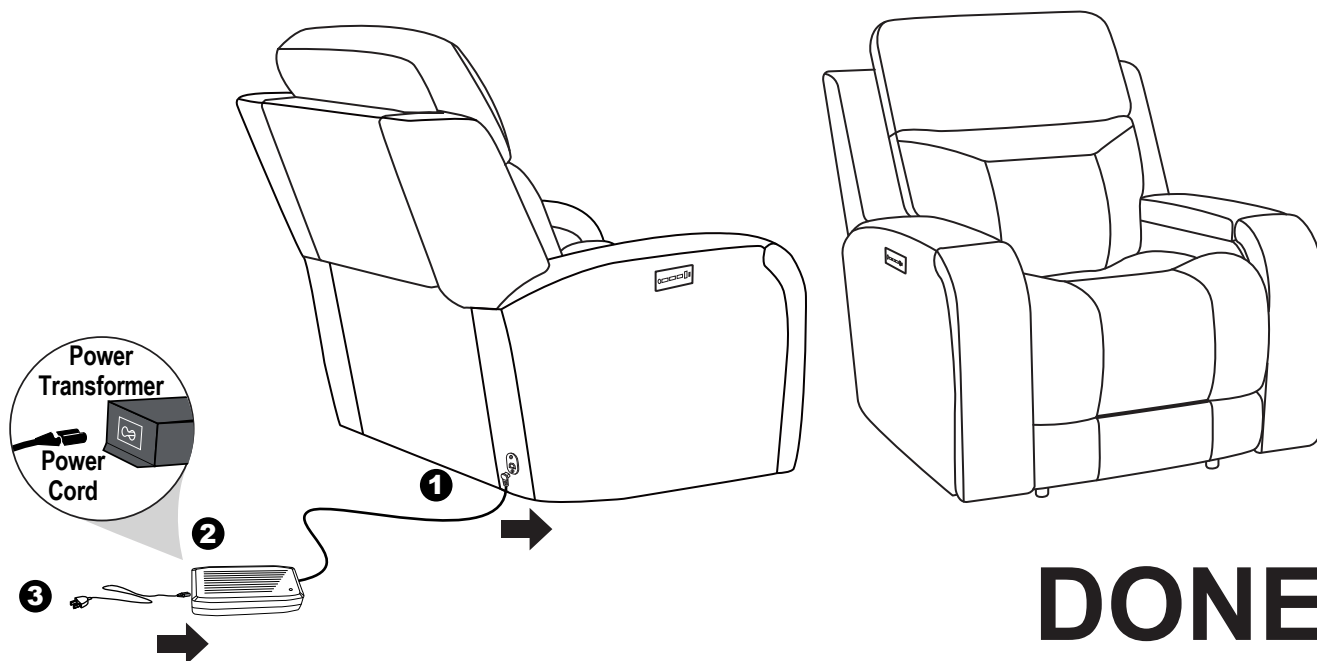
4

Flip the back flap up and connect all the cables accordingly.
Fasten the back flap to the bottom of the furniture.



5

Connect the power transformer to the socket at the bottom of the back of the recliner.
Connect the Power Cord into the Power Transformer.
Plug the power cord into a nearby outlet, still making sure it is clear of the metal base.

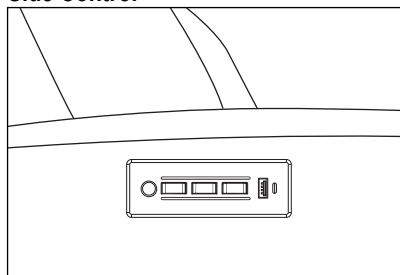


Function introductions

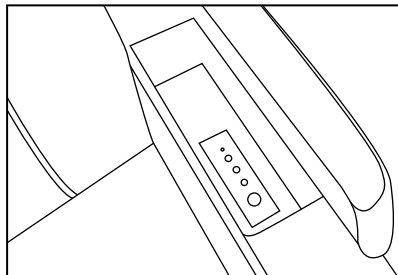


**Caution: Read the important instructions below before operating your power mechanized equipment
Do not allow children to play on or operate this power mechanized equipment**

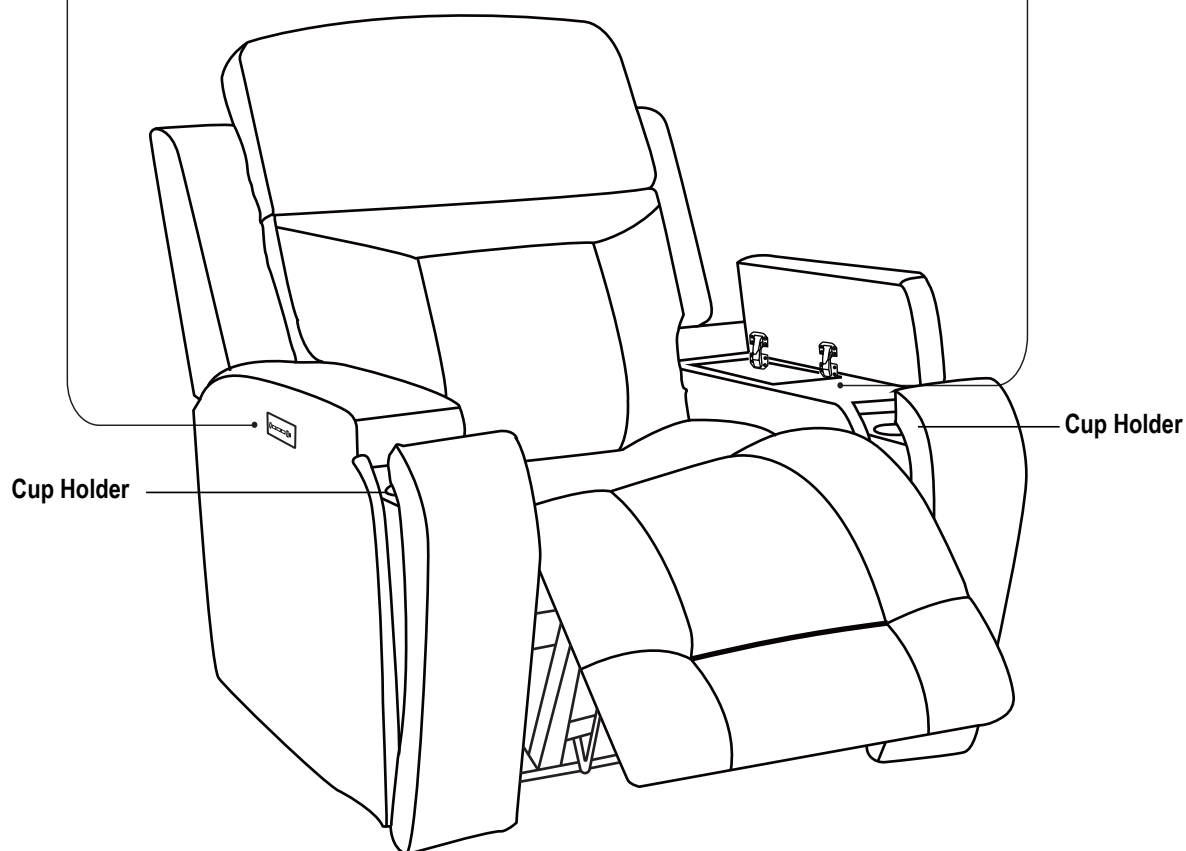
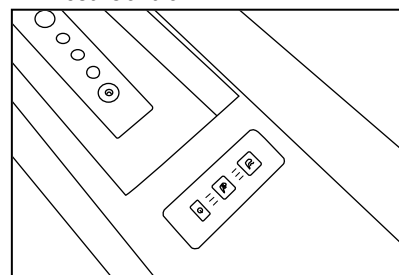
Side Control



Multi Media Control Panel



Armrest Control



Do Not plug the power cord into a power outlet until your furniture is fully assembled and in place.

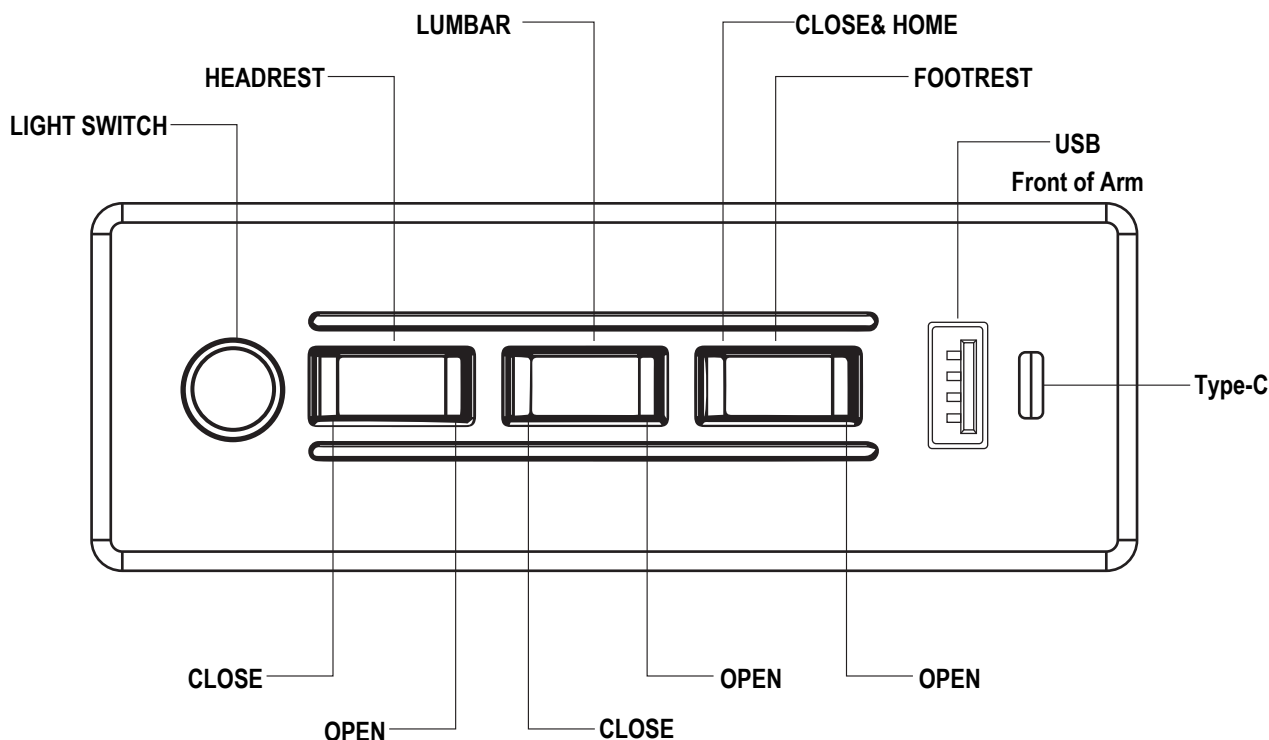
Notes:

- 1) To help prevent shock and or damage to your product only plug the power cord into a grounded outlet.
- 2) Read the operating instructions carefully before operating your furniture.

Operating Instructions



SIDE CONTROL



To recline: Sit on the furniture, and press the front of the button closest to the footrest to smoothly raise the footrest and recline to any position. To lower the footrest and return to an upright position, press the back side of the button closest to the footrest.

To adjust headrest: Press the front of the button closest to the backrest to smoothly raise and adjust the headrest to any position. To lower the headrest and return it to its original position, press the back side of the button closest to the backrest.

To adjust lumbar support: Press the front of the center button to smoothly raise and adjust the lumbar support to any position. To lower the lumbar support and return it to its original position, press the back side of the center button.

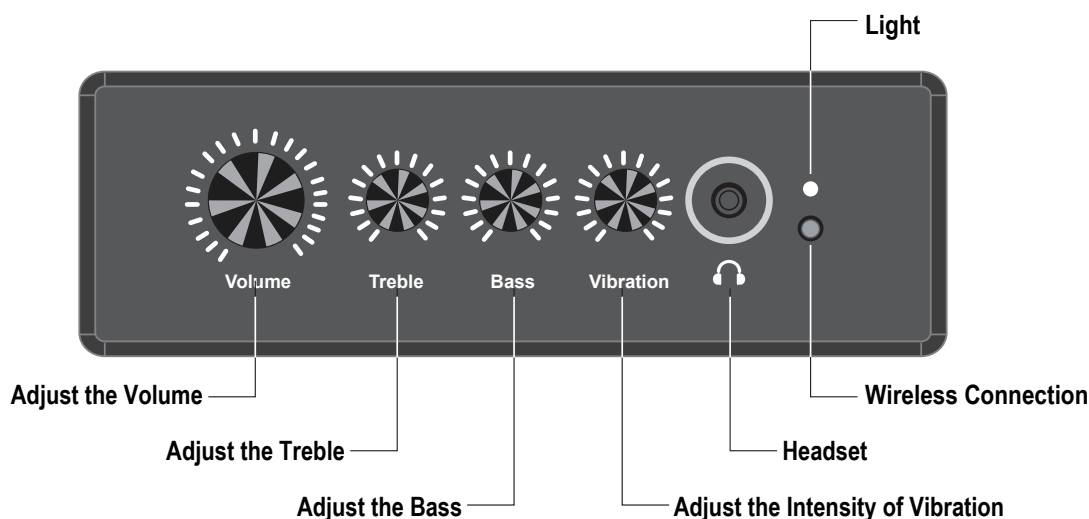
To close all: To simultaneously return the headrest, footrest, and lumbar support to their original positions, press and hold the back side of the button closest to the footrest.

To turn on the led lights: Press the light switch button to turn on/off the cup holder lights and led lights under the arms.

Operating Instructions



Multi Media Control Panel



Turning On/Off the Speaker

Press and hold the volume adjustment knob to turn on the speaker. Press and hold again to turn off the speaker.

Wireless Connection Pairing Mode

Press and hold the wireless button (blue light flashes) to initiate pairing. The wireless device name is: Moto Media System. Once connected, the blue light stays on and you will hear a voice prompt: "Connected." If disconnected, the blue light will turn off and you will hear a voice prompt: "Disconnected."

Switching Broadcast Mode

1. Press the wireless button twice quickly; you will hear a voice prompt: "Broadcast mode." When connected, the red light stays on. Press the wireless button twice quickly again, and you will hear a voice prompt: "Broadcast off," which exits broadcast mode.
2. After the device connects via wireless connection, press the wireless button twice quickly (red light flashes) to enter broadcast mode; the blue light will turn purple. Press the wireless button twice quickly again to exit broadcast mode; the purple light will turn back to blue.

Using Broadcast Mode

When a device such as a phone or TV is connected to the wireless connection of Sofa A, press the wireless button twice quickly to switch to broadcast mode (purple light stays on). Then turn on the Sofa B speaker and press the wireless button twice quickly to switch it to broadcast mode (red light stays on). Sofa A will act as the signal source, and Sofa B will sync to play the audio or video from Sofa A.

Operating Instructions



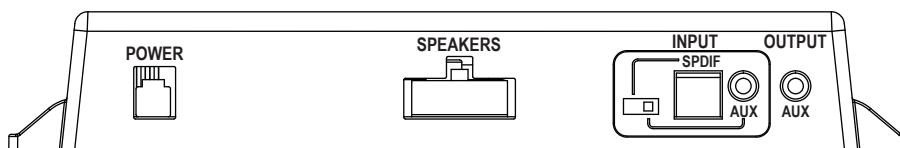
Multi Media Control Panel

Notes

1. Wireless connection search will automatically end after three minutes without connecting to any devices, and the flashing light will turn off. If you press the button during the flashing period, the search will end.
2. Wireless connection mode has higher priority than broadcast mode. In broadcast mode, if different devices connect via wireless connection to play audio or video, broadcast mode will stop. If no playback occurs for about 4 seconds, it will re-search for other broadcast signal sources.
3. If multiple sofas are connected to the same device via wireless connection, audio and video cannot be played simultaneously. The default is for the last connected sofa to play.

Example: If sofas A, B, and C are all in broadcast mode (red light stays on), press and hold the wireless button (red light flashes) to connect to sofa A (purple light stays on). Sofas B and C will sync to play audio or video from sofa A. If the same device connects to sofa B (purple light flashes), sofa B and C will play normally, and sofa A will stop working. If you then connect to sofa C (purple light stays on), sofa C will play normally, while sofas A and B will not work. A restart is needed for playback.
4. When using wireless connection to connect the main speaker sofa to a TV, there may be delays and instability. It is recommended to use a wired connection to the main speaker sofa and then use broadcast mode for wireless synchronization to other sofas.
5. Please keep the wireless connection between devices within 10 meters.

Multimedia Control Box



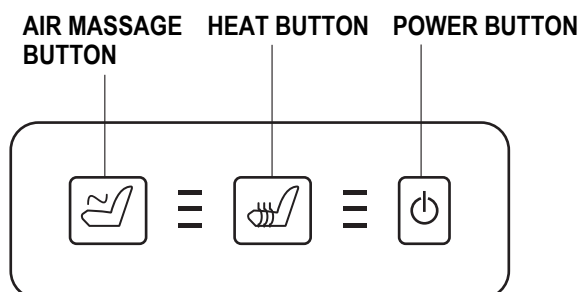
This is located at the bottom of the back of the recliner. AUX input, AUX output, and S/PDIF are located on the Multimedia Control Box. You can connect multiple devices by using a 3.5mm AUX cable connecting the AUX input to the audio source and then connecting another 3.5mm AUX cable from AUX output to the AUX input of the next Multimedia control box. 3.5mm AUX cable sold separately.

Operating Instructions



Armrest Control

Your recliner is equipped with easily accessible armrest controls for air bladder massage and heat.



POWER BUTTON

Press the power button to turn the armrest control features on and off.

HEAT BUTTON

Press the heat button to activate the heat function. Press again to cycle intensity through low, medium, and high heat.

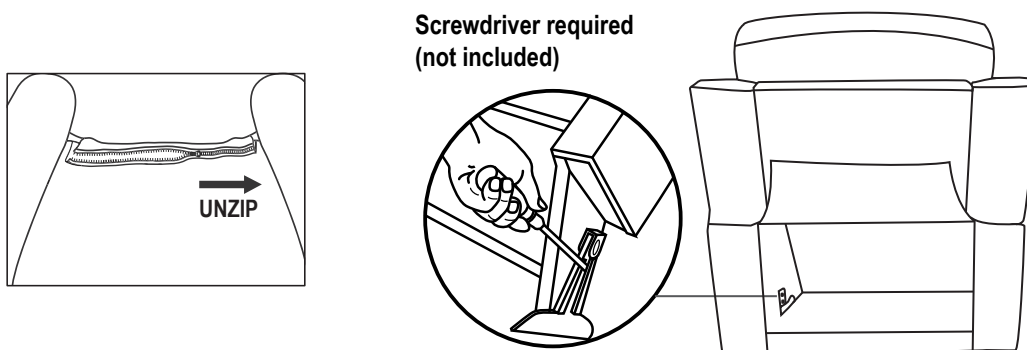
AIR MASSAGE BUTTON

Press the air massage button to activate the gentle pressure massage function. Press again to cycle through low, medium, and high intensity.

Disassembly Instructions



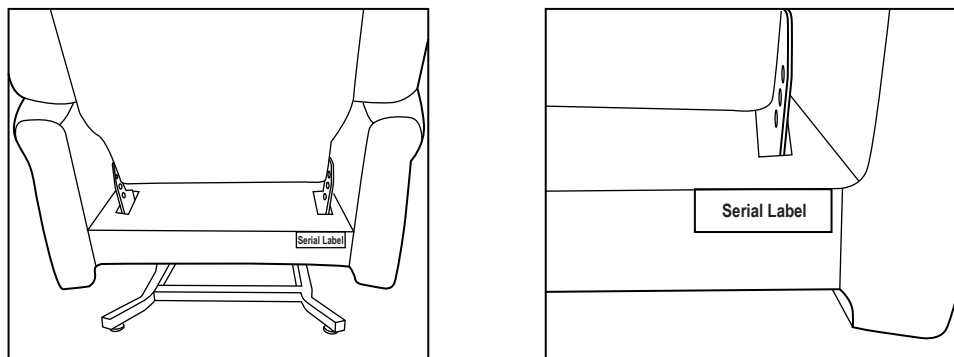
Unzip the seat cushion and back cushion, to remove the back from the base. Pull out the black tab by hand or use a screwdriver pressing outward on black tab, then lift the back from the recliner of the chair to release.



Screwdriver required
(not included)

SERIAL LABEL

Your serial number label is at the rear of the recliner, as the below picture.



FCC INSTRUCTION

CAUTION: Changes or modifications not expressly approved by the party responsible for compliance could void the user's authority to operate the equipment.

NOTE: This equipment has been tested and found to comply with the limits for a Class B digital device, pursuant to Part 15 of the FCC Rules. These limits are designed to provide reasonable protection against harmful interference in a residential installation. This equipment generates, uses, and can radiate radio frequency energy and, if not installed and used in accordance with the instructions, may cause harmful interference to radio communications. However, there is no guarantee that interference will not occur in a particular installation. If this equipment does cause harmful interference to radio or television reception, which can be determined by turning the equipment off and on, the user is encouraged to try to correct the interference by one more of the following measures:

- Reorient or relocate the receiving antenna.
- Increase the distance between the equipment and receiver.
- Connect the equipment into an outlet on a circuit different from that to which the receiver is connected.
- Consult the dealer or an experienced radio/TV technician for help.

Audio System



PAIRING INSTRUCTION

Before you start. Switch on the pairing function on your mobile device. Make sure your power foundation is correctly connected and is power-on.

1. Pair with Audio System: Search for the audio device named "Moto Audio" on your device and establish a connection.
2. Music Playback: Once your devices are successfully connected, you can begin playing music through the audio system integrated into the power foundation.
3. Connection Range: Keep in mind that the effective range between the power foundation and your device is approximately 26 ft.

TROUBLESHOOTING

SYMPTOMS	SOLUTIONS
No sound	The volume is on minimum.
	Audio system is not paired properly.
	Please contact the store or customer service.
Audio system cannot be paired	Restart your power foundation.
	Do not attempt to pair the device behind a wall.
	Make sure you are pairing the devices within the connection range (26 ft).

PRODUCT PROTECTED BY FOLLOWING PATENTS:
Patented Articulating Power Headrest & Lumbar
US Patent: 10, 736, 423

00980A

Customer Service Toll Free: 1-844-696-6886

Email: motoservice@hccusacorp.com



LIVING SPACES

Thank you for purchasing a Power Foundation.

Contact Customer Service Toll Free at

1-844-696-6886

Email: motoservice@hncusacorp.com