

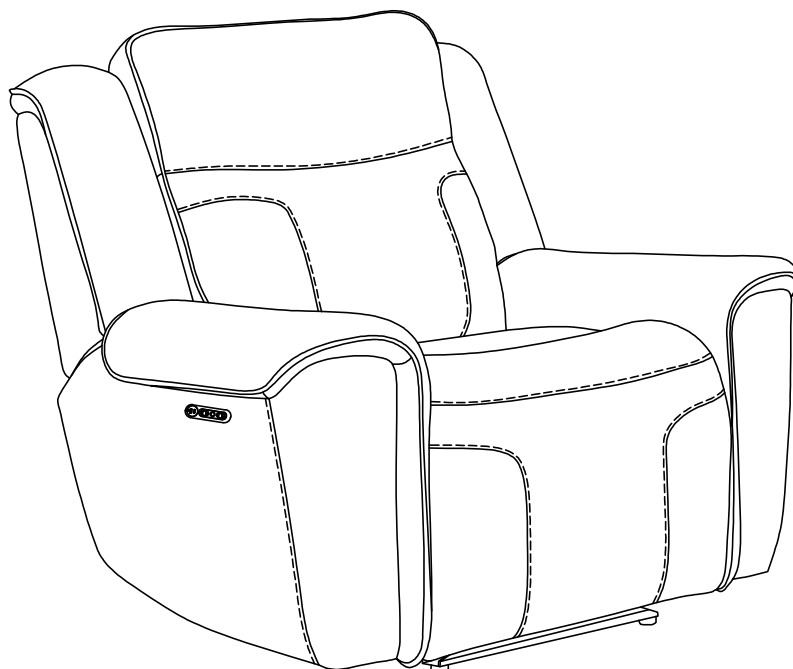


LIVING SPACES

DALEY POWER ZERO G OVERSIZED  
**MODEL :** RECLINER W/ PWR HDRST & USB

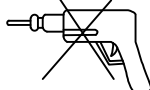
## ASSEMBLY INSTRUCTIONS NOTICE DE MONTAGE

\* Please keep these instructions and have the product model # and part # available when requesting a service.



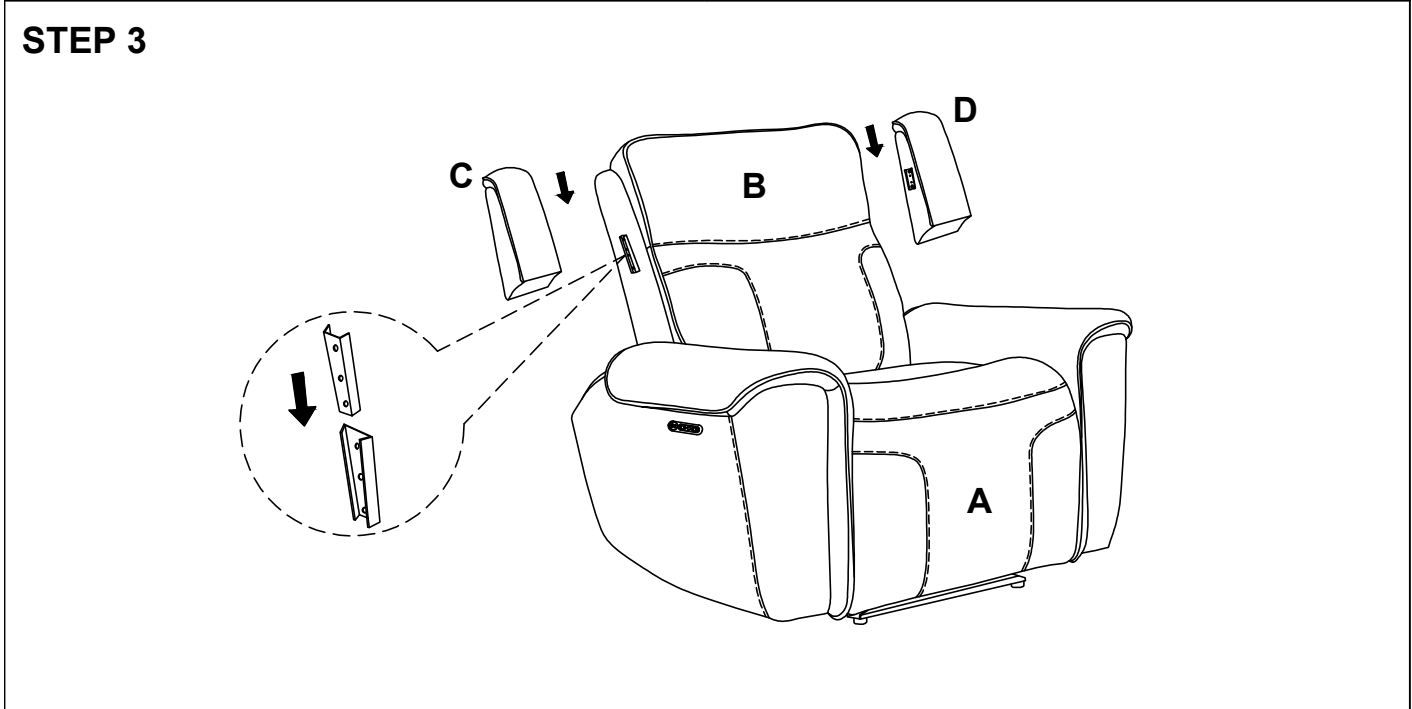
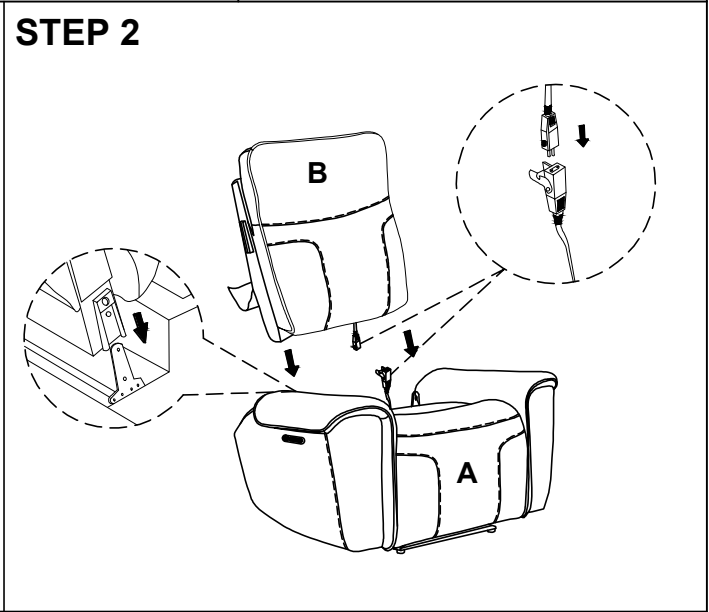
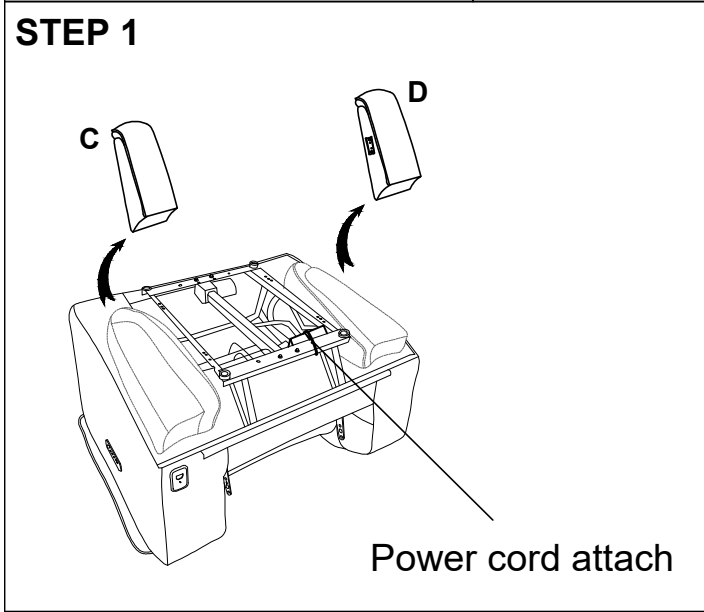
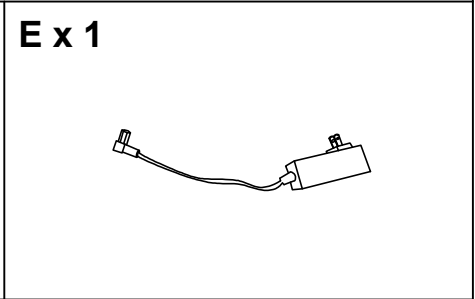
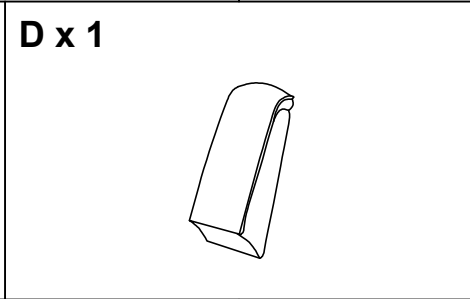
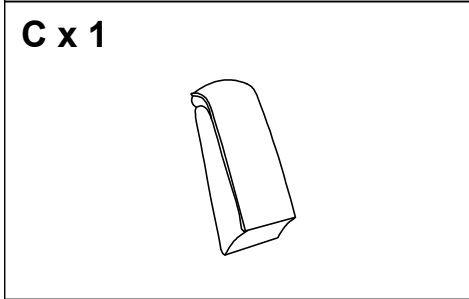
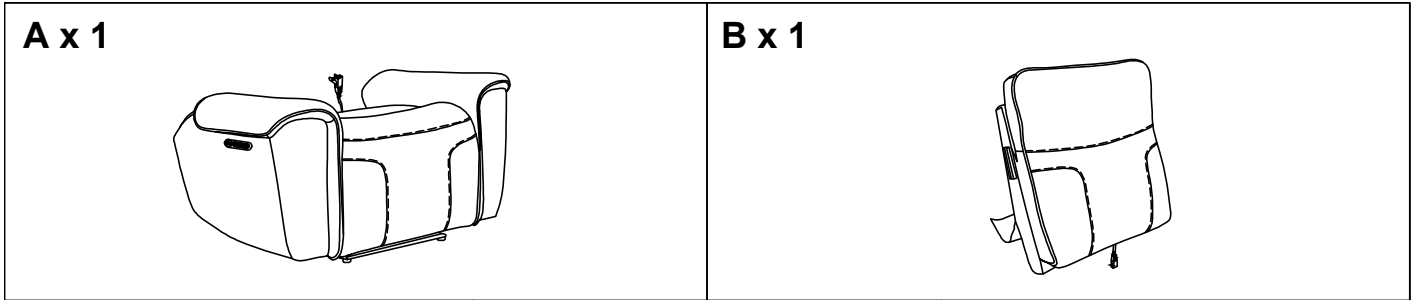
### IMPORTANT NOTE

Do not use a power tool to assemble this product as it could damage the thread of the hardware and affect the solidity/durability of the product.

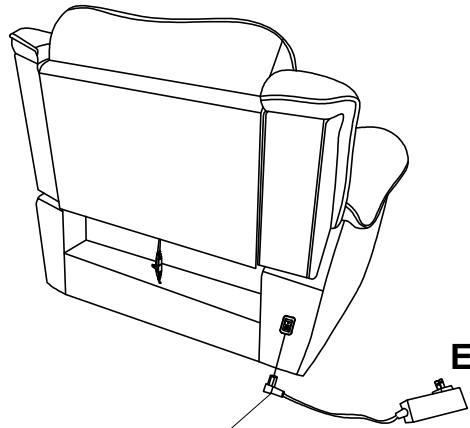


MADE IN VIET NAM

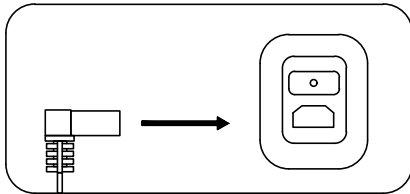
Page 1 of 3



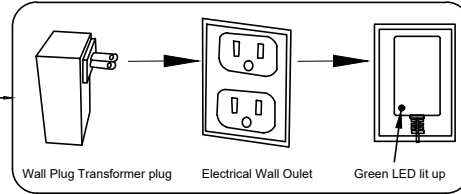
## STEP 4



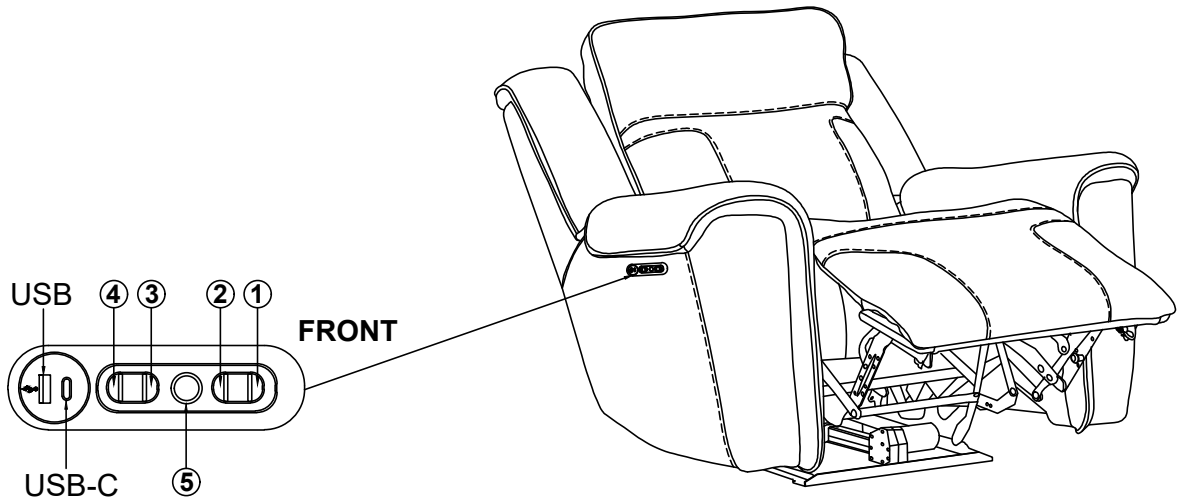
Connect wall plug transformer to the LED DC adapter.



Connect wall plug transformer from Recliner to electrical wall outlet.



## STEP 5



- 1. Press button **1** Leg Rest Open.
- 2. Press button **2** Leg Rest Close.
- 3. Press button **3** Headrest Forward.
- 4. Press button **4** Headrest Back.
- 5. Home button **5** All Close.