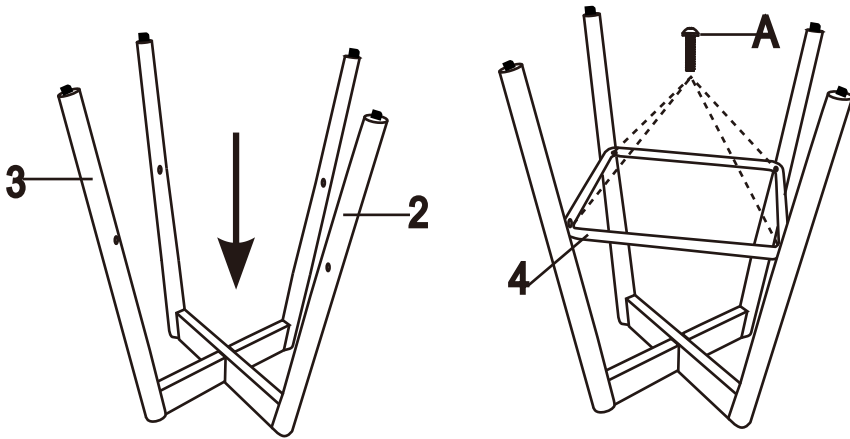












Product Assembly Instructions

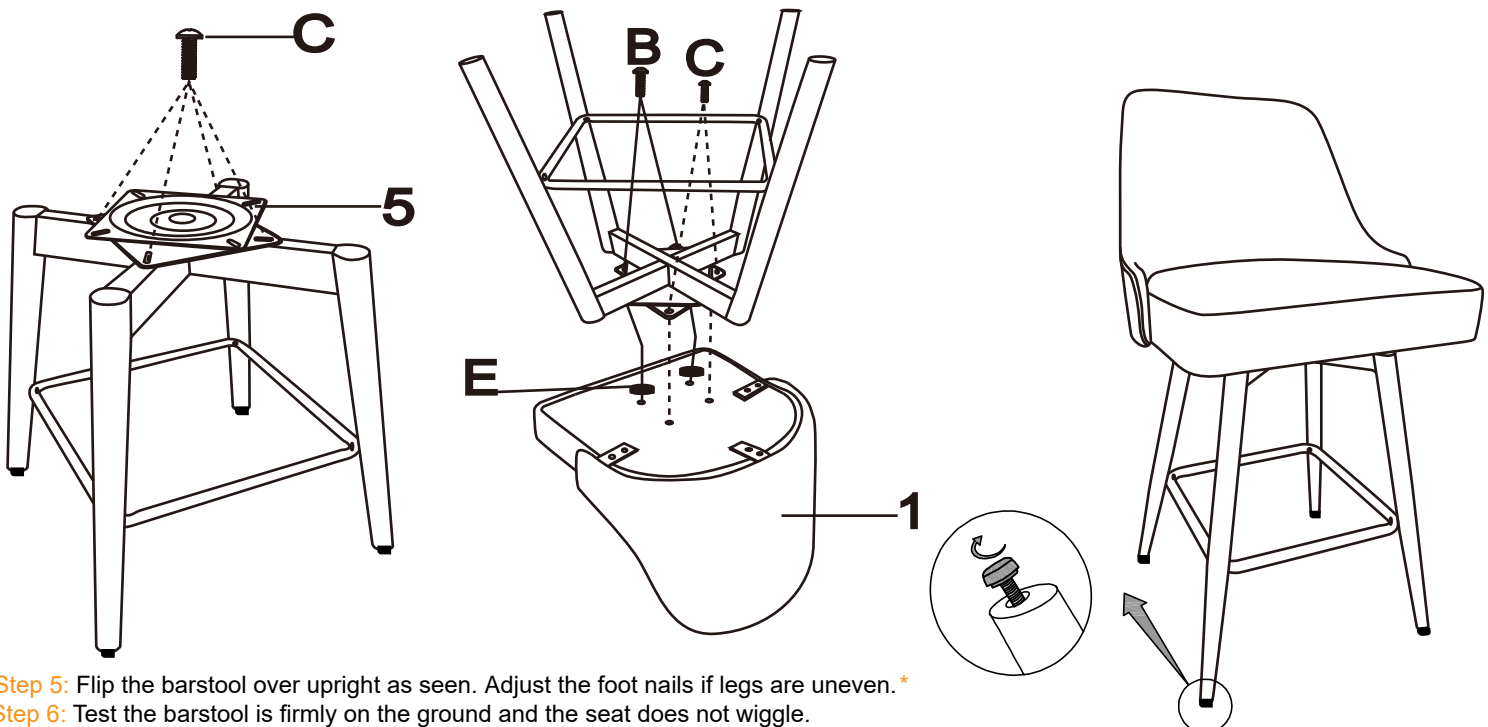
Item#: Sicily Swivel Chair

Helpers needed to assemble: 2
 Estimate time frame to assemble: 20 minutes



#	Picture	Description	Quantity
1		Seat	1
2		Underneath Leg	1
3		Upper Leg	1
4		Footrest	1
5		Swivel Plate	1
A		Bolts(M6x30)	4+1EXT
B		Bolts(M6x20)	2+1EXT
C		Bolts(M6x16)	6+1EXT
E		Washer	2
G		Allen Key	1

- * **Step 1:** Turn the barstool legs upside down onto the floor and cross them together as shown.
- * **Step 2:** Use 4pcs bolt (A M6x30) to tighten Footrest (4) with Leg Frame as shown. Repeated until all 4 sides are bolted.
- * **Step 3:** Turn the chair legs upright use 4pcs bolt (C M6X16) to tighten the Swivel Plate (5) underneath. Make sure the plate aligns with the bolt holes on barstool legs base.
- * **Step 4:** Once the swivel is secure, turn the seat upside down and add the seat under the barstool to connect the seat to the legs. Place 2pcs Washers (E) in the front of the seat. Use 2pcs bolts (B M6x20) and 2pcs bolt (C M6x16) to tighten the swivel plate and seat. Make sure the plate aligns with the washers and bolt holes on the seat.



- * **Step 5:** Flip the barstool over upright as seen. Adjust the foot nails if legs are uneven.*
- * **Step 6:** Test the barstool is firmly on the ground and the seat does not wiggle.
- * **Step 7:** Sit and enjoy your new barstool.

* Keep the Allen Key and tighten all screws each 3 months for safety concern!