

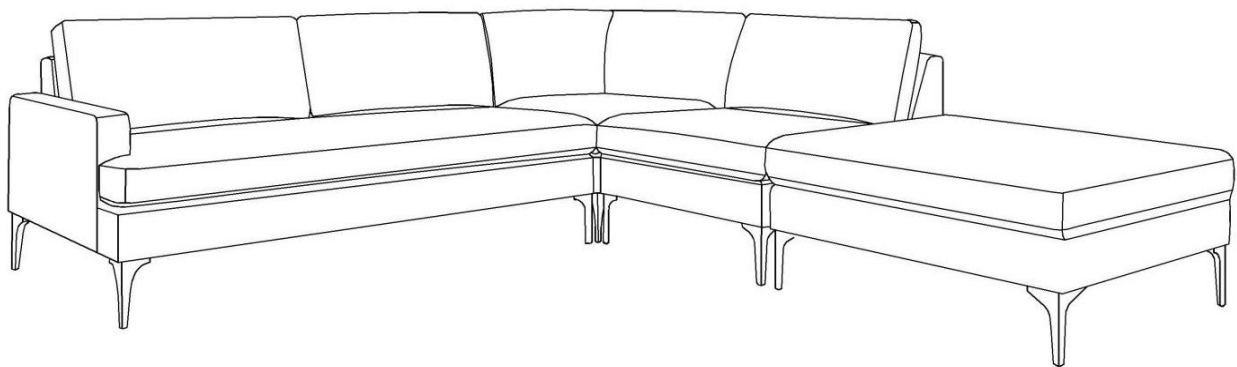


## Serena Sectional




# **SERENA**

---


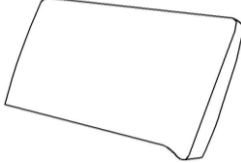
# **ASSEMBLY INSTRUCTIONS**



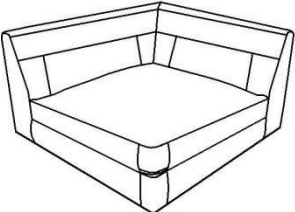
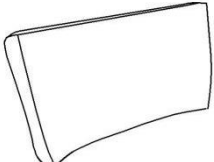
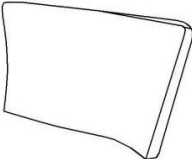
## HARDWARE FOR EACH PIECE

LABEL	PICTURE	DESCRIPTION	QTY
A		Bolt M8 x20 mm	8
B		Flat Washer	8
C		Allen Wrench M8	1
D		Leg	4
E		Spring Washer	8


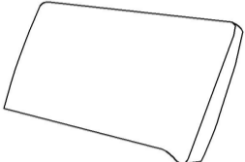
## COMPONENTS LISTS FOR LAF / RAF

LABEL	PICTURE	DESCRIPTION	QTY
1		LAF / RAF Body	1
5		Back Cushion	2

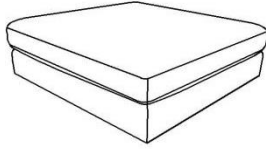
## COMPONENTS LISTS FOR CORNER SEAT

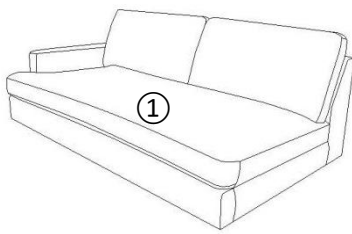
LABEL	PICTURE	DESCRIPTION	QTY
2		<b>Corner Body</b>	1
6		<b>Back Large Cushion</b>	1
7		<b>Back Small Cushion</b>	1

## COMPONENTS LISTS FOR ARMLESS CHAIR

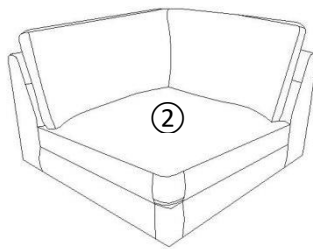
LABEL	PICTURE	DESCRIPTION	QTY
3		<b>Armless Chair Body</b>	1
5		<b>Back Cushion</b>	1

## COMPONENTS LISTS FOR Ottoman

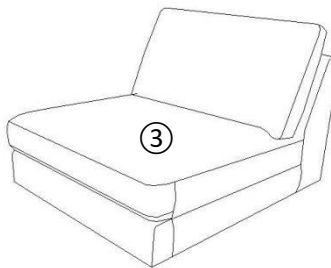
4		Ottoman Body	1
---	---	--------------	---



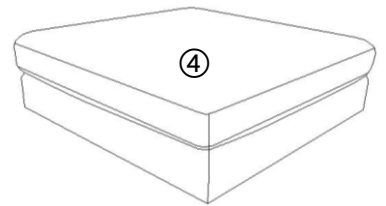
LOVESEAT



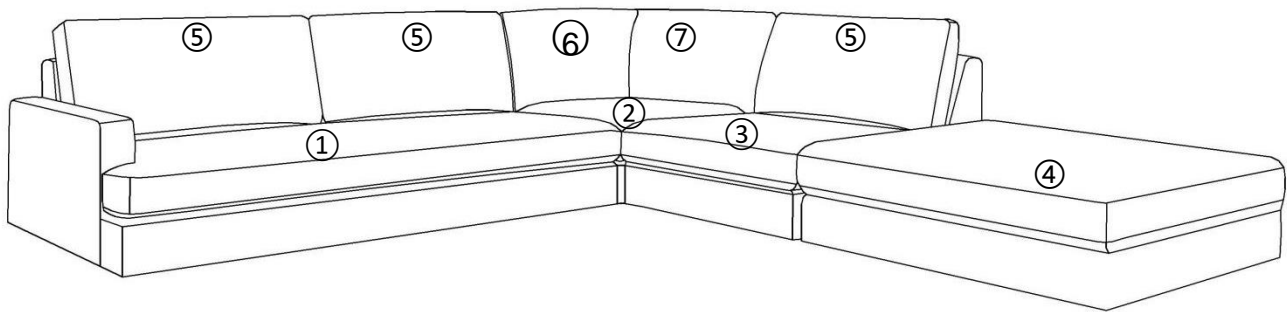
CORNER



ARMLESS



OTTOMAN



### BEFORE BEGINNING ASSEMBLY:



*Read instructions cover to cover*



*Have two adults on hand for assembly*



*Do NOT assemble on flooring or carpet. Assemble on a clean non-marring surface (ex: packing foam)*



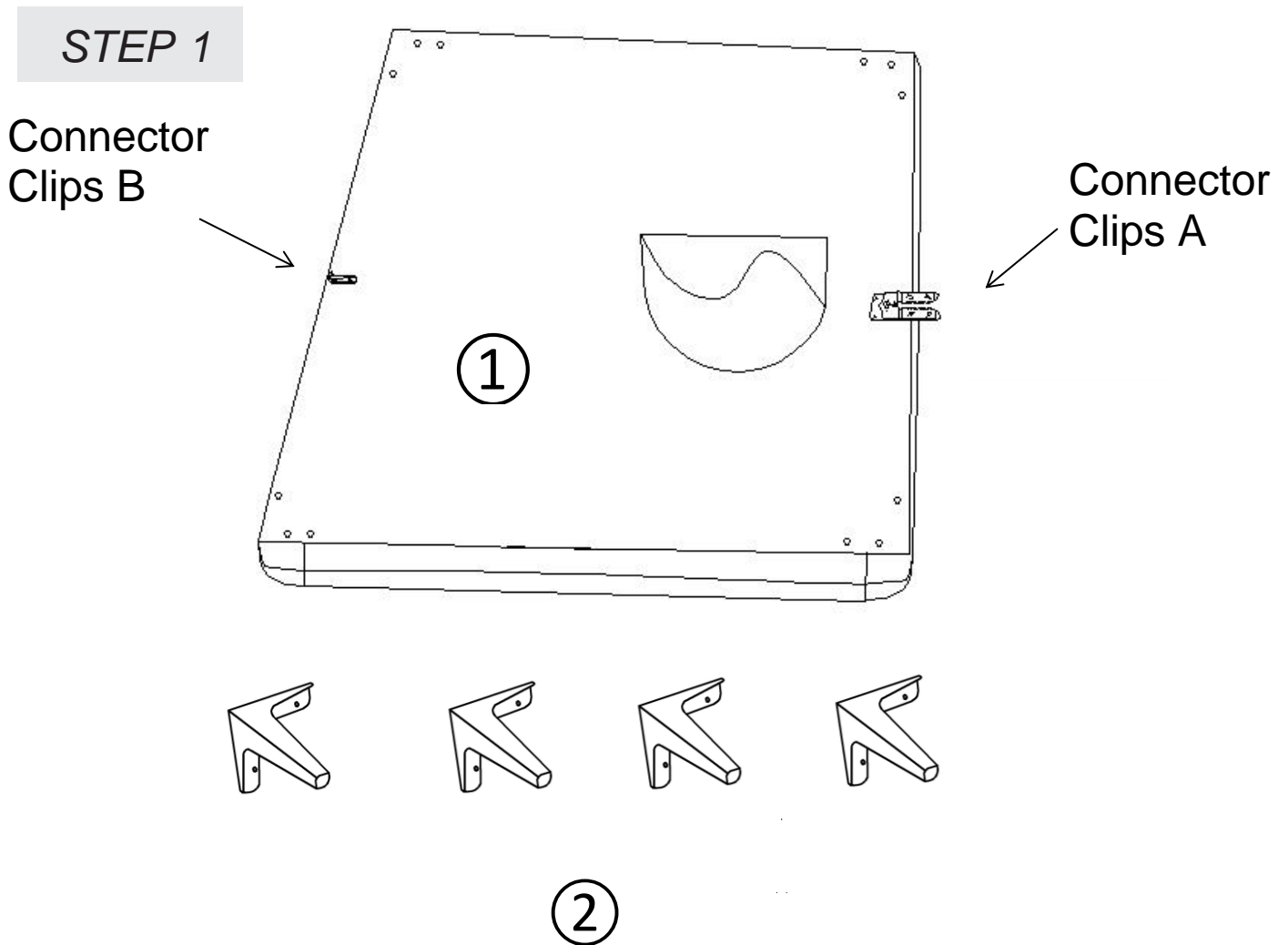
*Save all packaging until assembly is completed*

# ASSEMBLY STEPS

THE ASSEMBLY STEPS OF THE ARMLESS CHAIR, CORNER SEAT AND OTTOMAN ARE THE SAME. THE FOLLOWING ILLUSTRATION SHOWS THE ASSEMBLY STEPS OF THE OTTOMAN.

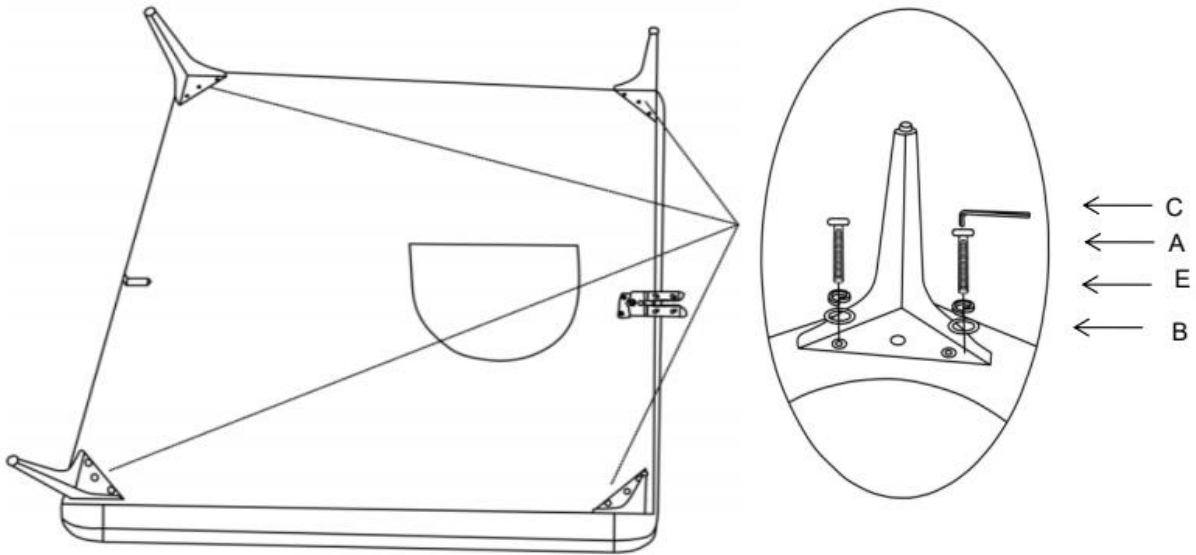
Step 1:

1. Place the Ottoman Body (1) on a carpeted or padded surface.
2. Open the Zipper strip on the bottom of the Ottoman Body (1) and remove the 4 Legs (D) and hardware bag from within.



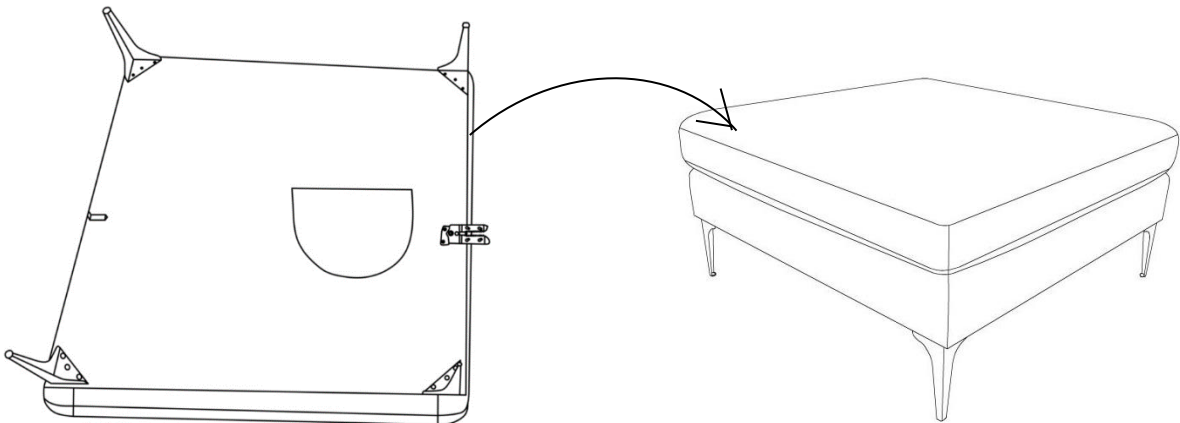
## STEP 2

1. Attach each Leg (D) to the bottom of Ottoman Body (1) by using 1 Bolt (A) and 1 Flat Washer (B) as shown.
2. Repeat the same steps for the other 3 Legs (2).
3. Tighten the Bolts (A) by using the included Allen Wrench (C) as shown.



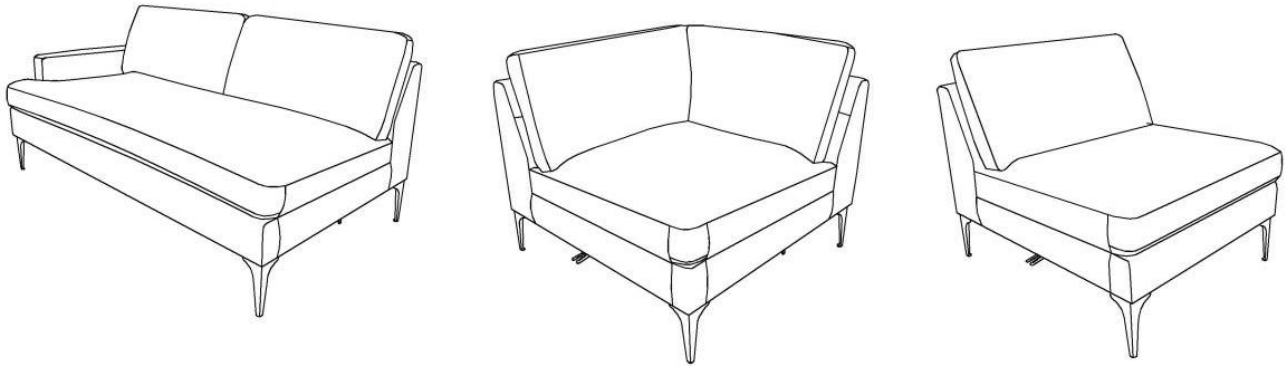
## STEP 3

1. Close the Zipper strip on the bottom of the Ottoman (1).
2. Carefully turn over the assembled Ottoman as shown.



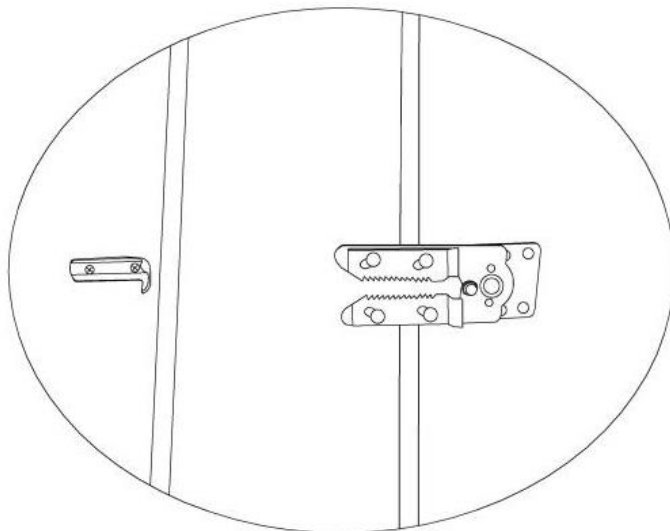
## STEP 4

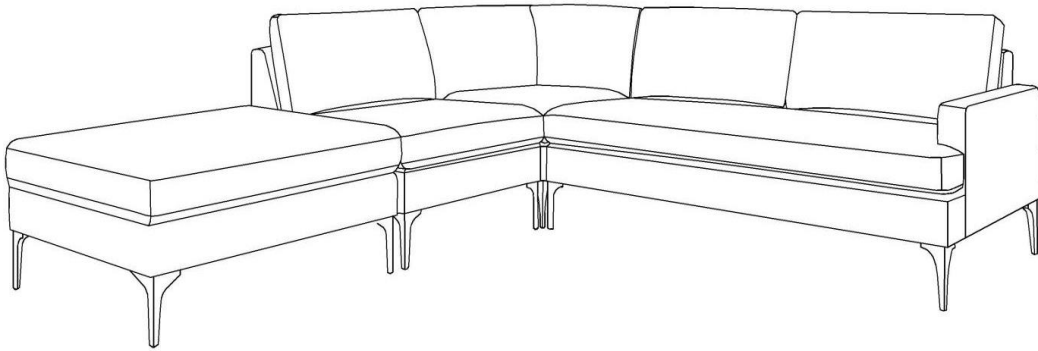
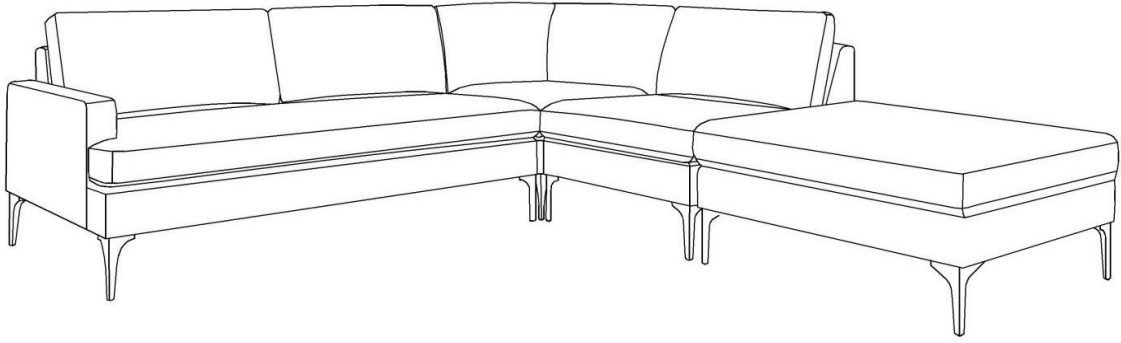
1. The same assembling process should be repeated for the LAF Corner Seat and Armless Chair.
2. Once all seats are assembled, place all the Back Cushions on the LAF, Corner seat and Armless Chair.



## STEP 5

1. To connect the sofa parts, simply align the pre-assembled clips and push the pieces together slowly until the clips click into place.
2. The configuration options are listed below.







# CARE & MAINTENANCE



Do not put hot items directly on furniture surface.



Do not clean furniture with harsh cleansers or polish.



Dust and pickup spills using a clean, non- colored, lint- free cloth.



Stains may be removed with mild soap solution and a damp cloth.



Do not place furniture under direct sunlight.



Do not place furniture near heating or cooling vents.



Do not write on furniture without a padded barrier to protect the surface