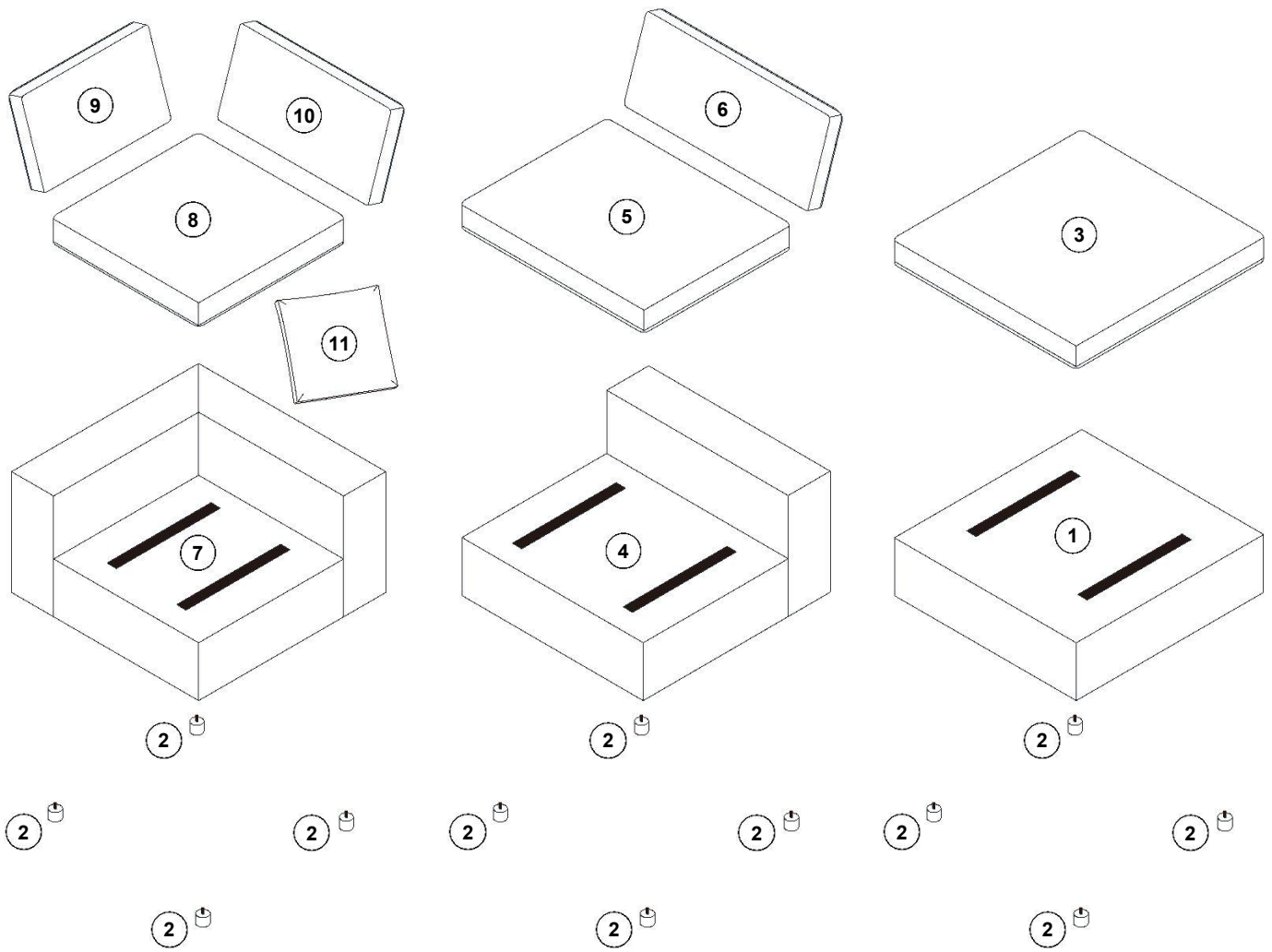
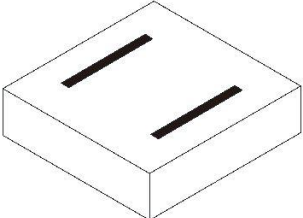

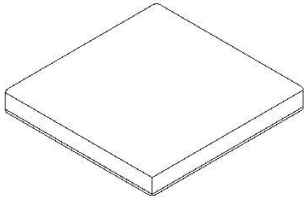


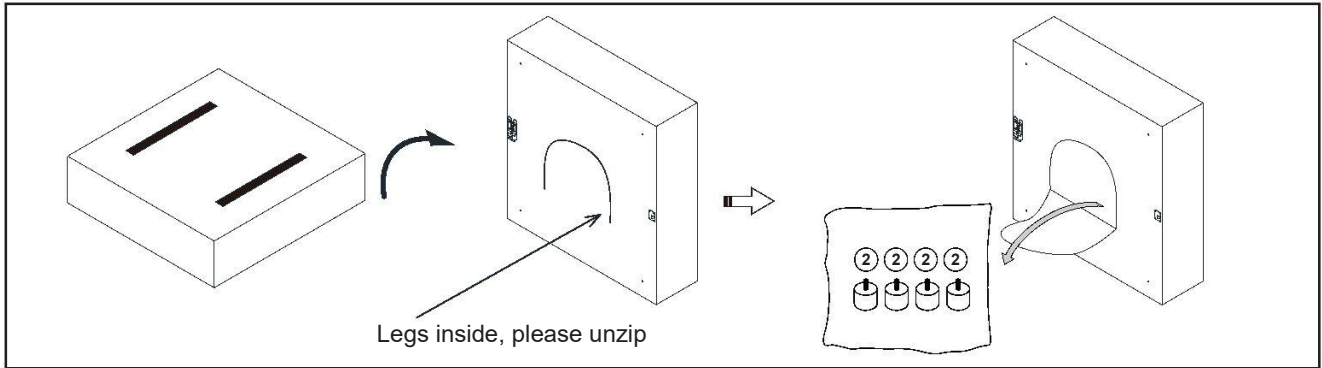
# **Cali Modular Sofa**

## **Assembly Instructions**

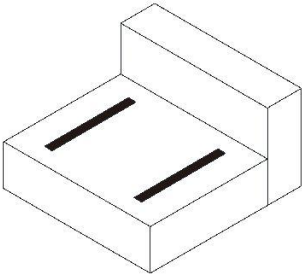
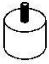
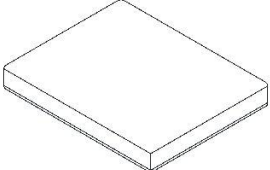
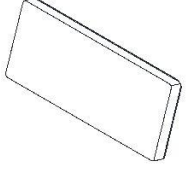


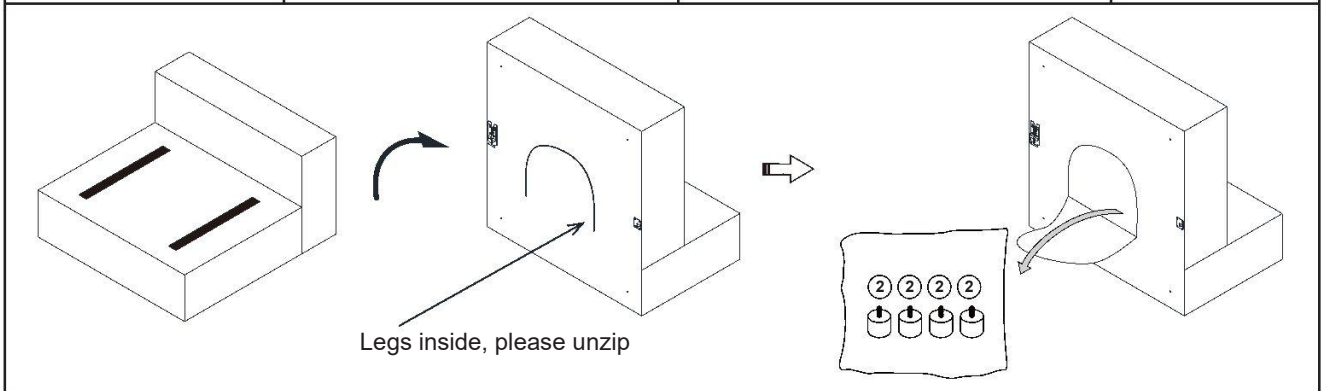
**COMPONENTS LISTED for  
Ottoman**

LABEL	PICTURE	DESCRIPTION	QTY
<b>1</b>		<b>Ottoman Body</b>	<b>1</b>
<b>2</b>		<b>Leg</b>	<b>4</b>
<b>3</b>		<b>Seat Cushion</b>	<b>1</b>

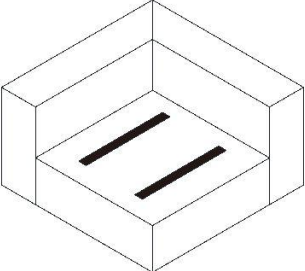
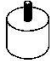
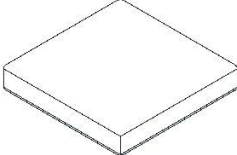
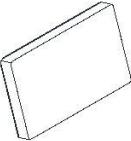
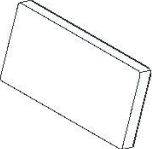
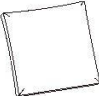


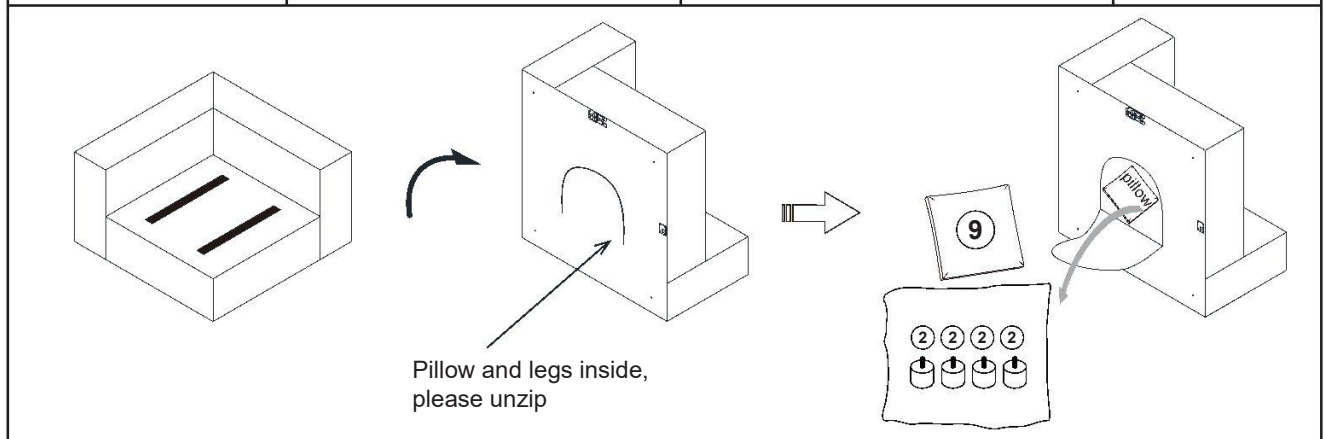
## COMPONENTS LISTED for Armless Chair

LABEL	PICTURE	DESCRIPTION	QTY
<b>4</b>		<b>Armless Chair Body</b>	<b>1</b>
<b>2</b>		<b>Leg</b>	<b>4</b>
<b>5</b>		<b>Seat Cushion</b>	<b>1</b>
<b>6</b>		<b>Back Cushion</b>	<b>1</b>



## COMPONENTS LISTED for Corner Seat

LABEL	PICTURE	DESCRIPTION	QTY
7		<p style="text-align: center;"><b>Corner Seat Body</b></p>	<p style="text-align: center;"><b>1</b></p>
2		<p style="text-align: center;"><b>Leg</b></p>	<p style="text-align: center;"><b>4</b></p>
8		<p style="text-align: center;"><b>Seat Cushion</b></p>	<p style="text-align: center;"><b>1</b></p>
9		<p style="text-align: center;"><b>Back Cushion</b></p>	<p style="text-align: center;"><b>1</b></p>
10		<p style="text-align: center;"><b>Back Cushion</b></p>	<p style="text-align: center;"><b>1</b></p>
11		<p style="text-align: center;"><b>Pillow</b></p>	<p style="text-align: center;"><b>1</b></p>



## BEFORE BEGINNING ASSEMBLY:



*Read instructions cover to cover*



*Have two adults on hand for assembly*



*Do NOT assemble on flooring or carpet. Assemble on a clean non-marring surface (ex: packing foam)*



*Save all packaging until assembly is completed*

## ASSEMBLY STEPS

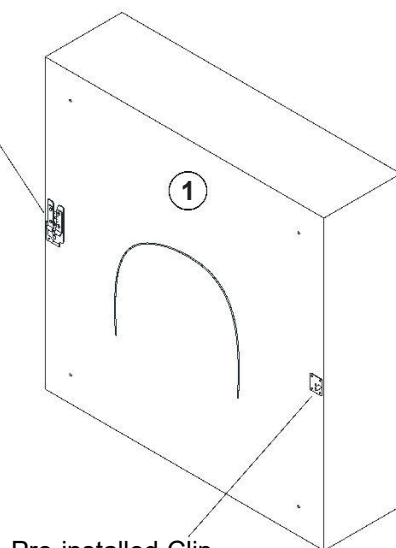
THE ASSEMBLY STEPS OF THE ARMLESS CHAIR, CORNER SEAT AND OTTOMAN ARE THE SAME. THE FOLLOWING ILLUSTRATION SHOWS THE ASSEMBLY STEPS OF THE OTTOMAN.

Step 1:

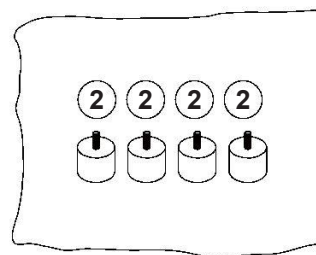
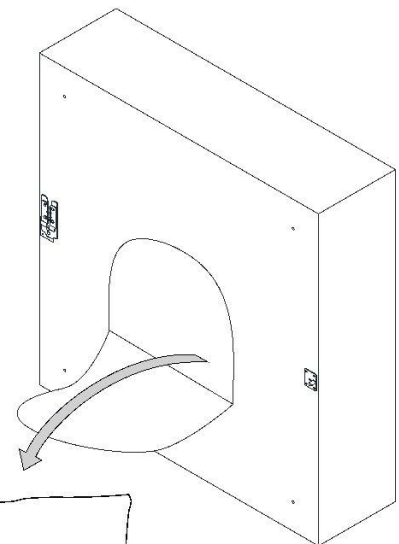
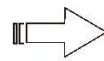
1. Place the Ottoman Body (1) on a carpeted or padded surface.
2. Open the Zipper strip on the bottom of the Ottoman Body (1) and remove the 4 Legs (2) from within.

### STEP 1

Pre-installed Clip  
on the bottom of ottoman

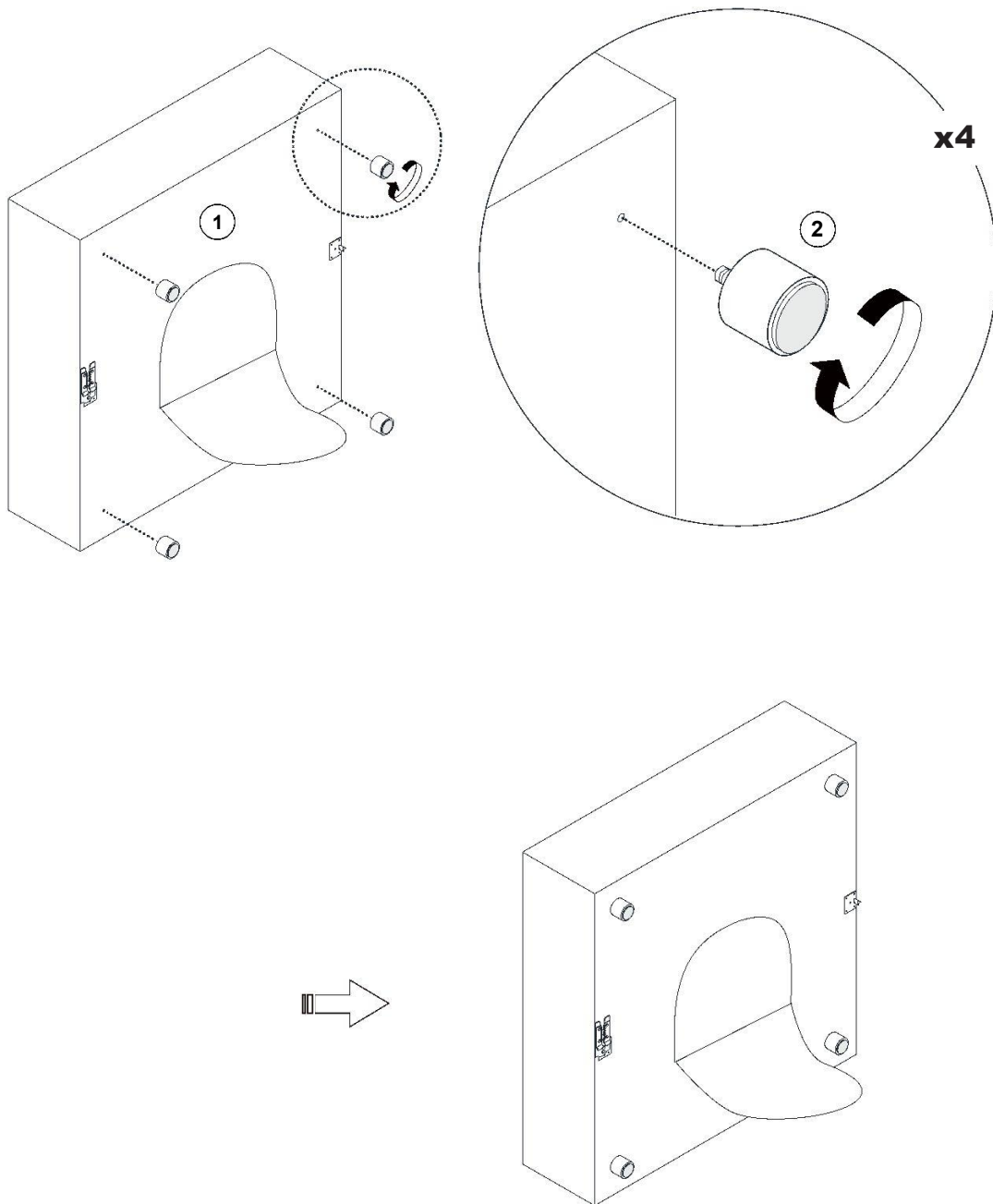


Pre-installed Clip  
on the bottom of ottoman



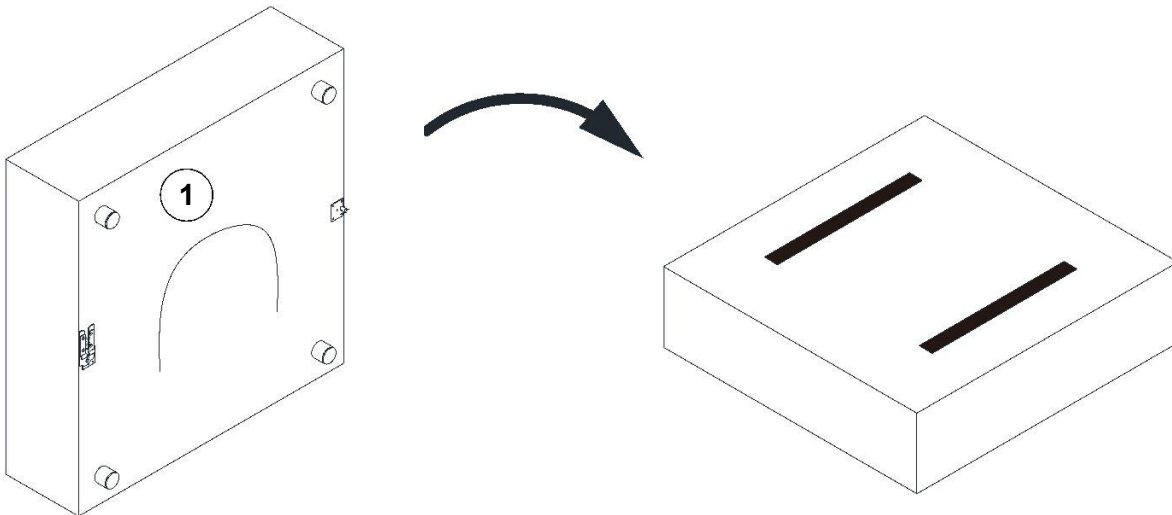
## STEP 2

1. Screw Leg (2) into the bottom of Ottoman Body (1) as shown.  
Repeat the same steps for the other 3 Legs (2).



### STEP 3

1. Close the Zipper strip on the bottom of the Ottoman (1).
2. Carefully turn over the assembled Ottoman as shown.

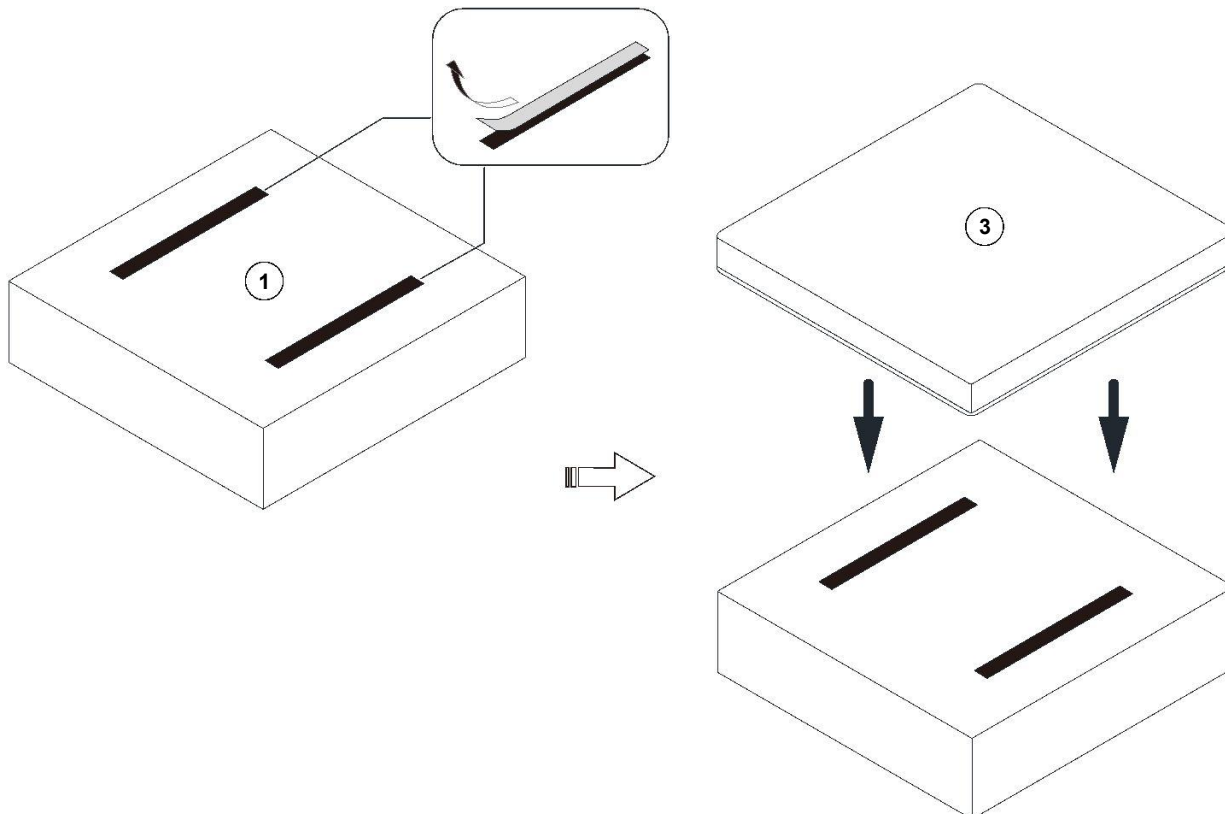


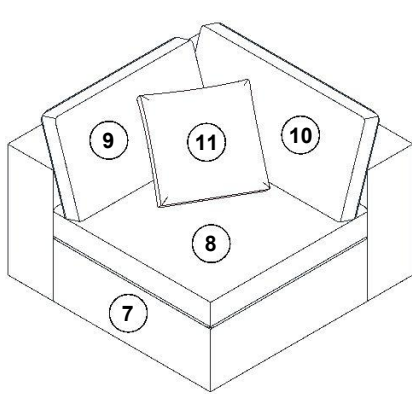
### STEP 4

Attach the Seat Cushion (3) to the assembled ottoman by aligning the velcro strips as shown.

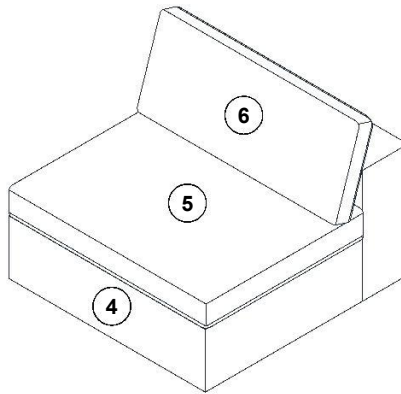
The same process should be repeated for the Armless Chair and Corner Seat .

Once all seats are assembled, place the Back Cushions (5), (6), (8), (9), (10), (11) on the Armless Chair (4) and Corner seat (7)

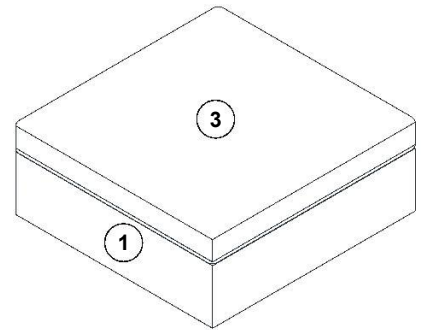




Corner



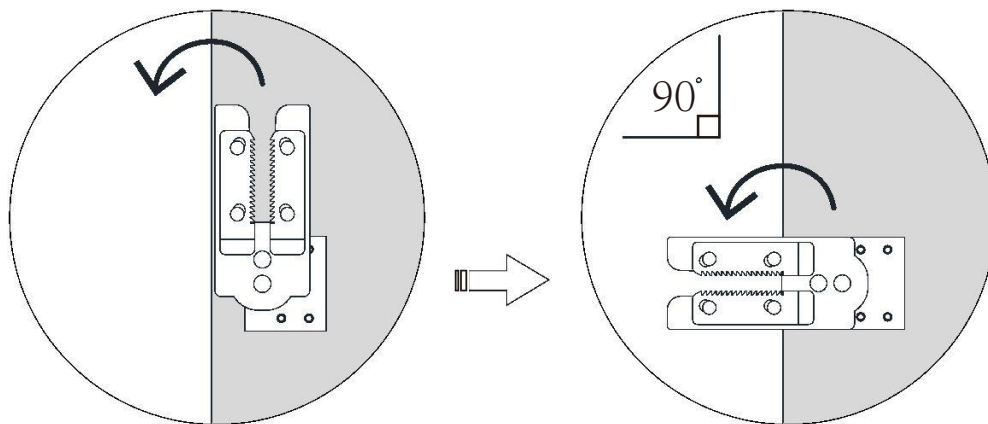
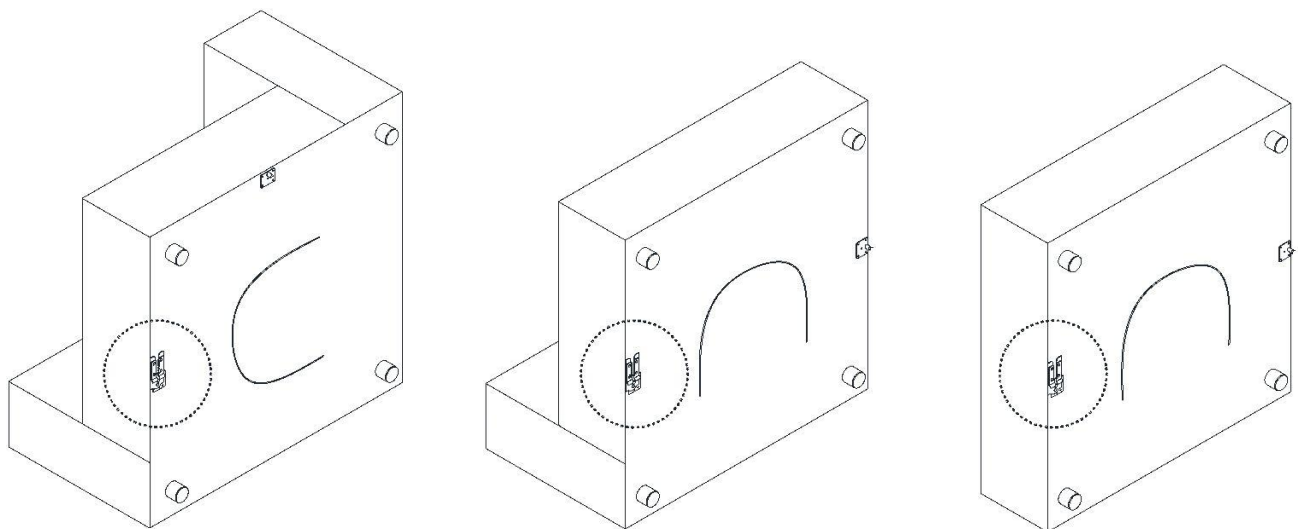
Armless



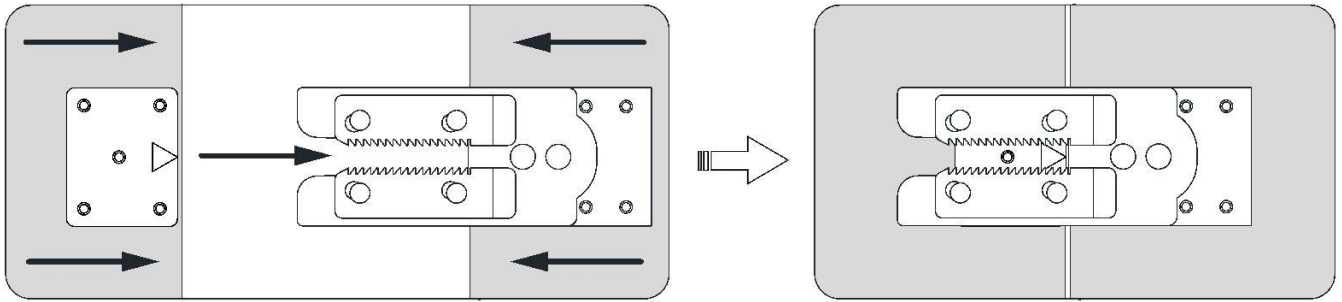
Ottoman

**STEP 5**

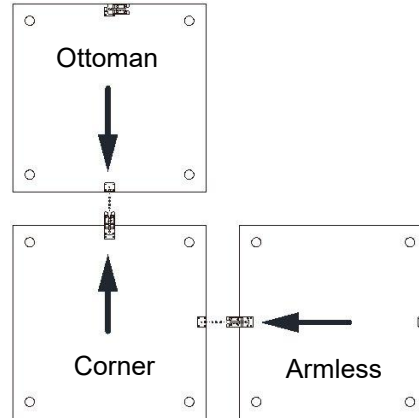
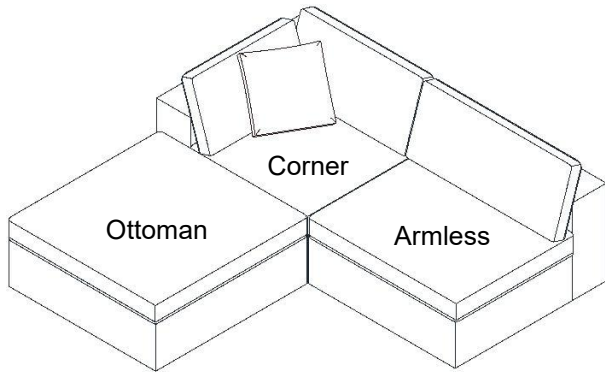
This modular sofa has 3 configuration options. To connect the sofa parts, simply align the pre-assembled clips and push the pieces together slowly until the clips click into place. The configuration options are listed below.



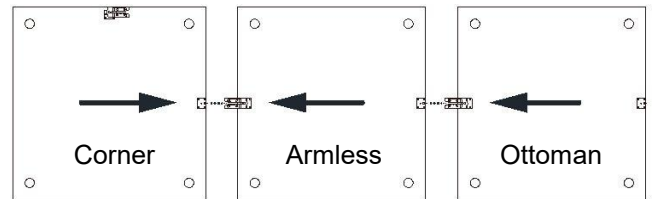
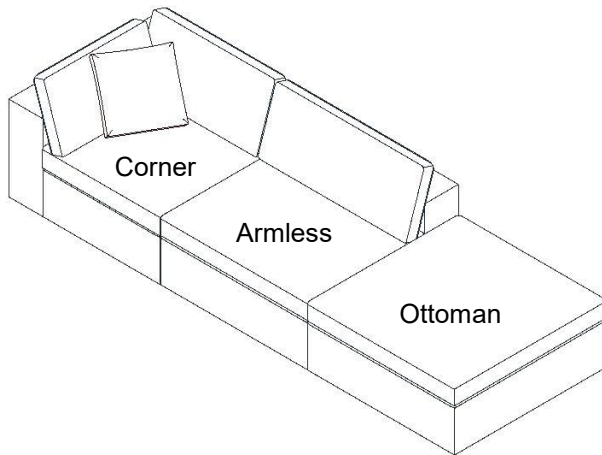




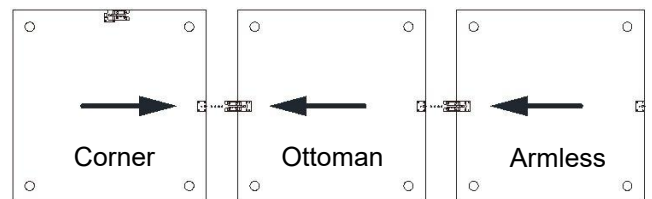
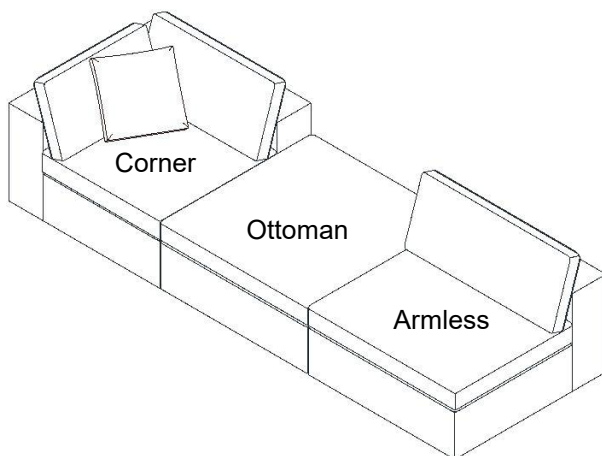
**Option A:**



**Option B:**



**Option C:**



# CARE & MAINTENANCE



**Do not put hot items directly on furniture surface.**



**Do not clean furniture with harsh cleansers or polish.**



**Dust and pick up spills using a clean, non-colored, lint-free cloth.**



**Stains may be removed with mild soap solution and a damp cloth.**



**Do not place furniture under direct sunlight.**



**Do not place furniture near heating or cooling vents.**



**Do not write on furniture without a padded barrier to protect the surface.**