







VICTORIA BEDSIDE TABLE

Assembly instructions:

PARTS LIST

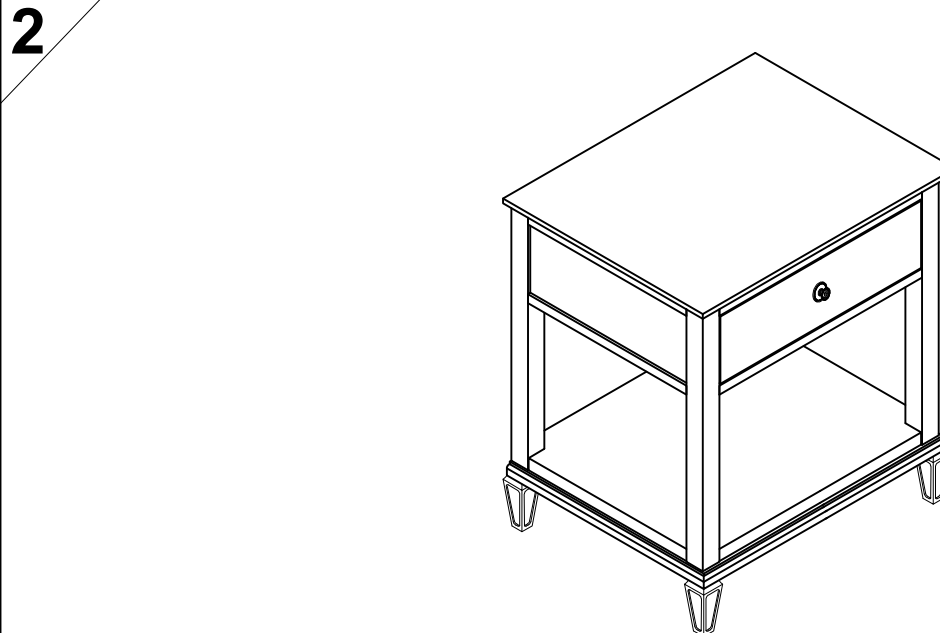
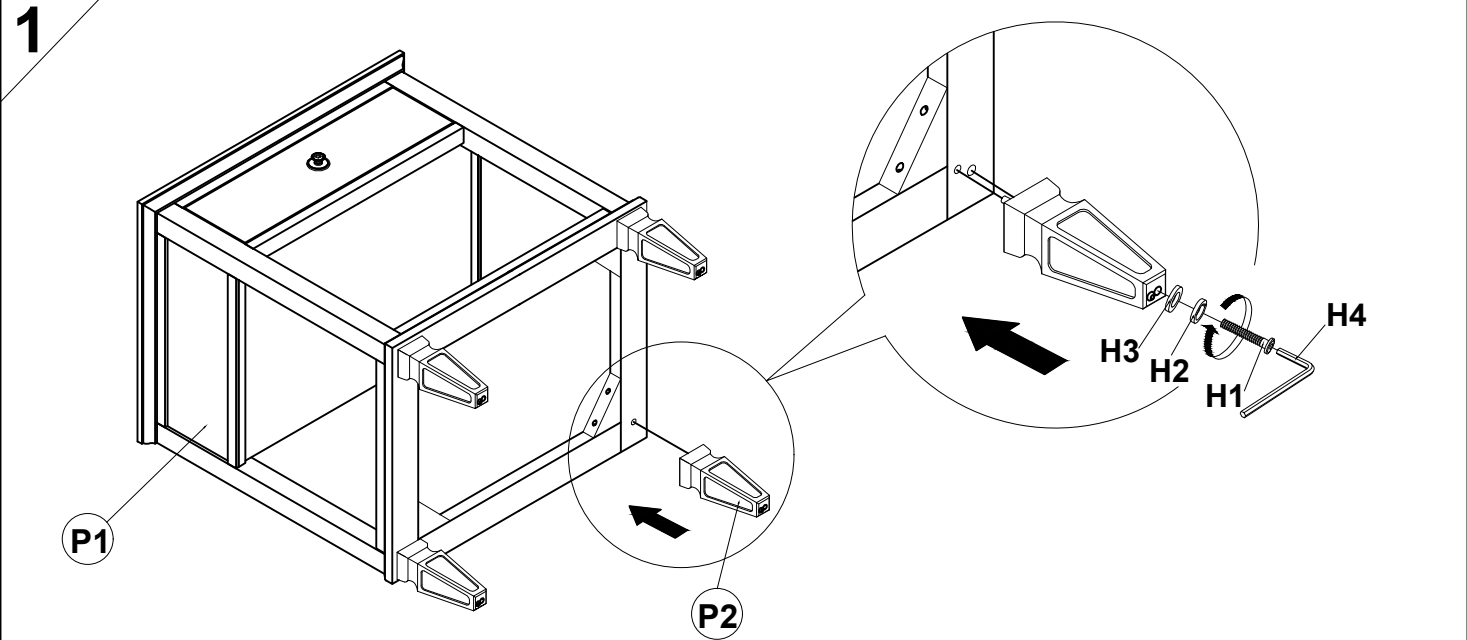
No.	DESCRIPTION	IMAGE	QTY
P1	CABINET BODY		1
P2	LEG		4

HARDWARE LIST

No.	DESCRIPTION	IMAGE	QTY
H1	BOLT		4
H2	SPRING WASHER		4
H3	FLAT WASHER		4
H4	ALLEN KEY		1

NOTE: PO# is located underneath/ at the back panel of each item . Please be prepared to provide this # should any claim be necessary.

CAUTION: Item is heavy. Assembly should be performed by two people.



ASSEMBLED COMPLETE