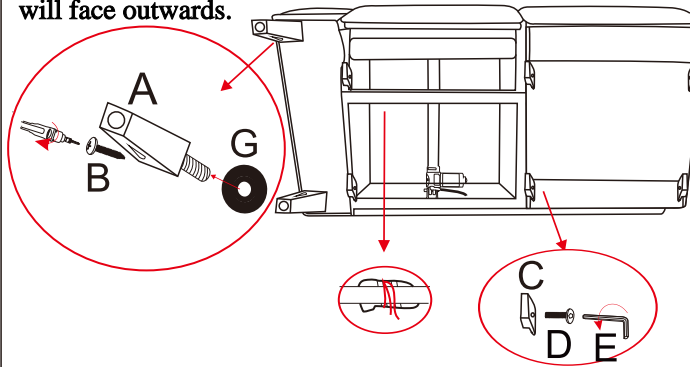




LIVING SPACES

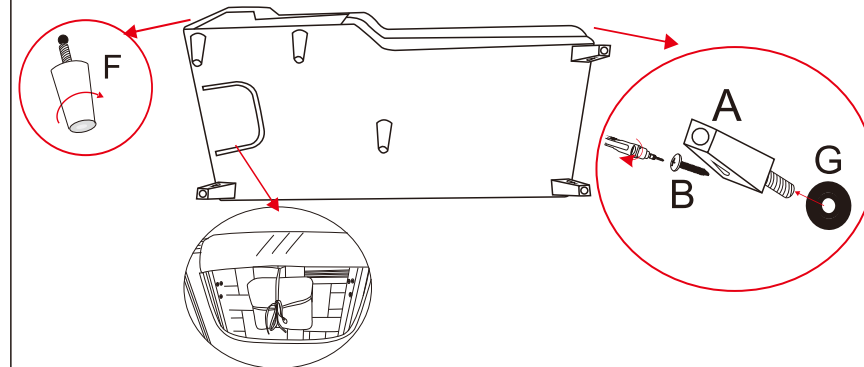
- 1 a) Flip over the LAF sofa, unzip the dust cover and remove the parts pouch from the metal frame.
 b) Attach the six Plastic legs(C) with bolts (D) by Allen Wrench (E).
 c) Put the Plastic washer(G) on each Tapered wood leg (A), then put it into the hole and keep turning it clockwise until naturally tightened up into the correct position where it won't turn any further, then use a screwdriver to assemble the Screws (B) into the Pilot hole as tight as you can.

Note: The rear leg will face backwards and the front leg will face outwards.

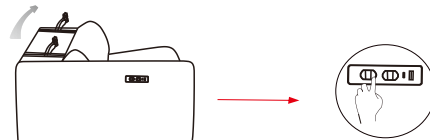


- 2 a) Flip over the RAF chaise, unzip the dust cover and remove the parts pouch from the metal frame.
 b) Attach the three Plastic legs(F) by turning it clockwise until fully tightened.
 c) Put the Plastic washer(G) on each Tapered wood leg(A), then put it into the hole and keep turning it clockwise until naturally tightened up into the correct position where it won't turn any further, then use a screwdriver to assemble the Screws (B) into the Pilot hole as tight as you can.

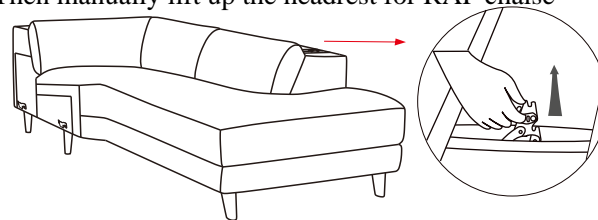
Note: The rear leg will face backwards and the front leg will face outwards.



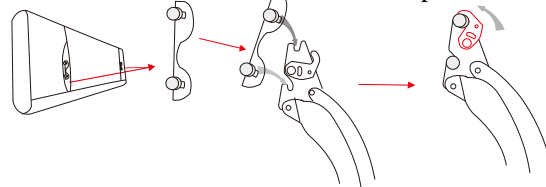
- 3 Please plug in the LAF sofa, then push the 'headrest up' button to raise the headrest mechanism arms to the fullest extension.



Then manually lift up the headrest for RAF chaise

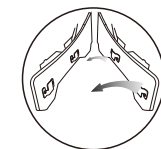
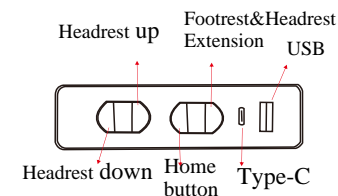
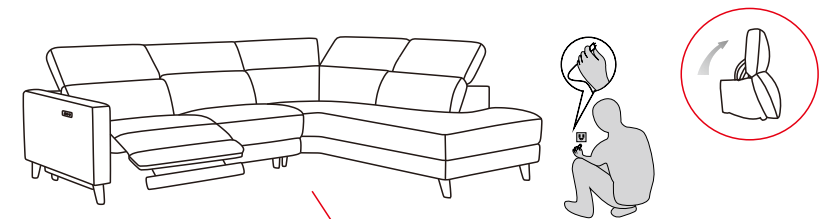


Align the pins inside the headrest pad with the notches on the headrest mechanism arms. Slide into place and latch to lock.



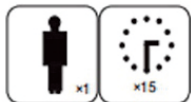
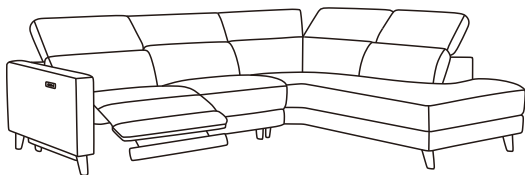
- 4 Connect the brackets on both sofas. Plug in the cable and enjoy.

Note: RAF recliner has 1 power seat with power headrest and others have ratchet headrests manually with any angles you like.

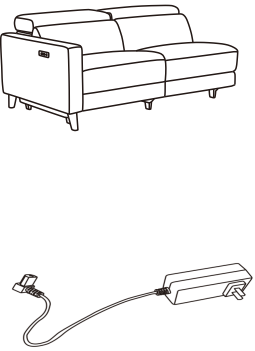


343712
 KM.6358B-Return sectional with RAF Chaise-
 G0402810

**KIT-BLAKE CREAM 2PC POWER RECLINING
 SECTIONAL W/RAF CHAISE**





No.	DESCRIPTION	SPEC		QUANTITY	NOTES
1	POWER PLUG -US STANDARD	POWER LAF SOFA WITH POWER HEADREST		1	98" LONG POWER CORD